

Clariflo®

POWER

WASHER



POWER WASHER

MODEL NO: PLS135AH/PLS200AH/
DLS200AL/PLS165AH

OPERATION & MAINTENANCE
INSTRUCTIONS



LS0818 - ISS 10

INTRODUCTION

Thank you for selecting this CLARKE Power Washer for your cleaning requirements.

This booklet contains important information about its operation and maintenance and should be read in conjunction with a similar guide produced by the manufacturers of the engine fitted to this particular unit.

Please read both of these carefully before using the machine.

GUARANTEE

This CLARKE product is guaranteed against faults in manufacture for twelve months from the date of purchase.

In case it is necessary to make a claim under this scheme, please retain your receipt or invoice to show when and where your purchase was made.

This guarantee will not be valid if the product is found to have been abused in anyway, or used otherwise than for its intended purpose.

Under the Terms of this Warranty, any repair or replacement can only be carried out by Clarke International Limited, or one of our authorised dealers.

Where possible any machine requiring attention should be returned to the dealer from whom it was purchased. Where this is not appropriate, please contact Clarke International, Service Department, Tel. 020 8988 7400

This guarantee does not affect your statutory rights.

FEATURES

These fully portable machines incorporate a variable pressure control, together with a fan or jet spray, and may be used with or without a detergent. Although these machines were designed to operate using a mains water supply, they will also work satisfactorily with a supply which is under positive pressure, i.e. from an elevated water tank etc.

IMPORTANT: When using the mains water supply, you must ensure you comply with all local bye laws.

GENERAL SAFETY PRECAUTIONS

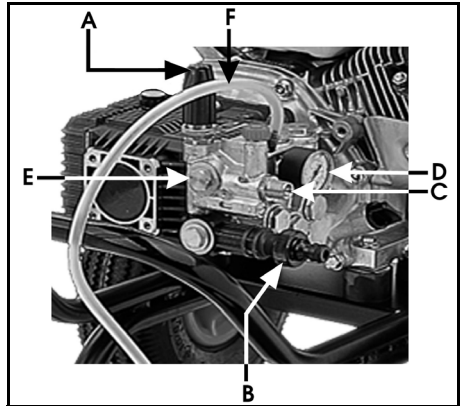


WARNING: WATER AT HIGH PRESSURE CAN BE DANGEROUS AND CAN CAUSE DAMAGE TO PERSONS OR PROPERTY IF THE OPERATOR IS CARELESS. NEVER ALLOW ANYONE TO OPERATE THIS EQUIPMENT UNLESS THEY ARE THOROUGHLY RELIABLE, AND FAMILIAR WITH THE SAFETY PRECAUTIONS.

- NEVER direct the spray towards any person or animal.
- NEVER direct the spray towards electrical wiring or equipment.
- NEVER hold your finger over the high pressure nozzle.
- NEVER allow children to use this machine.
- NEVER operate the machine with any of the covers removed.
- NEVER attempt any repairs to this machine unless you are properly qualified.
- NEVER supply any liquid other than water to the water inlet.
- NEVER use the chemical injection facility to introduce solvents, e.g. paint thinners, petrol, oil etc.
- When making a connection directly to the water mains supply you must ensure that it incorporates a device suitable to prevent liquids syphoning back from the power washer into the mains pipework.
- After the engine has been stopped and the water supply turned off, but before disconnecting any hose or accessory, ALWAYS release any residual pressure in the system by operating the trigger.
- ALWAYS keep the machine itself dry and well clear of water spray.
- When not in use, ALWAYS disconnect from the water supply, and ensure the system is completely drained. Store in a cool dry location.
- When using the chemical injection facility, use only the chemical cleaning agents (detergents) that are approved for power washers. CLARKE Traffic Film Remover or CLARKE Wash and WAX (available from your dealer), is recommended.

ASSEMBLY AND PREPERATION FOR USE

- A - Pressure Regulator Knob
- B - Low Pressure Water Inlet
- C - High Pressure Water Outlet
- D - Pressure Guage
- E - Unloader Valve
- F - Detergent Hose

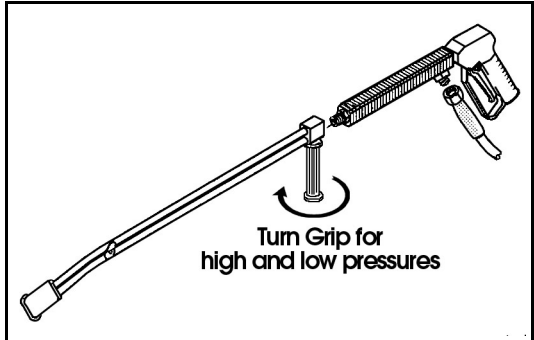


1. Attach the handle to the frame, using the plastic screws supplied.
2. Assemble the lance, by screwing the two halves together securely, with the hand grip in any position convenient to the operator.
3. Two nipple sizes are supplied. That with the larger bore, is the low pressure nipple, and should be screwed in to the tube nearest to the hand grip, using a suitable socket. The smaller bore nipple, is therefore screwed into the tube furthest from the hand grip.
4. Connect the high pressure hose to the upper connection (C) on the unloader valve,
 - Fit the dowty washer between the hose and upper connection (C).
5. Connect the other end of ther hose to the connection at the lance, ensuring the seals are correctly in place.
6. The hose from the mains supply is connected to the lower connection (B).
 - A good quality hose of at least 1/2" should be used, and is available from DIY, hardware and gardening supply stores. ALL connections must be tight to prevent leaks.
7. Check the pump oil level using the sight glass, but be aware that if the level is not visible, it may be as a result of over-filling, and should be checked by removing the filler plug, and checking. Top up where necessary with the recommended oil.
8. Refer to the handbook supplied for the engine, and check the engine oil level, topping up where necessary with the recommended oil.

OPERATION

1. Turn the water supply fully ON at the mains.
2. Refer to the engine handbook, and start the engine. Move the speed lever to MAX.
3. To set the lance at high pressure, turn the hand grip of the lance clockwise (i.e. screwed 'IN'). Low pressure is set by screwing the grip 'OUT'.

NOTE: Low pressure setting is used for detergent spraying.



4. Check that there are no leaks in the line connections. Switch off the engine and make the necessary repairs before restarting the engine and pressing the trigger of the lance.
5. With the lance set at high pressure, (i.e. screwed 'in'), the pressure may be regulated by turning the adjuster knob on the unloader valve.
6. The low pressure setting is used for detergent pick-up (see below). ALWAYS ensure the filter is attached to the end of the pick-up tube, and is completely submerged in the detergent. It is not necessary to adjust the pressure at the unloader valve when set to low pressure.

NOTE: If there is difficulty in starting the engine, particularly the diesel model, get an assistant to fully depress the lance trigger whilst you try to start. This will relieve any pressure in the pump making it easier to start.

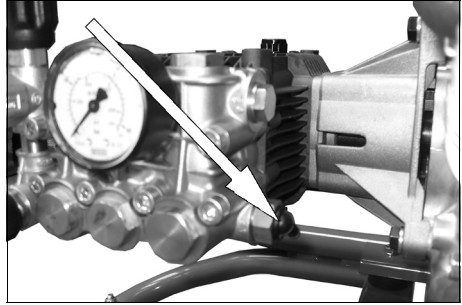
NOTE: Be aware that the pump delivers a considerable pressure. If the lance is set to high pressure and the trigger is depressed, you will experience a kick back. Ensure you are prepared for this, and hold the lance firmly. DO NOT let children to hold or operate the lance.

THERMAL RELIEF VALVE (PLS 200AH, DLS 200AL)

NOTE: There may be a thermal relief valve and hose fitted to your pressure washer.

If the pump is run in bypass mode for a long time, the temperature of the water inside will increase, when this happens the thermal relief valve opens and will discharge some of the hot water.

This is to prevent damage to the pressure seal.



CAUTION: THE DISCHARGED WATER WILL BE HOT AND EXTRA CARE SHOULD BE TAKEN.

CHEMICAL CLEANING AGENTS

Chemical cleaning agents (detergents) may be injected into the low pressure spray. This is particularly useful for washing cars, greasy parts, or oil spots.

To inject a detergent, insert the clear plastic hose with filter attachment into the detergent container, ensuring it is completely submerged.

NOTE: ONLY use detergents designed for use with power washers. We recommend the use of CLARKE Traffic Film Remover.

When detergent injection is required, screw the lance hand grip out (anticlockwise), to the low pressure setting, and the detergent will automatically be drawn into the water supply.

Spray the detergent on to the surface and allow it to work itself into the grime.

To rinse, set the lance to it's high pressure setting, and blast off the off the dirt.

After cleaning, suspend the detergent hose in a container of clean water. Set the lance to low pressure, and with the engine running, and the mains water supply 'on', depress the trigger of the lance, and thoroughly flush out the system.

MAINTENANCE

If detergents have been used, it is important to flush the system with clean water for a few minutes after use.

If there is a danger of freezing, anti freeze should be mixed with the flush water, or the system must be completely drained.

After the final flush, stop the engine; do not allow it to idle for longer than 15 seconds.

STORAGE

Store in an upright position, completely drained of water, in a dry location.

ENGINE

Refer to the engine handbook and service accordingly. NOTE: Engine oil should be checked regularly.

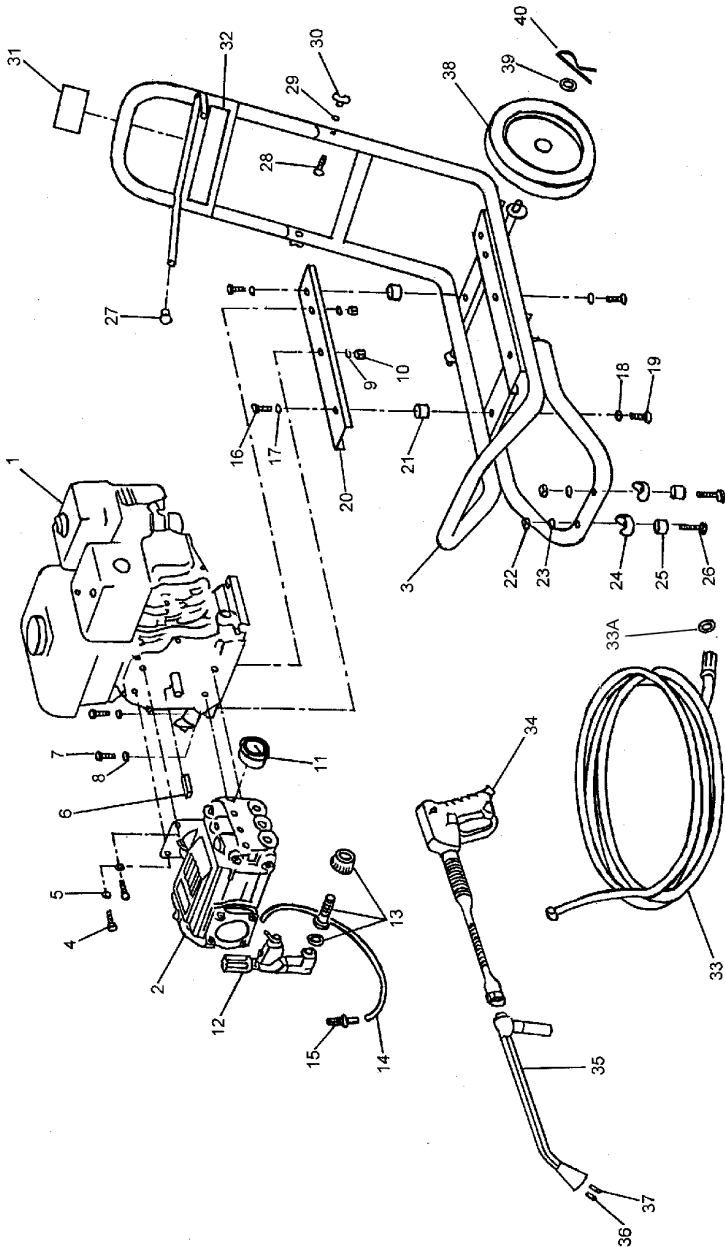
PUMP

Change the oil after the first 50 hours of service and every 500 hours thereafter. DO NOT attempt to carry out any mechanical repairs yourself. Please contact your CLARKE dealer for servicing and repairs.

PARTS LIST (PLS200AH & DLS200AL)

No.	Description	Qty	Part No.	No.	Description	Qty	Part No.
1	Engine (200AH) 11HP	1	8000081	17	Washer M8	4	3044582
1	Engine (200AL) 11HP	1	8000818	18	Washer M8	4	3044582
2	Pump	1	AR20001	19	Screw M8	4	3044506
3	Frame	1	8050490	20	Engine Bracket	2	8050700
4	Screw	4	3040526	21	Anti Vibration Mount	4	8950357
5	Washer	4	3040583	22	Nut M8	2	3040611
6	Key	1	3040481	23	Washer M8	2	3044576
7	Screw (200AB)	4	3044508	24	Saddle	2	2100308
	Screw (200AH)	4	3044509	25	Feet	2	2100313
	Screw (200AL)	4	3044518	26	Screw	2	3044508
8	Washer M8 (200AB)	4	3044576	27	Plastic Insert	2	2000337
	Washer M10 (200AH)	4	3044577	28	Screw	2	3044532
	Washer M10 (200AL)	4	3044577	29	Washer	2	1301402
9	Washer M8 (200AB)	4	3044576	30	Knob	2	3044531
	Washer M10 (200AH)	4	3044577	31	Label (Spec.)	1	8950880
	Washer M10 (200AL)	4	3044577	32	Label (POWERWASH)	1	8950885
10	Nut M8 (200AB)	4	3040611	33	Hose	1	AR13004
	Nut M10 (200AH)	4	3040612	33A	Dowty Washer	1	AR1540110
	Nut M10 (200AL)	4	3040612	34	Lance Handle Assy	1	AW010431806
11	Pressure Gauge	1	AR13003	35	Twin Lance	1	AW004392403
12	Unloader	1	AR13007	36	Nozzle HP	1	AW004180210
13	Hose Connection	1	AR15504	37	Nozzle LP	1	AW004180221
14	Chemical Hose	1	AR15502	38	Wheel 260x20	2	2100280
15	Chemical Filter	1	AR15503	39	Washer	2	3044583
16	Screw M8x12	4	3044506	40	Split Pin	2	3044910

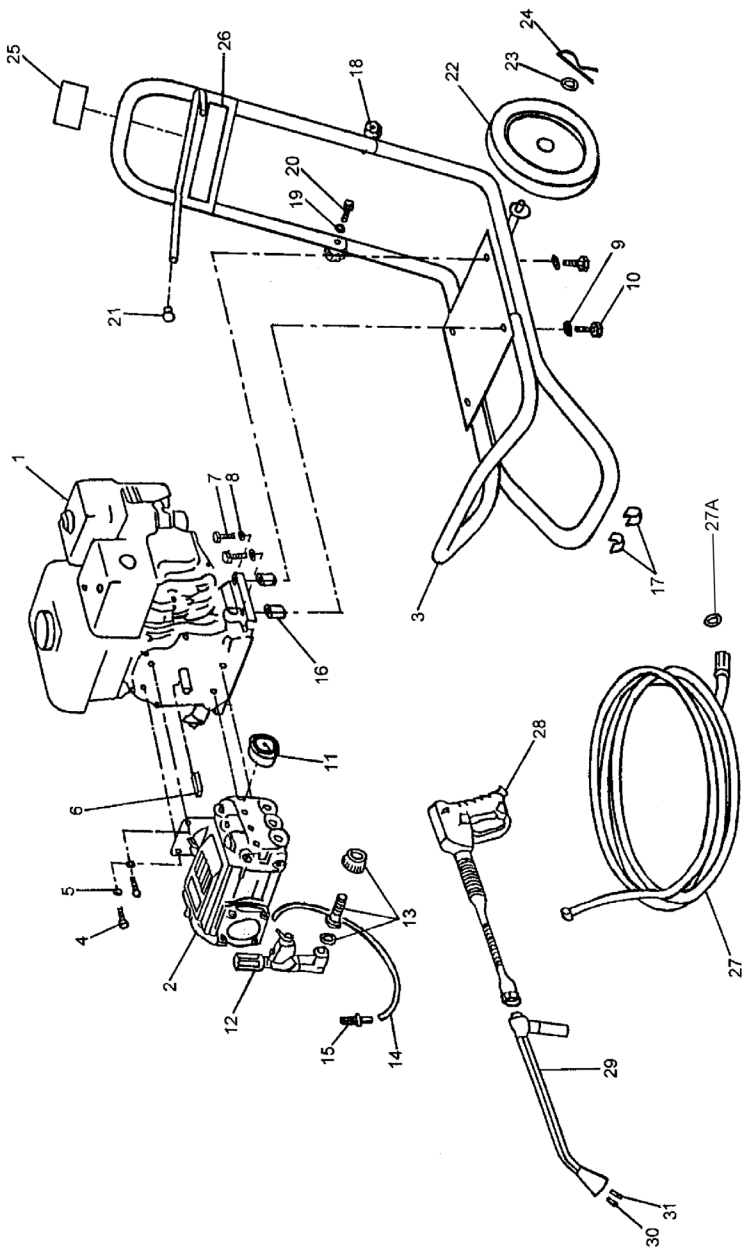
PARTS DIAGRAM (PLS200AH & DLS200AL)



PARTS LIST (PLS135AH & PLS165AH)

No.	Description	Qty	Part No.	No.	Description	Qty	Part No.
1	Engine (135AH)	1	8000002	15	Chemical Filter (165AH)	1	AR15509
1	Engine (165AH)	1	8000004	16	Anti Vibration Mount	4	8950357
2	Pump (135AH)	1	AR13001	17	Plastic Foot	2	2100302
2	Pump (165AH)	1	AR16001	18	Knob M8x50	2	3044531
3	Frame	1	8050480	19	Washer	2	1301402
4	Screw	4	3040490	20	Screw	2	3044530
5	Washer	4	3044576	21	Plastic Insert	2	8881015
6	Key	1	3040483	22	Wheel	2	2100280
7	Screw (130AB)	4	3044504	23	Washer (135AH)	2	3044573
7	Screw (130AH)	4	3044503	23	Washer (165AH)	2	3044583
7	Screw (165AH)	4	3044503	24	Split Pin	2	3044910
8	Washer	4	3044582	25	Label (Spec.)	1	8950880
9	Washer	4	3044582	26	Label (POWERWASH)	1	8950885
10	Nut	4	3044506	27	Hose	1	AR13004
11	Pressure Gauge	1	AR13009	27A	Dowty Washer	1	AR1540110
12	Unloader (135AH)	1	AR13005	28	Lance Handle Assy	1	AW010431806
12	Unloader (165AH)	1	AR13006	29	Twin Lance	1	AW004392403
13	Hose Connection	1	AR15504	30	Nozzle HP (135AH)	1	AW004280210
14	Chemical Hose	1	AR15502	30	Nozzle HP (165AH)	1	AW004180210
15	Chemical Filter (135AH)	1	AR15503	31	Nozzle LP	1	AW004180221

PARTS DIAGRAM (PLS135AH & PLS165AH)



SPECIFICATIONS

	PLS135AH	PLS165AH	PLS200AH	DLS200AL
Engine Type	Honda	Honda	Honda	Honda
Engine Rating	5.5 HP	6.5 HP	11 HP	8.5 HP
Engine Speed	3400 RPM	3400 RPM	3400 RPM	3400 RPM
Max. Pressure	120 Bar	150 Bar	200 Bar	200 Bar
Max. Water flow	11 lpm	11 lpm	15 lpm	15 lpm
Max. Water temperature	50°C	50°C	50°C	50°C
Pump Oil Type	SAE20W/40	SAE20W/40	SAE20W/40	SAE20W/40
Measured Sound Power	107 dB	107 dB	101 dB	107 dB
Guaranteed Sound Power	110 dB	110 dB	104 dB	109 dB
Vibration	< 2.5 m/s ²	< 2.5 m/s ²	< 2.5 m/s ²	< 2.5 m/s ²
Tyre Pressure	30 PSI	30 PSI	30 PSI	30 PSI
Part No.	7330260	7330280	7330300	7330320

DECLARATION OF CONFORMITY



Clarke[®]
INTERNATIONAL

Hemndall Street, Epping, Essex CM16 4LG

DECLARATION OF CONFORMITY

This is an important document and should be retained.

Product Description: Petrol / Diesel Powered Washer
Model number(s): PLS200AH, PLS165AH, PLS135AH, DLS200AL
Date of Issue: 27/03/2017

Technical Documentation Holder: A.R. Pond
Clarke International
2a Shrubland Road
London E10,7RB
UK

We hereby declare that this product(s) complies with the following directive(s):

2000/14/EC Noise Emissions Directive (amended by 2005/88/EC).

The technical documentation required to demonstrate that the product(s) meet(s) the requirement(s) of the aforementioned directive(s) has been compiled and is available for inspection by the relevant enforcement authorities.

Signed:

J.A. Clarke
Director

Notified Body: N/A

Product Code	Serial / batch Number:	CE mark was first applied	Conformity Assessment Procedure:	Noise Related Value: l/h	Measured Sound Power Level: dB(A)	Guaranteed Sound Power Level: dB(A)
PLS200AH	7330300	2007	2000/14/EC Annex V	900	101	104
PLS165AH	7330285	2006	2000/14/EC Annex V	660	107	110
PLS135AH	7330265	2006	2000/14/EC Annex V	660	107	110
DLS200AL	7330320	2006	2000/14/EC Annex V	900	107	109

A SELECTION FROM THE VAST RANGE OF

Clarke®

QUALITY PRODUCTS

AIR COMPRESSORS

From DIY to industrial, Plus air tools, spray guns and accessories.

GENERATORS

Prime duty or emergency standby for business, home and leisure.

POWER WASHERS

Hot and cold, electric and engine driven - we have what you need

WELDERS

Mig, Arc, Tig and Spot. From DIY to auto/industrial.

METALWORKING

Drills, grinders and saws for DIY and professional use.

WOODWORKING

Saws, sanders, lathes, mortisers and dust extraction.

HYDRAULICS

Cranes, body repair kits, transmission jacks for all types of workshop use.

WATER PUMPS

Submersible, electric and engine driven for DIY, agriculture and industry.

POWERTOOLS

Angle grinders, cordless drill sets, saws and sanders.

STARTERS/CHARGERS

All sizes for car and commercial use.



PARTS & SERVICE: 0208 988 7400
E-mail: Parts@clarkeinternational.com or Service@clarkeinternational.com
SALES: UK 01992 565333 or Export 00 44 (0)1992 565335

Clarke INTERNATIONAL Hemnall Street, Epping, Essex CM16 4LG
www.clarkeinternational.com