

The T-plus is specially designed to create perfect branches quickly and easily, whilst the system remains in operation. The design of the T-plus is unique and responds precisely to the requirements of installers and their customers. The combination of a plunger, striking pin and a trigger sets the new standard in the creation of branches for systems in operation. The new branching mechanism (the trigger) means perfect installation everywhere, everytime. Once the pin is removed, the charge ignites and the striking pin shoots straight forward. This makes a clean cut in the pipe creating the branch. This makes it possible to make branches even where there is little available space. There is no need to use a hammer any more.

Areas of application

- Central heating and cooling installations.
- Potable installations.
- Solar installations.
- Fire protection systems.
- Industrial applications such as compressed air systems.

There are two types of T-plus available: a cast-iron version for thick-walled steel pipes and a brass version for copper pipes, thin-walled steel tubes and stainless-steel pipes.

Advantages

- Saves installation time and costs.
- Create branches while the system is still in operation.
- Draining is not necessary, so no air and dirt can get into the system.
- A perfect branch every time due to the trigger.
- Easy to create a branch, even where space is restricted.
- Optimum pipe seal.
- Anti-corrosion coating.
- Single use (one shot) trigger mechanism. The trigger is included with the T-plus.
- Simple preparatory installation with click-in nuts (on models from 1½").

Technical Specifications

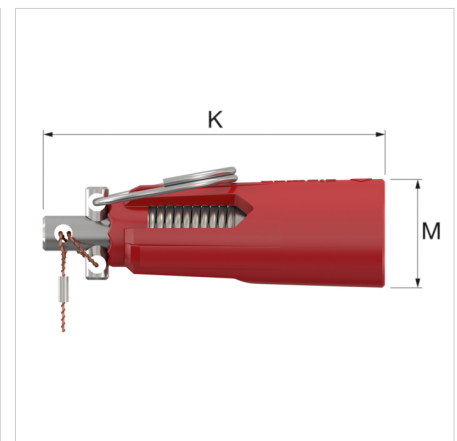
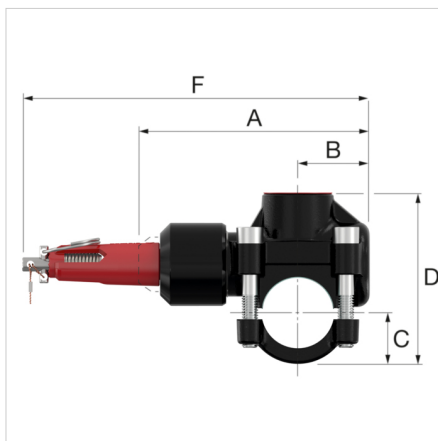
- Maximum permissible temperature: 130 °C.
- Maximum working pressure: 25 bar.

For steel pipes (St33, St34, St35, St37) from ½" to 3":

- Threaded pipes: NEN 3257 C Heavy, DIN 2441, BS 1387 Heavy (or lighter)/ISO 9329-1.
- Seamless steel pipes: DIN 2448/1629 Bl.3, St 35 / ISO 9330-1.
- Welded steel pipes: DIN 2458/1626 Bl.2, St 35.
- Material numbers:
 - 1.0035 (St33)
 - 1.0034, 10305 (St34)
 - 1.0308, 10345 (St35)
 - 1.0036, 1.0037, 1.0038, 1.0039, 1.0255, 1.0254 (St37).



Description	T-plus cast iron DN50 (2") x Rp1¼"	
Order Code	90650	
GTIN	08712874906501	
Model	<u>T-plus Cast Iron</u>	
Ø Pipe	Nom.	2"
	Ext. [mm]	60.3
Branch connection	Rp 1 ¼"	
Permissible wall thickness	Min. [mm]	2.3
	Max. [mm]	4.50
Torque [Nm]	30	



T-Plus Cast Iron - Dimensions

Type	Dimensions							
	A [mm]	B [mm]	C [mm]	D [mm]	E [mm]	F + 13 [mm]	K [mm]	M [mm]
T-plus DN 15 x Rp ½	100	28	19	67	47	166	66	21
T-plus DN 20 x Rp ½	113	34	21	77	50	179	66	21
T-plus DN 25 x Rp ¾	115	35	25	83	56	181	66	21
T-plus DN 32 x Rp 1	130	38	29	102	69	196	66	21
T-plus DN 40 x Rp 1 ¼	165	55	35	123	83	231	66	21
T-plus DN 50 x Rp 1 ¼	167	55	43	136	83	233	66	21
T-plus DN 65 x Rp 1 ¼	190	66	52	153	83	256	66	21
T-plus DN 80 x Rp 1 ¼	190	66	58	168	83	256	66	21

Classification General Data

Etim Group	Fittings, flanges and connectors
Etim Class	Broaching saddle
Product Name	T-plus cast iron DN50 (2") x Rp1 1/4"
Brand	Flamco
Product Type	2"x1 1/4"x2"
Artikelnummer	90650

Attributes

Material	Cast iron
Surface protection	Lacquered
Suitable for pipe diameter	2 inch (50)
Suitable for corrugated pipe	No
High tensile strength	No
Undrilled	No
With cutter	Yes
With blocking function	No
Nominal diameter	1 1/4 inch (32)
KIWA certified	No
Outer pipe diameter	60.3 Millimetre
Gastec QA	No
Permitted by NCP	No
FM quality mark	No
Max. operating pressure at 20 °C	25 Bar
UL quality mark	No
Number of scales	2
ULC quality mark	No
Min. medium temperature (continuous)	-10 Degrees celsius
VdS quality mark	No
Max. medium temperature (continuous)	130 Degrees celsius
LPCB quality mark	No
Width	83 Millimetre

Find more information online:

[Installation and operating instruction](#)

[EU Declaration of Conformity](#)

[Zertifikat SVGW](#)

[UKCA Declaration of Conformity](#)

[Export catalogue](#)

[T-plus Brochure](#)

[Packaging data](#)

[T-plus \(ball valve version\)](#)

[T-plus \(ball valve version\)](#)

[T-plus](#)

[T-plus](#)

[T-plus \(install video\)](#)

[T-plus \(install video\)](#)

Fort Blauwkapel 1
1358 DB, Almere - nl

T +31 (0)36 52 62 300
E info@aalberts-hfc.com
I flamcogroup.com