

Qty. Description

1 UPS 32-55 N 180



Note! Product picture may differ from actual product

Product No.: On request

The pump is of the canned rotor type, i.e. pump and motor form an integral unit without shaft seal and with only two gaskets for sealing.

The bearings are lubricated by the pumped liquid.

The pump has 3-step speed selector.

The pump is characterized by:

- * Ceramic shaft and radial bearings.
- * Carbon axial bearing.
- * Stainless steel rotor can and bearing plate.
- * Corrosion-resistant impeller, Composite, PES/PP.
- * Stainless steel pump housing.

The motor is a 1-phase motor.

No additional motor protection is required.

Liquid:

Pumped liquid: Water
 Liquid temperature range: -25 .. 110 °C
 Selected liquid temperature: 60 °C
 Density: 983.2 kg/m³

Technical:

TF class: 110
 Approvals on nameplate: CE, WEEE, UKCA

Materials:

Pump housing: Stainless steel
 DIN W.-Nr. 1.4301
 Impeller: Composite, PES/PP

Installation:

Amb. max at 80 dgr C liquid: 40 °C
 Maximum operating pressure: 10 bar
 Pipe connection: G 2
 Pressure rating: PN 10
 Port-to-port length: 180 mm

Electrical data:

Power input in speed 1: 75 W
 Power input in speed 2: 100 W
 Max. power input: 105 W
 Mains frequency: 50 Hz
 Rated voltage: 1 x 230 V



Company name:

Created by:

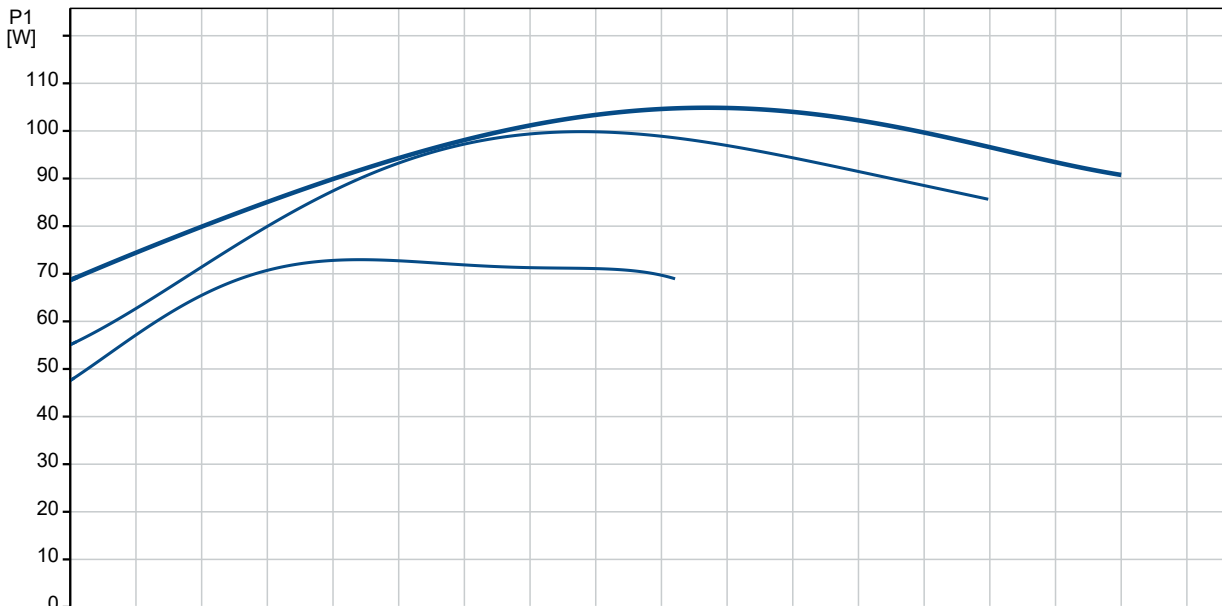
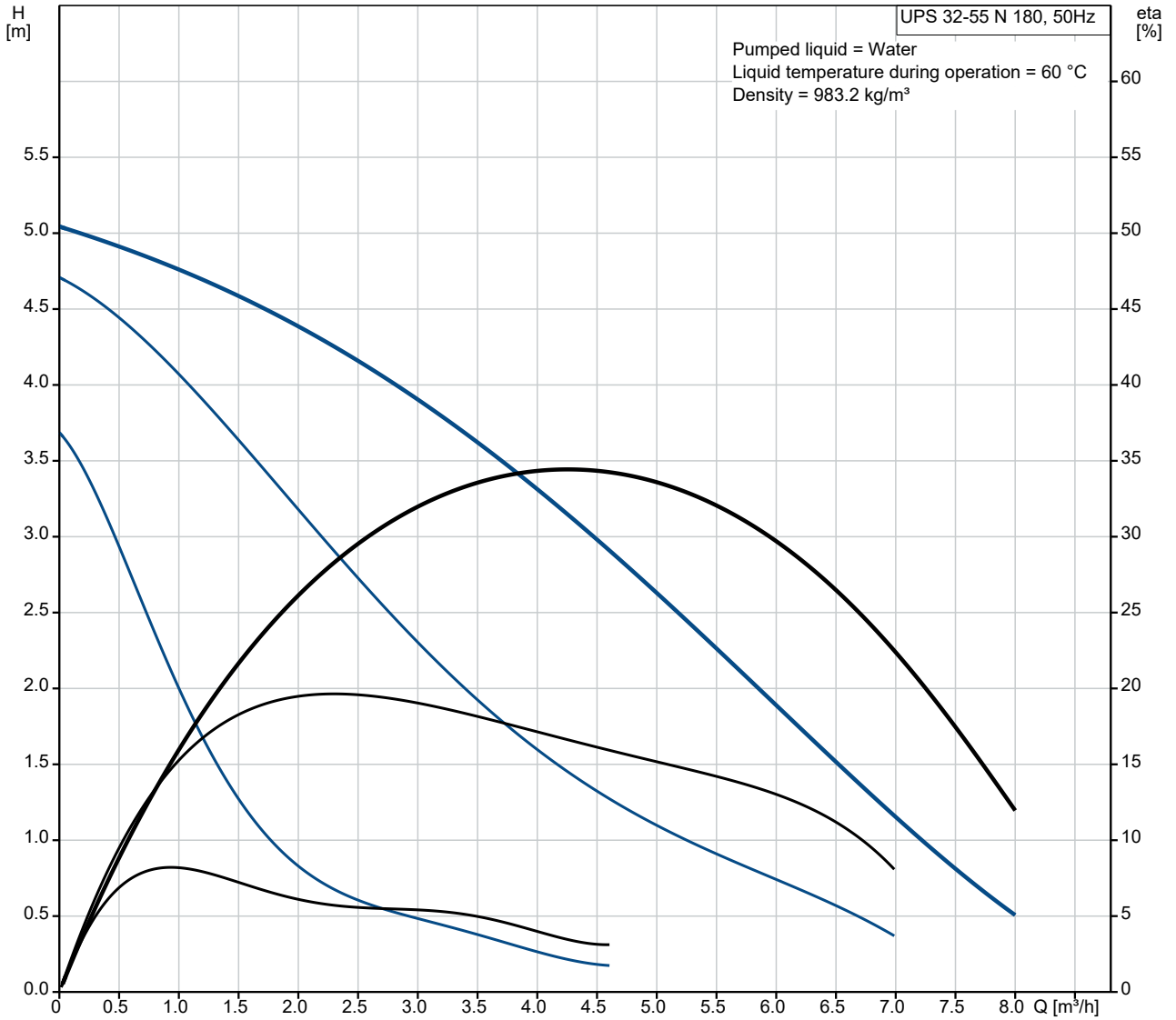
Phone:

Date:

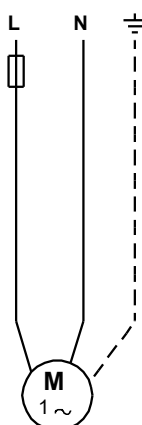
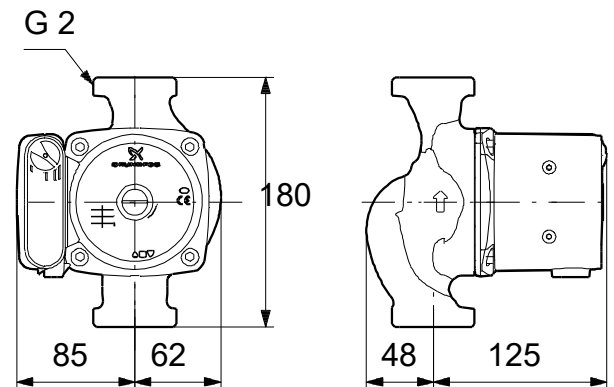
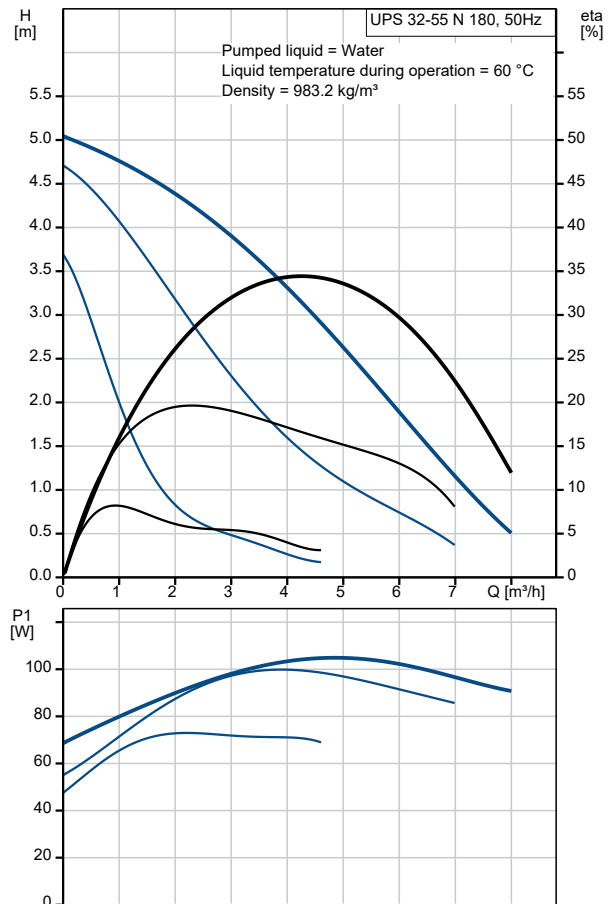
03/11/2021

Qty.	Description
	Current in speed 1: 0.32 A
	Current in speed 2: 0.44 A
	Current in speed 3: 0.46 A
	Capacitor size - run: 2.5 μ F
	Enclosure class (IEC 34-5): X2D
	Insulation class (IEC 85): F
	Others:
	Net weight: 4.6 kg
	Gross weight: 4.9 kg
	Shipping volume: 0.008 m ³
	Country of origin: RS
	Custom tariff no.: 84137030

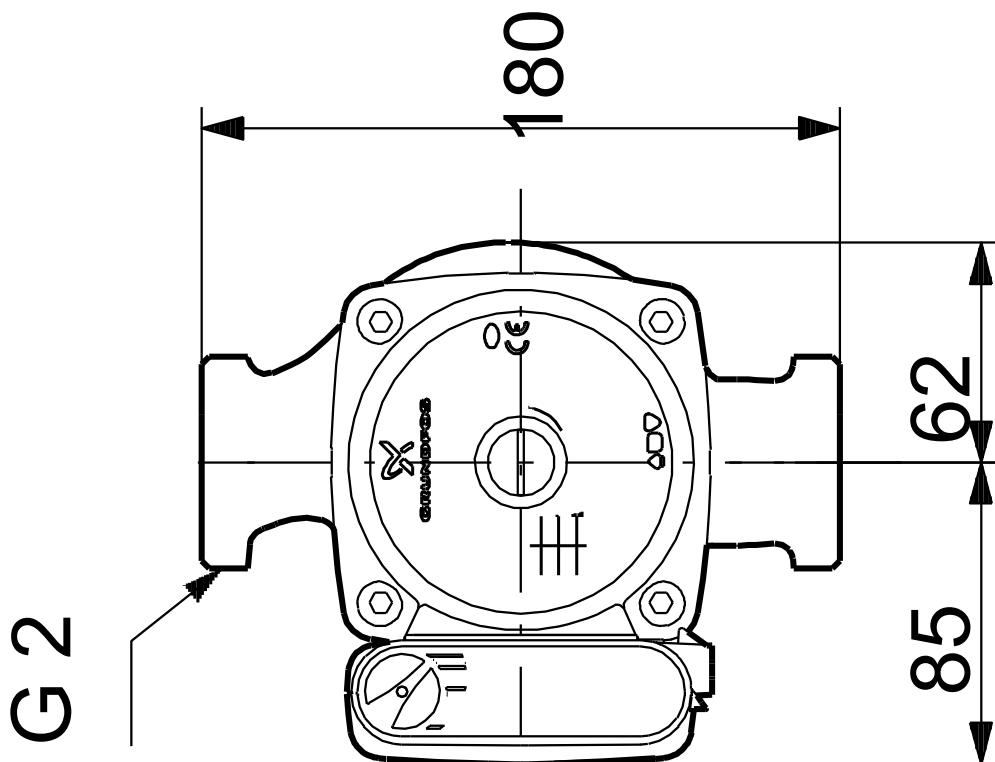
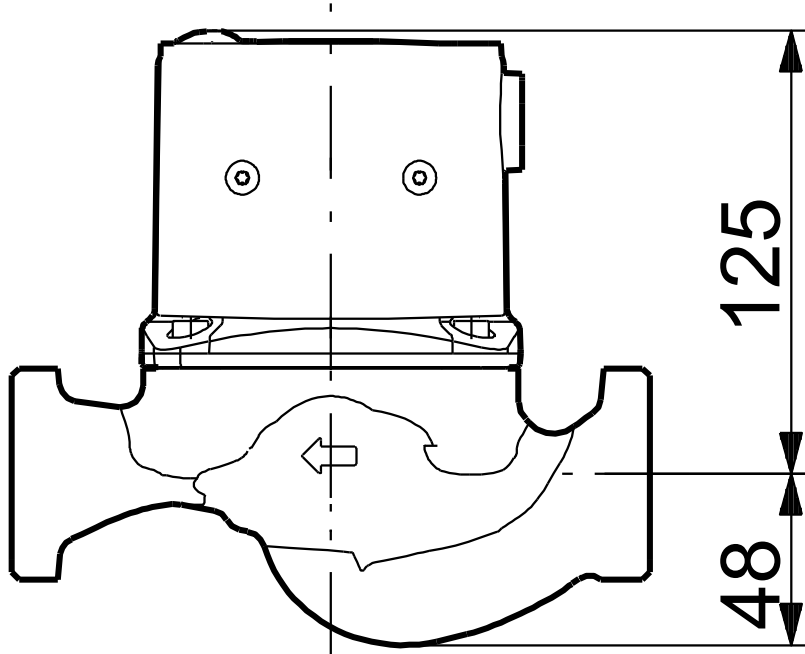
On request UPS 32-55 N 180 50 Hz



Description	Value
General information:	
Product name:	UPS 32-55 N 180
Product No:	On request
EAN number:	On request
Technical:	
Speed no:	3
Head max:	55 dm
TF class:	110
Approvals on nameplate:	CE, WEEE, UKCA
Materials:	
Pump housing:	Stainless steel
Pump housing:	DIN W.-Nr. 1.4301
Impeller:	Composite, PES/PP
Installation:	
Amb. max at 80 dgr C liquid:	40 °C
Maximum operating pressure:	10 bar
Pipe connection:	G 2
Pressure rating:	PN 10
Port-to-port length:	180 mm
Liquid:	
Pumped liquid:	Water
Liquid temperature range:	-25 .. 110 °C
Selected liquid temperature:	60 °C
Density:	983.2 kg/m ³
Electrical data:	
Power input in speed 1:	75 W
Power input in speed 2:	100 W
Max. power input:	105 W
Mains frequency:	50 Hz
Rated voltage:	1 x 230 V
Current in speed 1:	0.32 A
Current in speed 2:	0.44 A
Current in speed 3:	0.46 A
Capacitor size - run:	2.5 µF
Enclosure class (IEC 34-5):	X2D
Insulation class (IEC 85):	F
Built-in motor protection:	CONTACT
Thermal protec:	internal
Controls:	
Pos term box:	9H
Others:	
Net weight:	4.6 kg
Gross weight:	4.9 kg
Shipping volume:	0.008 m ³
Country code:	GB
Country of origin:	RS
Custom tariff no.:	84137030

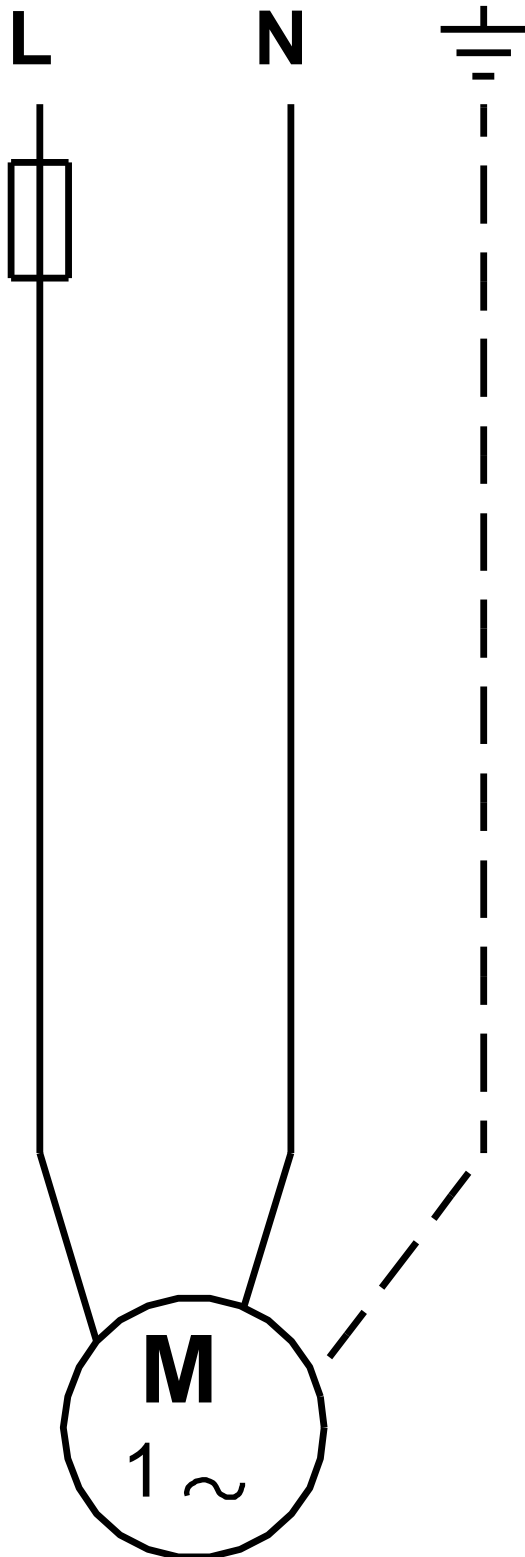


On request UPS 32-55 N 180 50 Hz



Note! All units are in [mm] unless others are stated.
Disclaimer: This simplified dimensional drawing does not show all details.

On request UPS 32-55 N 180 50 Hz



Note! All units are in [mm] unless others are stated.



Company name:

Created by:

Phone:

Date:

03/11/2021

Order Data:

Product name: UPS 32-55 N 180

Amount: 1

Product No: On request

Total: Price on request
