

| Qty. | Description |
|------|-------------|
|------|-------------|

|   |                      |
|---|----------------------|
| 1 | SE1.80.80.30.4.50D.B |
|---|----------------------|



Note! Product picture may differ from actual product

Product No.: [96047565](#)

Non-self-priming, single-stage, centrifugal pump designed for handling wastewater, process water and unscreened raw sewage.

The pump is designed for intermittent and continuous operation. The liquidless and maintenance free cooling system ensures that the pump can be used for submerged or dry installation. The revolutionary S-tube® impeller provides free spherical passage of solids up to 80 mm and is suitable for wastewater with a dry matter content of up to 3 %. A unique stainless-steel clamp assembling system enables quick and easy disassembly of the pump from the motor unit for service and inspection. No special tools are required. Pipework connection is via a DIN flange.

### Further product details

The pump is suitable for both temporary and permanent installation either as free-standing on ring stand, on base stand, on brackets or on an auto-coupling system.

#### Pump

The pump is fitted with an easy-to-clean stainless-steel motor sleeve (EN 1.4301) that is extremely robust and impact-resistant. Pump housing and impeller is made of cast iron (EN-GJL-250).

All surfaces of the cast iron parts are protected with cathodolysis coating.

The surface of the cast iron pump parts is afterwards painted with environmental friendly powder coating (type NCS 9000N (black), gloss code 30, thickness 100 µm) which ensures high impact and corrosion protection.

The final pump is assembled from already painted parts which ensures that no rust or scale can be formed in grooves between parts, etc.

The S-tube® impeller is providing free spherical passage through the impeller and pump housing and creates a natural extension of the pipework connected to the pump.

The S-tube® impeller is a wet-balanced and tube-shaped channel impeller placed in a pump housing that matches the smooth tube shape leaving no obstructions or dead zones.

The key to the S-tube® design is simplicity, with no cutting or moving functions that can get worn over time, thereby ensuring constant, superior efficiency. The simple design means lower life cycle costs because abrasive wear is reduced and there are fewer clogging incidents.

**Qty. Description**

1



The shaft seal consists of two mechanical seals that ensure a reliable sealing between the pumped liquid and motor. The shaft seals are incorporated in a single-unit cartridge shaft seal system that is easy to replace in the field without use of special tools.

The combination of the primary and secondary seals in a cartridge shaft seal system results in a shorter assembly length compared to conventional shaft seals.

- Primary seal: Silicon carbide/silicon carbide (SiC/SiC)
- Secondary seal: Carbon/Ceramics

The shaft seal is bidirectional, meaning it operates correctly in case of backflow through the pump.



The pump is approved according to EN12050-1.

**Motor**

The motor is a watertight, totally encapsulated motor supplied with a 10 m power cable. The stainless steel plug is fastened with a union nut. This nut and the O-rings provide sealing against ingress of the liquid.

The plug is polyurethane-embedded, ensuring a watertight and durable seal around the leads of the cable. This prevents the ingress of water into the motor through the cable in case of cable breakage or adverse handling in connection with installation or service.

A compact motor construction with a short shaft reduces vibrations, resulting in an increased efficiency and lifetime of the shaft seal and ball bearings.

The motor features built-in thermal protection to protect the motor against overheating and ensure the reliability.

A solid-block stator housing with built-in cooling conduits, efficiently transfers excess heat to the pumped liquid via a solid cast intermediate cooling flange, that is in direct contact with the pumped liquid.

This allows for continuous operation even in a dry installation.

An extremely robust impact-resistant stainless-steel jacket with an easy-to-clean smooth surface is fitted on the top of the solid-block stator housing.

The pump is designed for speed-controlled operation to keep the energy consumption at a minimum.

To avoid the risk of sedimentation in the pipes, we recommend that you operate the speed-controlled pump within a speed range of 30 % to 100 % and at a flow rate above 1 m/s.

Controls:

|                      |                             |
|----------------------|-----------------------------|
| Moisture sensor:     | without moisture sensors    |
| Water-in-oil sensor: | without water-in-oil sensor |
| Temp. sensor:        | N                           |

| Qty. | Description  |
|------|--|
| 1    | <p>Liquid:<br/> Liquid temperature range: 0 .. 40 °C<br/> Density: 998.2 kg/m<sup>3</sup></p> <p>Technical:<br/> Max flow: 42.2 l/s<br/> Type of impeller: S-TUBE<br/> Maximum particle size: 80 mm<br/> Primary shaft seal: SIC/SIC<br/> Max. hydraulic efficiency: 67 %<br/> Approvals: EN12050-1<br/> Curve tolerance: ISO9906:2012 3B2</p> <p>Materials:<br/> Pump housing: EN 1561 EN-GJL-250<br/> Impeller: Cast iron<br/> EN 5.1301 EN-GJL-250</p> <p>Installation:<br/> Maximum operating pressure: 6 bar<br/> Flange standard: DIN<br/> Pump outlet: DN 80<br/> Pressure rating: PN 10<br/> Maximum installation depth: 20 m<br/> Auto-coupling: 96090993</p> <p>Electrical data:<br/> Power input - P1: 3.7 kW<br/> Rated power - P2: 3 kW<br/> Mains frequency: 50 Hz<br/> Rated voltage: 3 x 380-415 V<br/> Voltage tolerance: +6/-10 %<br/> Max starts per. hour: 20<br/> Rated current: 7.8-8.0 A<br/> Rated current at 3/4 load: 6.4 A<br/> Rated current at 1/2 load: 5.6 A<br/> Starting current: 43 A<br/> Rated current at no load: 5.1 A<br/> Cos phi - power factor: 0.73<br/> Cos phi - p.f. at no load: 0.12<br/> Cos phi - p.f. at 3/4 load: 0.64<br/> Cos phi - p.f. at 1/2 load: 0.5<br/> Rated speed: 1455 rpm<br/> Locked-rotor torque: 53 Nm<br/> Breakdown torque: 71 Nm<br/> Moment of inertia: 0.11 kg m<sup>2</sup><br/> Motor efficiency at full load: 81.2 %<br/> Motor efficiency at 3/4 load: 79.9 %<br/> Motor efficiency at 1/2 load: 76.4 %<br/> Number of poles: 4<br/> Start. method: direct-on-line<br/> Enclosure class (IEC 34-5): IP68<br/> Insulation class (IEC 85): F<br/> Explosion proof: no<br/> Length of cable: 10 m<br/> Cable type: LYNIFLEX<br/> Type of cable plug: No plug</p> <p>Others:</p> |



Company name:

Created by:

Phone:

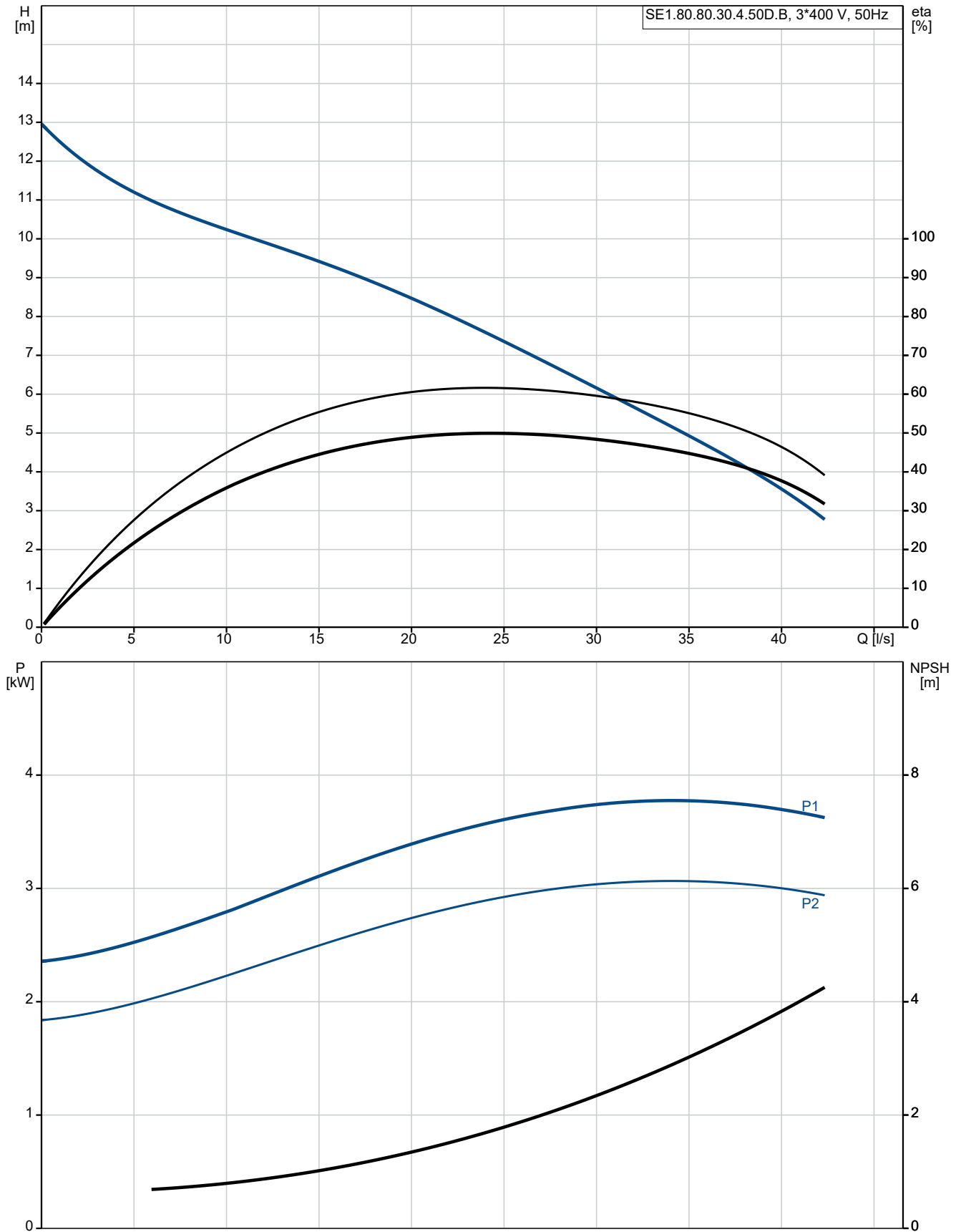
Date:

28/12/2022

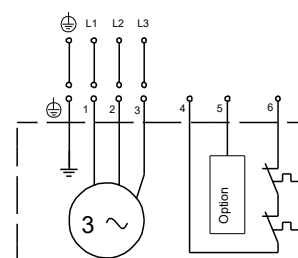
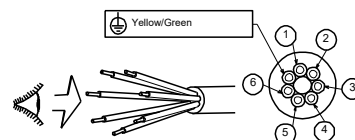
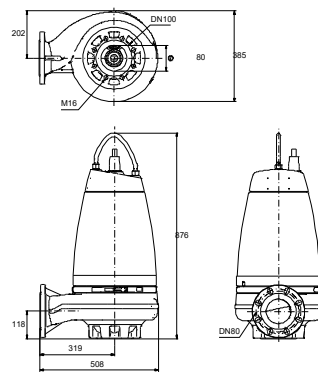
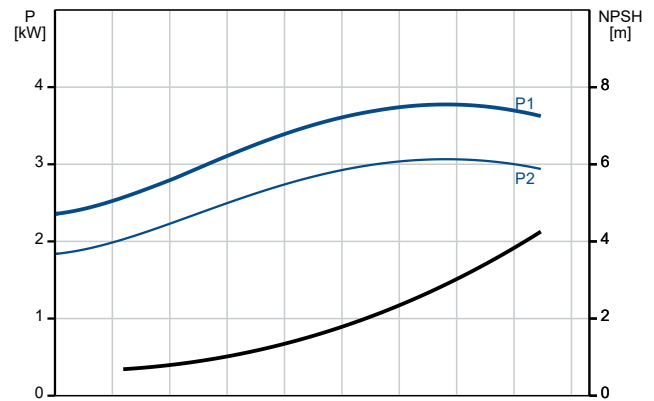
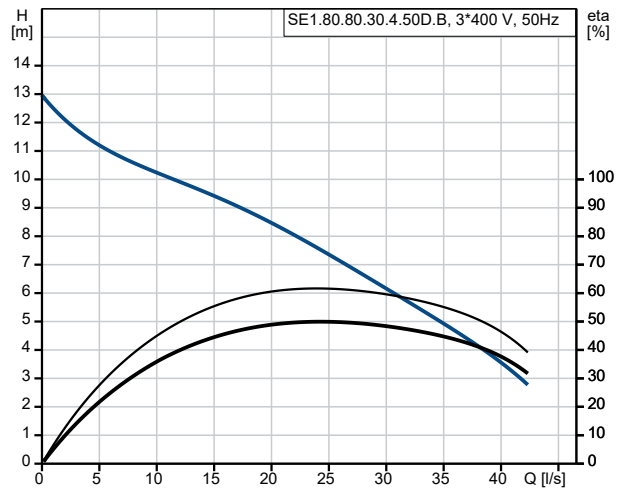
| Qty. | Description |
|------|-------------|
|------|-------------|

|   |                           |
|---|---------------------------|
| 1 | Net weight: 169 kg        |
|   | Gross weight: 190 kg      |
|   | Danish VVS No.: 391286284 |

## 96047565 SE1.80.80.30.4.50D.B 50 Hz



| Description                    | Value                   |
|--------------------------------|-------------------------|
| <b>General information:</b>    |                         |
| Product name:                  | SE1.80.80.30.4.50D.B    |
| Product No:                    | 96047565                |
| EAN number:                    | 5700395053548           |
| <b>Technical:</b>              |                         |
| Max flow:                      | 42.2 l/s                |
| Head max:                      | 12.2 m                  |
| Type of impeller:              | S-TUBE                  |
| Maximum particle size:         | 80 mm                   |
| Primary shaft seal:            | SIC/SIC                 |
| Max. hydraulic efficiency:     | 67 %                    |
| Approvals:                     | EN12050-1               |
| Curve tolerance:               | ISO9906:2012 3B2        |
| Cooling jacket:                | with cooling jacket     |
| <b>Materials:</b>              |                         |
| Pump housing:                  | EN 1561 EN-GJL-250      |
| Impeller:                      | Cast iron               |
| Impeller:                      | EN 5.1301 EN-GJL-250    |
| <b>Installation:</b>           |                         |
| Maximum operating pressure:    | 6 bar                   |
| Flange standard:               | DIN                     |
| Pump outlet:                   | DN 80                   |
| Pressure rating:               | PN 10                   |
| Maximum installation depth:    | 20 m                    |
| Inst dry/wet:                  | DRY/SUBMERGED           |
| Installation:                  | horizontal or vertical  |
| Auto-coupling:                 | 96090993                |
| <b>Liquid:</b>                 |                         |
| Liquid temperature range:      | 0 .. 40 °C              |
| Density:                       | 998.2 kg/m <sup>3</sup> |
| <b>Electrical data:</b>        |                         |
| Power input - P1:              | 3.7 kW                  |
| Rated power - P2:              | 3 kW                    |
| Mains frequency:               | 50 Hz                   |
| Rated voltage:                 | 3 x 380-415 V           |
| Voltage tolerance:             | +6/-10 %                |
| Max starts per. hour:          | 20                      |
| Rated current:                 | 7.8-8.0 A               |
| Rated current at 3/4 load:     | 6.4 A                   |
| Rated current at 1/2 load:     | 5.6 A                   |
| Starting current:              | 43 A                    |
| Rated current at no load:      | 5.1 A                   |
| Cos phi - power factor:        | 0.73                    |
| Cos phi - p.f. at no load:     | 0.12                    |
| Cos phi - p.f. at 3/4 load:    | 0.64                    |
| Cos phi - p.f. at 1/2 load:    | 0.5                     |
| Rated speed:                   | 1455 rpm                |
| Locked-rotor torque:           | 53 Nm                   |
| Breakdown torque:              | 71 Nm                   |
| Moment of inertia:             | 0.11 kg m <sup>2</sup>  |
| Motor efficiency at full load: | 81.2 %                  |
| Motor efficiency at 3/4 load:  | 79.9 %                  |
| Motor efficiency at 1/2 load:  | 76.4 %                  |
| Number of poles:               | 4                       |
| Start. method:                 | direct-on-line          |
| Enclosure class (IEC 34-5):    | IP68                    |
| Insulation class (IEC 85):     | F                       |
| Explosion proof:               | no                      |





Company name:

Created by:

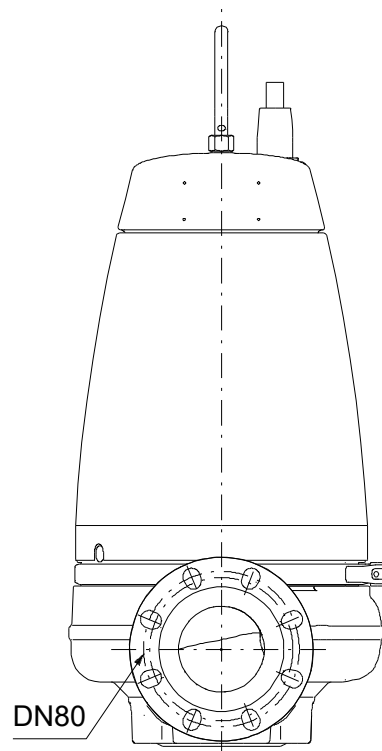
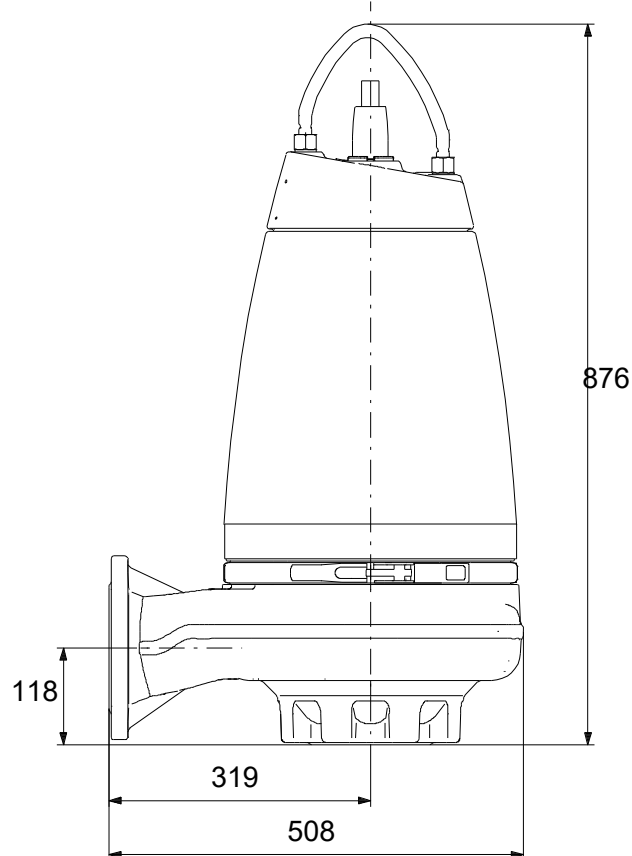
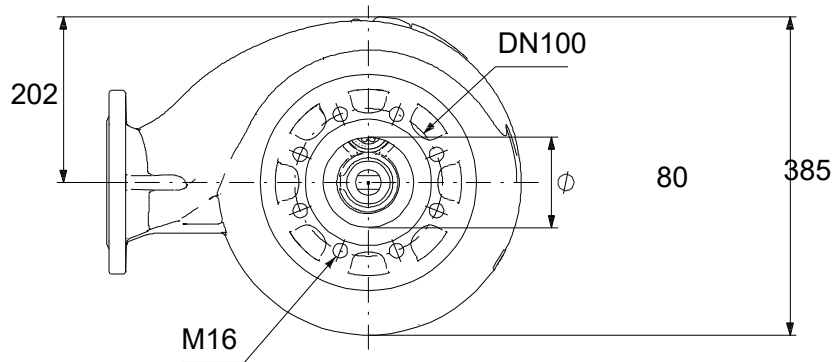
Phone:

Date:

28/12/2022

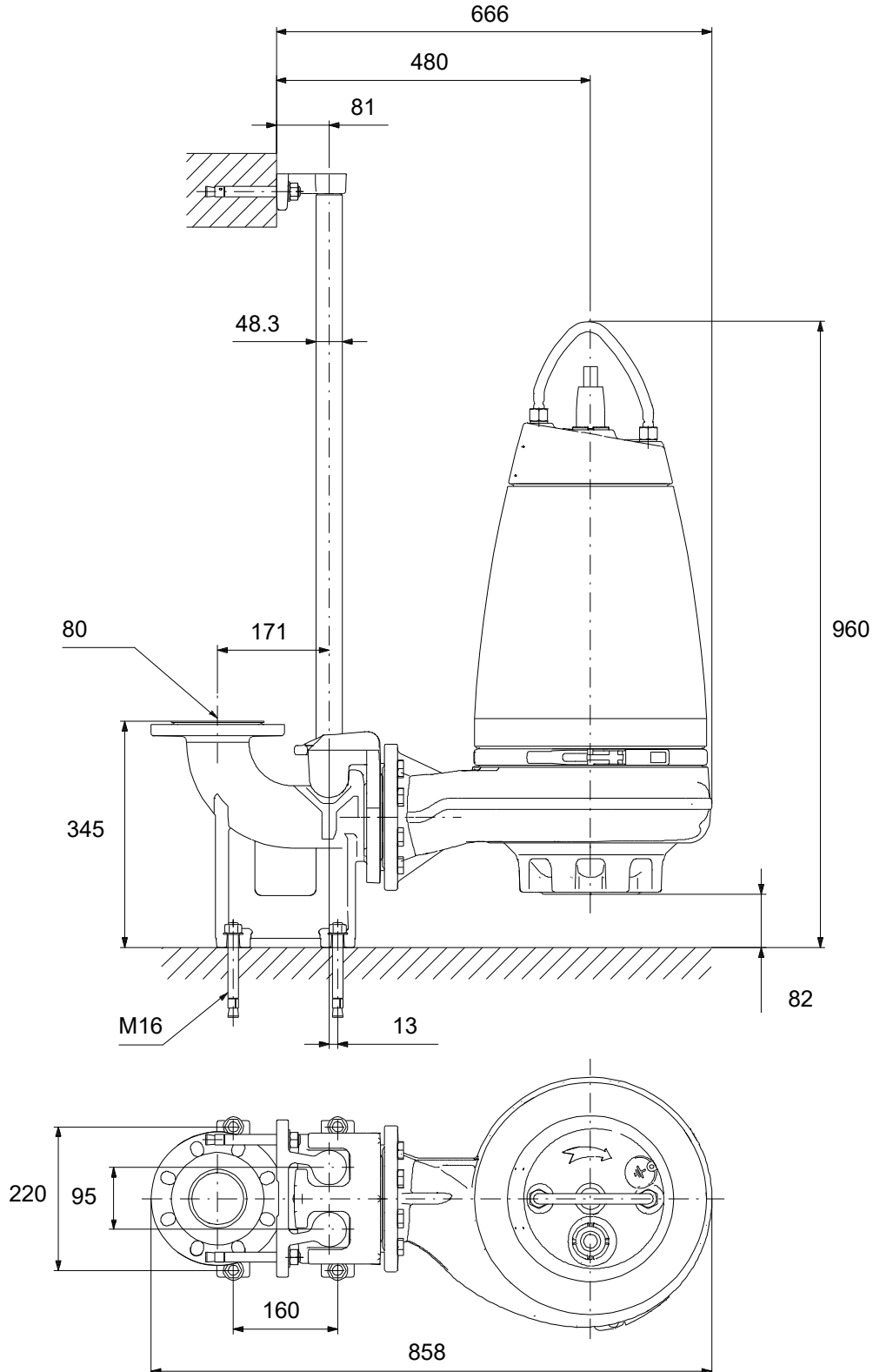
| Description                | Value                       |
|----------------------------|-----------------------------|
| Built-in motor protection: | THERMAL SWITCH              |
| Thermal protec:            | internal                    |
| Length of cable:           | 10 m                        |
| Cable type:                | LYNIFLEX                    |
| Type of cable plug:        | No plug                     |
| <b>Controls:</b>           |                             |
| Control box:               | not included                |
| Moisture sensor:           | without moisture sensors    |
| Water-in-oil sensor:       | without water-in-oil sensor |
| Temp. sensor:              | N                           |
| <b>Others:</b>             |                             |
| Net weight:                | 169 kg                      |
| Gross weight:              | 190 kg                      |
| Danish VVS No.:            | 391286284                   |

## 96047565 SE1.80.80.30.4.50D.B 50 Hz



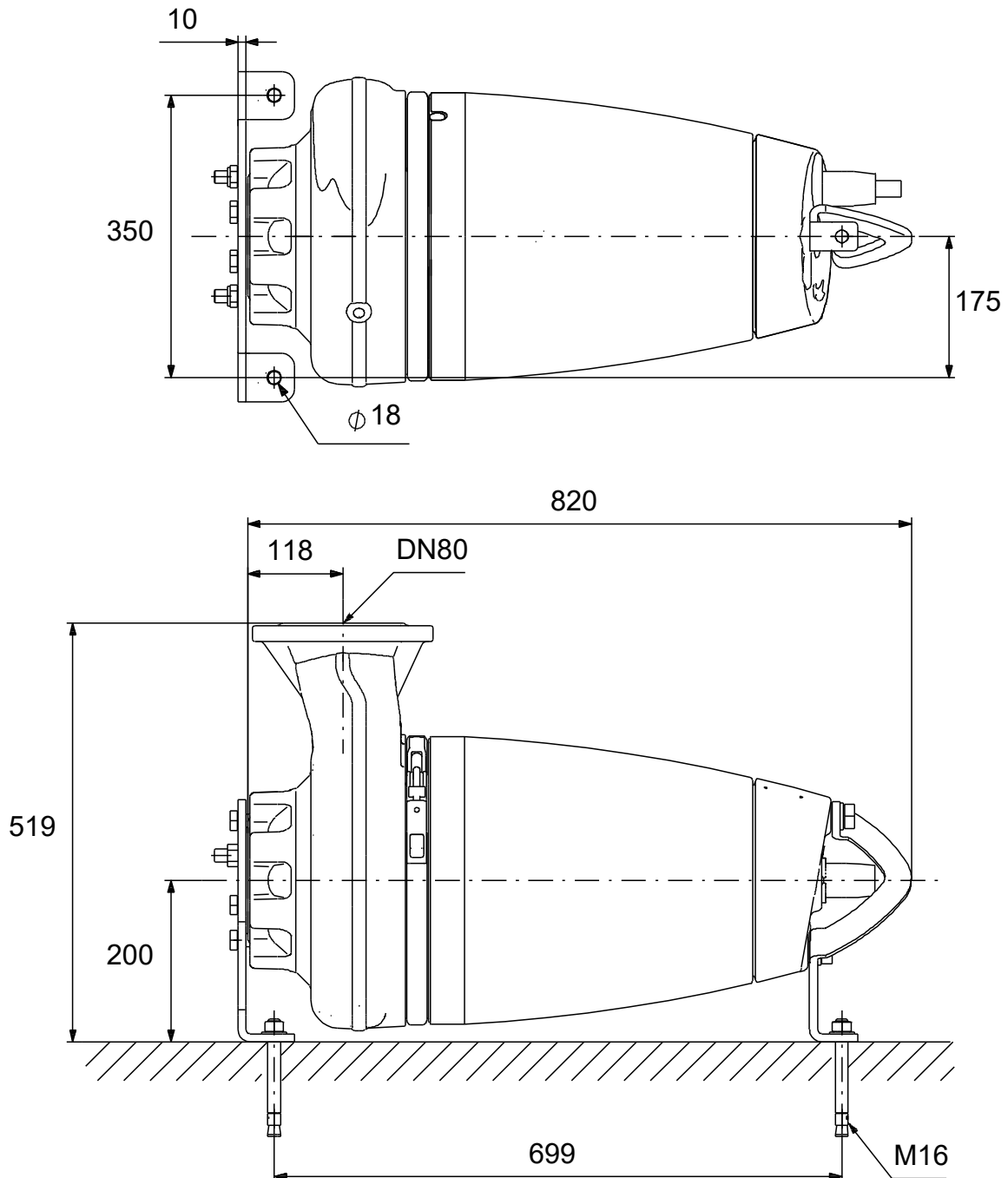
Note! All units are in [mm] unless others are stated.  
Disclaimer: This simplified dimensional drawing does not show all details.

## 96047565 SE1.80.80.30.4.50D.B 50 Hz



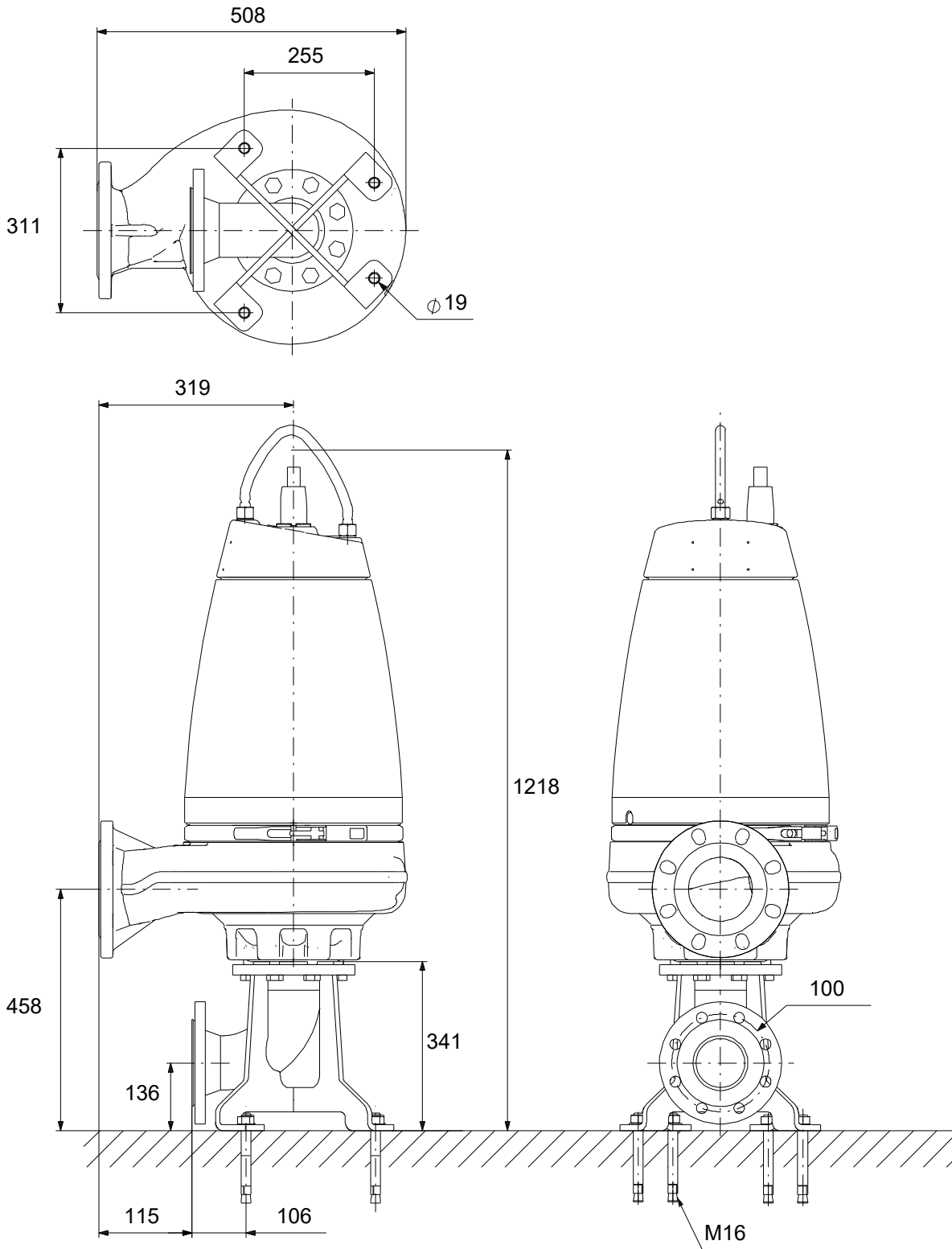
Note! All units are in [mm] unless others are stated.  
Disclaimer: This simplified dimensional drawing does not show all details.

## 96047565 SE1.80.80.30.4.50D.B 50 Hz



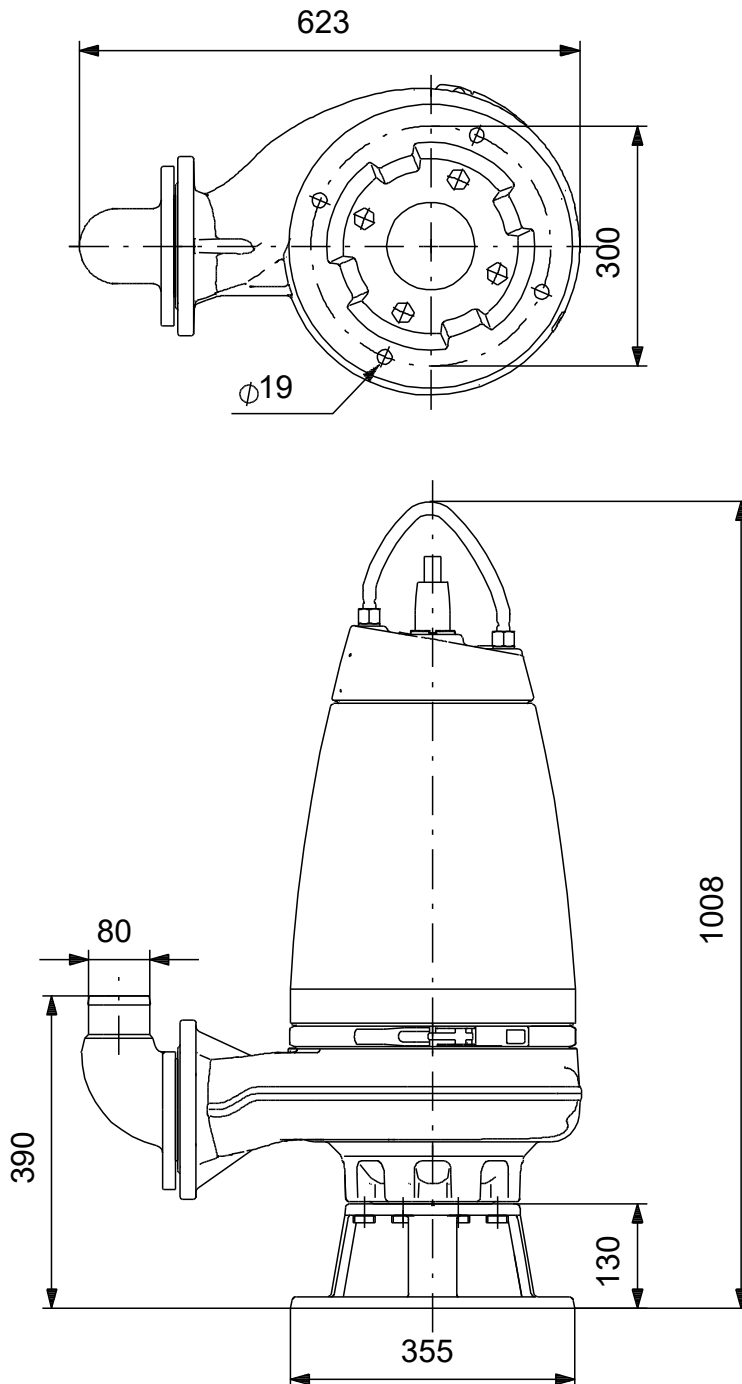
Note! All units are in [mm] unless others are stated.  
Disclaimer: This simplified dimensional drawing does not show all details.

## 96047565 SE1.80.80.30.4.50D.B 50 Hz



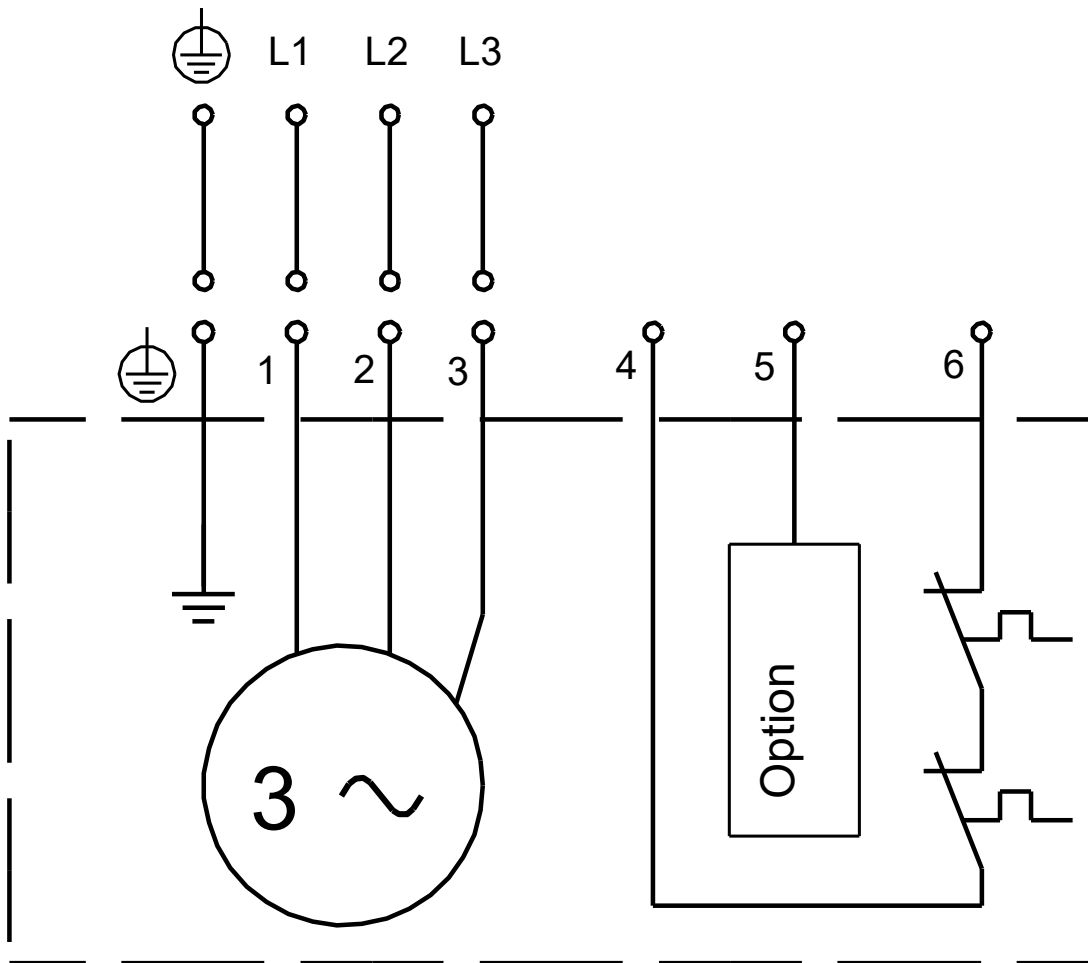
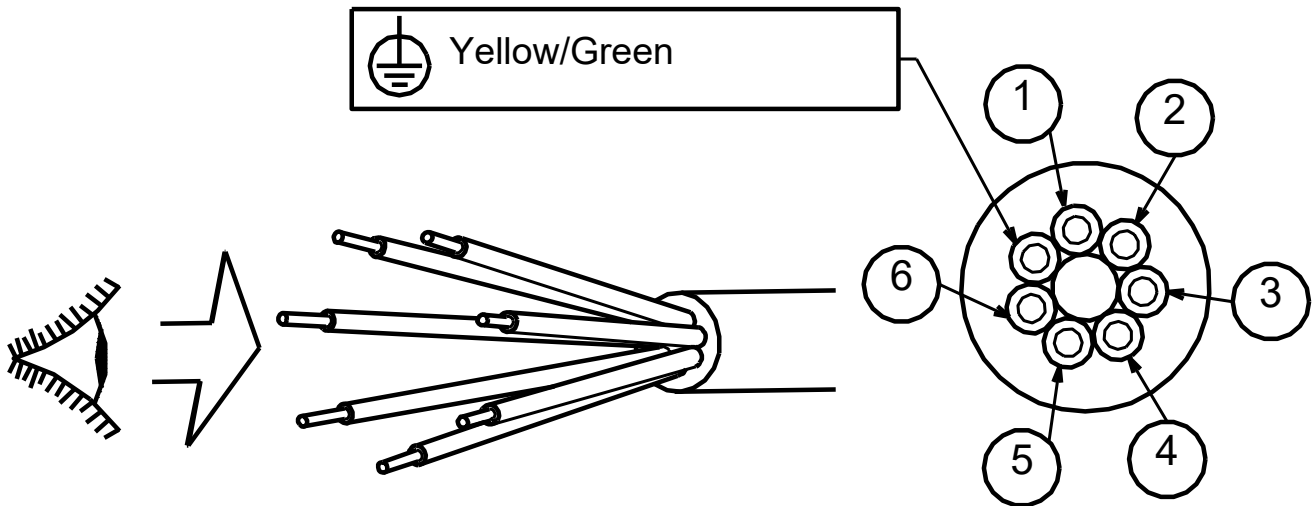
Note! All units are in [mm] unless others are stated.  
Disclaimer: This simplified dimensional drawing does not show all details.

## 96047565 SE1.80.80.30.4.50D.B 50 Hz



Note! All units are in [mm] unless others are stated.  
Disclaimer: This simplified dimensional drawing does not show all details.

## 96047565 SE1.80.80.30.4.50D.B 50 Hz



Note! All units are in [mm] unless others are stated.

