

**Qty. Description**

1 TP 32-100/4 A-F-A-BQQE-DX3



**Note! Product picture may differ from actual product**

Product No.: [96086740](#)

Single-stage, close-coupled, volute pump with in-line suction and discharge ports of identical diameter.

The pump is of the top-pull-out design, i.e. the power head (motor, pump head and impeller) can be removed for maintenance or service while the pump housing remains in the pipework.

The pump is fitted with an unbalanced rubber bellows seal.

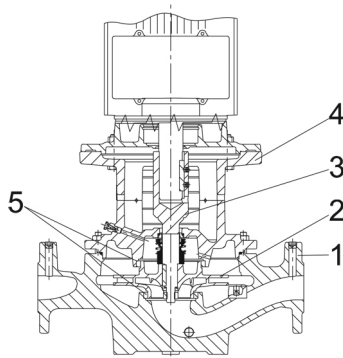
The shaft seal is according to EN 12756. Pipework connection is via PN 16 DIN flanges (EN 1092-2 and ISO 7005-2).

The pump is fitted with a fan-cooled asynchronous motor.

The product's minimum efficiency index (MEI) is greater or equal to 0.70. This is by the Commission Regulation (EU) considered as an indicative benchmark for best-performing water pump available on the market as from 1 January 2013.

Cast-iron parts have an epoxy-based coating made in a cathodic electro-deposition (CED) process. CED is a high-quality dip-painting process where an electrical field around the products ensures deposition of paint particles as a thin, well-controlled layer on the surface.

**Pump**



1: Pump housing

2: Impeller

3: Stub shaft

4: Pump head/motor stool

5: Wear rings

The pump housing is provided with a replaceable brass neck ring to reduce the amount of liquid running from the outlet side of the impeller to the inlet side.

The impeller is secured to the shaft with a nut.

The pump is fitted with an unbalanced rubber bellows seal with torque transmission across the spring and around the bellows. Due to the bellows, the seal does not wear the shaft, and the axial movement is not prevented by deposits on the shaft.

Seal faces:

- Rotating seal ring material: silicon carbide (SiC)
- Stationary seat material: silicon carbide (SiC)

This material pairing is used where higher corrosion resistance is required. The high hardness of this material pairing offers good resistance against abrasive particles.



| Qty. | Description  |
|------|--|
| 1    | <p>Size of connection: DN 32<br/>           Pressure rating for connection: PN 16<br/>           Port-to-port length: 340 mm<br/>           Flange size for motor: FF130</p> <p>Electrical data:<br/>           Motor type: 71B<br/>           IE Efficiency class: IE2<br/>           Rated power - P2: 0.37 kW<br/>           Mains frequency: 50 Hz<br/>           Rated voltage: 3 x 220-240D/380-415Y V<br/>           Rated current: 1,80-1,83/1,04-1,06 A<br/>           Starting current: 390-430 %<br/>           Cos phi - power factor: 0.78-0.69<br/>           Rated speed: 1390-1410 rpm<br/>           Efficiency: IE2 72,8% - IE2 73,1%<br/>           Motor efficiency at full load: 72.8-73.1 %<br/>           Motor efficiency at 3/4 load: 75.6 %<br/>           Motor efficiency at 1/2 load: 73.8 %<br/>           Number of poles: 4<br/>           Enclosure class (IEC 34-5): 55 Dust/Jetting<br/>           Insulation class (IEC 85): F<br/>           Motor No: 99957665</p> <p>Others:<br/>           Minimum efficiency index, MEI <math>\geq</math> 0.70<br/>           Net weight: 36 kg<br/>           Gross weight: 47 kg<br/>           Shipping volume: 0.162 m<sup>3</sup><br/>           Danish VVS No.: 381711100<br/>           Finnish LVI No.: 4616012<br/>           Norwegian NRF no.: 9043518<br/>           Country of origin: HU<br/>           Custom tariff no.: 84137051</p> |



Company name:

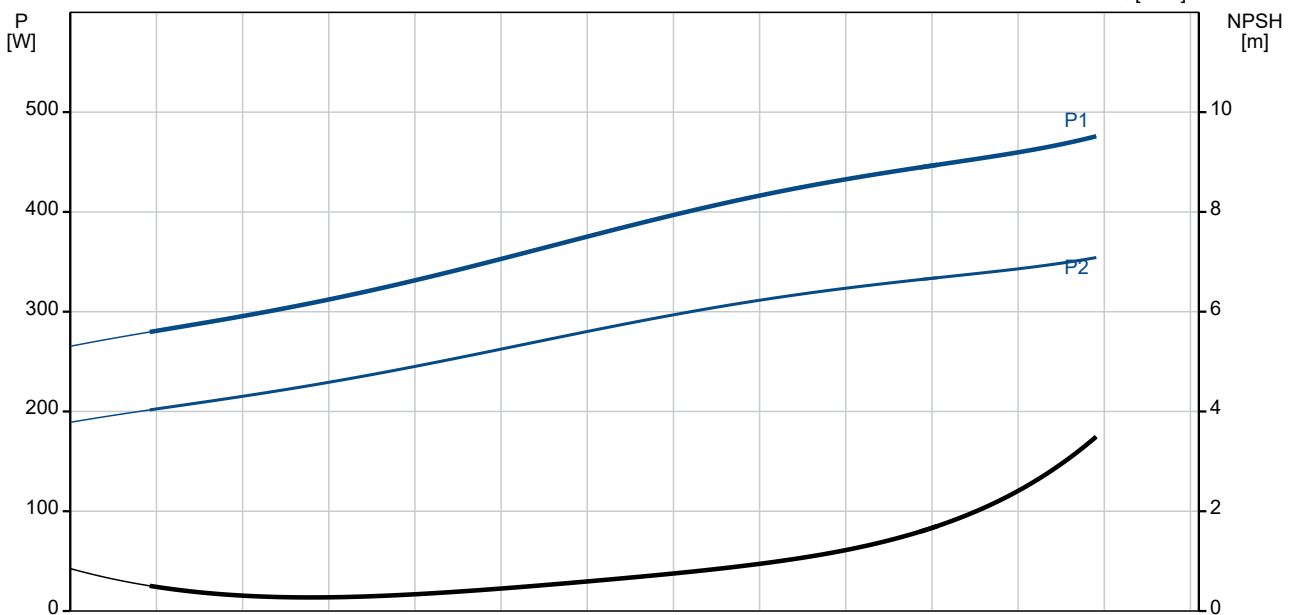
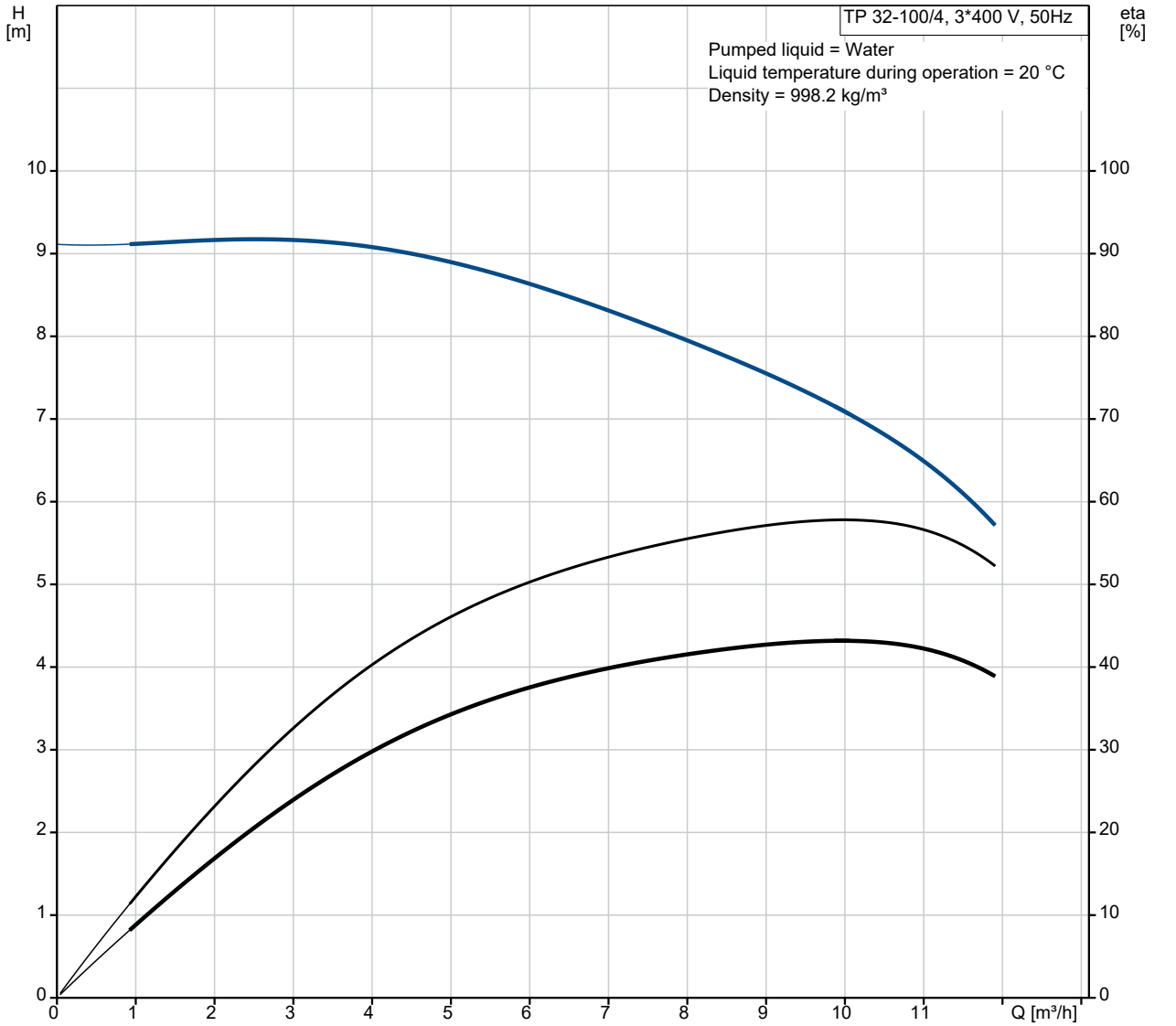
Created by:

Phone:

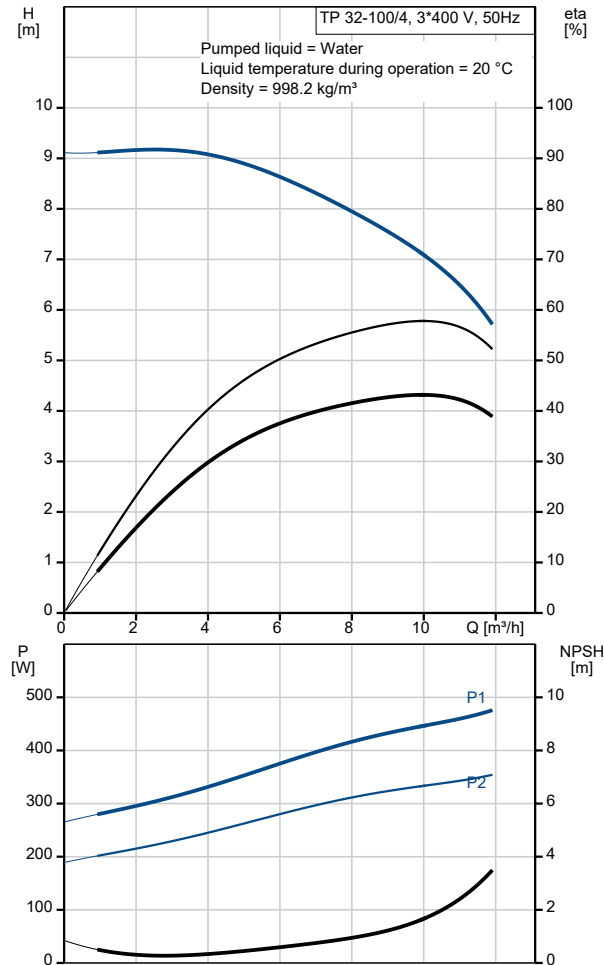
Date:

08/08/2022

### 96086740 TP 32-100/4 A-F-A-BQQE-DX3 50 Hz



| Description                              | Value                         |
|--|-------------------------------|
| <b>General information:</b>              |                               |
| Product name:                            | TP 32-100/4<br>A-F-A-BQQE-DX3 |
| Product No:                              | 96086740                      |
| EAN number:                              | 5700395306965                 |
| <b>Technical:</b>                        |                               |
| Pump speed on which pump data are based: | 1410 rpm                      |
| Rated flow:                              | 9.96 m <sup>3</sup> /h        |
| Rated head:                              | 7.2 m                         |
| Maximum head:                            | 100 dm                        |
| Actual impeller diameter:                | 169 mm                        |
| Code for shaft seal:                     | BQQE                          |
| Curve tolerance:                         | ISO9906:2012 3B2              |
| Pump version:                            | A                             |
| <b>Materials:</b>                        |                               |
| Pump housing:                            | Cast iron                     |
| Pump housing:                            | EN-GJL-250                    |
| Pump housing:                            | ASTM class 35                 |
| Impeller:                                | Cast iron                     |
| Impeller:                                | EN-GJL-200                    |
| Impeller:                                | ASTM class 30                 |
| Material code:                           | A                             |
| <b>Installation:</b>                     |                               |
| Range of ambient temperature:            | -30 .. 40 °C                  |
| Maximum operating pressure:              | 16 bar                        |
| Max pressure at stated temp:             | 16 bar / 120 °C               |
| Type of connection:                      | DIN                           |
| Size of connection:                      | DN 32                         |
| Pressure rating for connection:          | PN 16                         |
| Port-to-port length:                     | 340 mm                        |
| Flange size for motor:                   | FF130                         |
| Connect code:                            | F                             |
| <b>Liquid:</b>                           |                               |
| Pumped liquid:                           | Water                         |
| Liquid temperature range:                | -25 .. 120 °C                 |
| Selected liquid temperature:             | 20 °C                         |
| Density:                                 | 998.2 kg/m <sup>3</sup>       |
| <b>Electrical data:</b>                  |                               |
| Motor type:                              | 71B                           |
| IE Efficiency class:                     | IE2                           |
| Rated power - P2:                        | 0.37 kW                       |
| Mains frequency:                         | 50 Hz                         |
| Rated voltage:                           | 3 x 220-240D/380-415Y V       |
| Rated current:                           | 1,80-1,83/1,04-1,06 A         |
| Starting current:                        | 390-430 %                     |
| Cos phi - power factor:                  | 0.78-0.69                     |
| Rated speed:                             | 1390-1410 rpm                 |
| Efficiency:                              | IE2 72,8% - IE2 73,1%         |
| Motor efficiency at full load:           | 72.8-73.1 %                   |
| Motor efficiency at 3/4 load:            | 75.6 %                        |
| Motor efficiency at 1/2 load:            | 73.8 %                        |
| Number of poles:                         | 4                             |
| Enclosure class (IEC 34-5):              | 55 Dust/Jetting               |
| Insulation class (IEC 85):               | F                             |
| Built-in motor protection:               | NONE                          |
| Motor No:                                | 99957665                      |
| <b>Controls:</b>                         |                               |
| Frequency converter:                     | NONE                          |





Company name:

Created by:

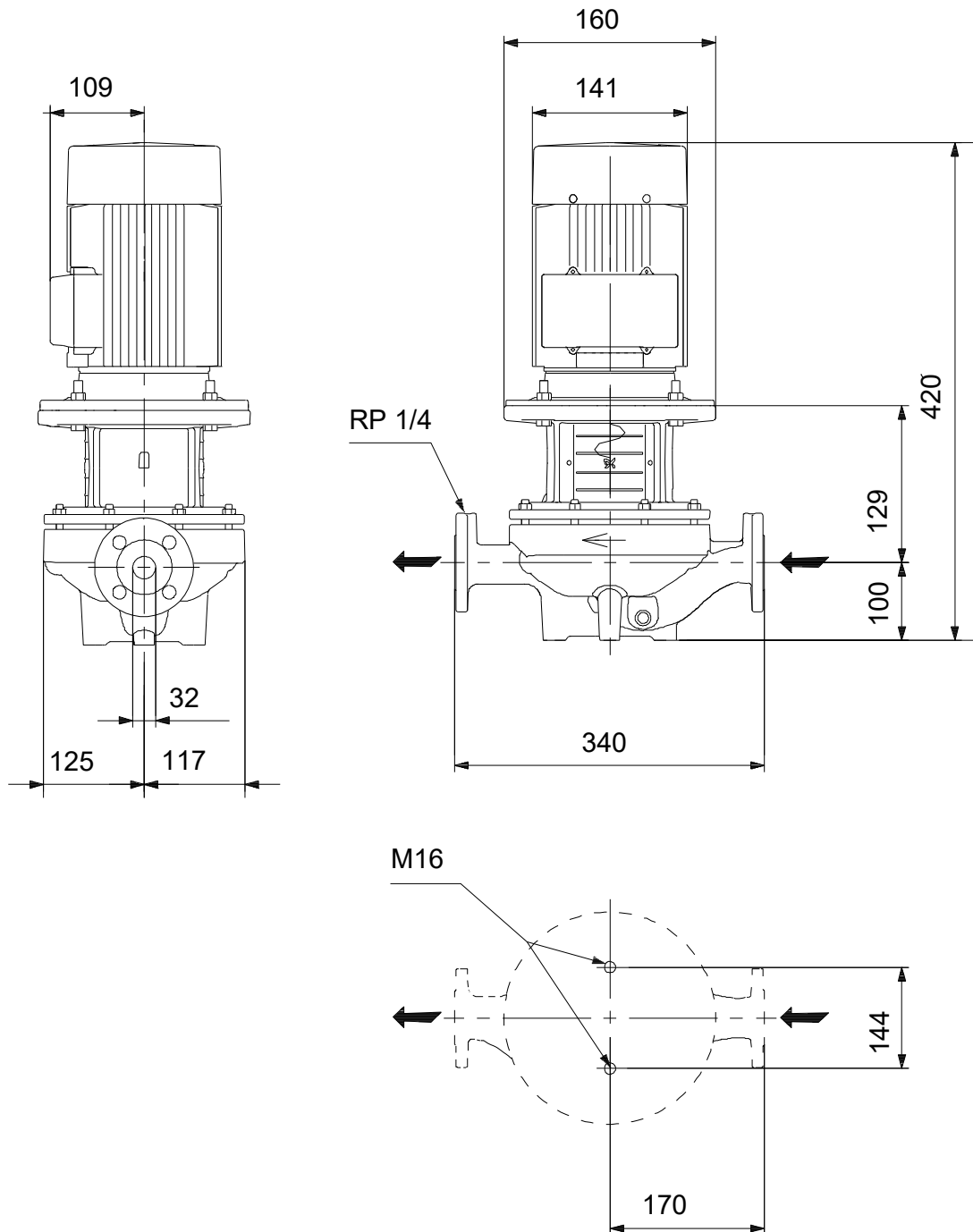
Phone:

Date:

08/08/2022

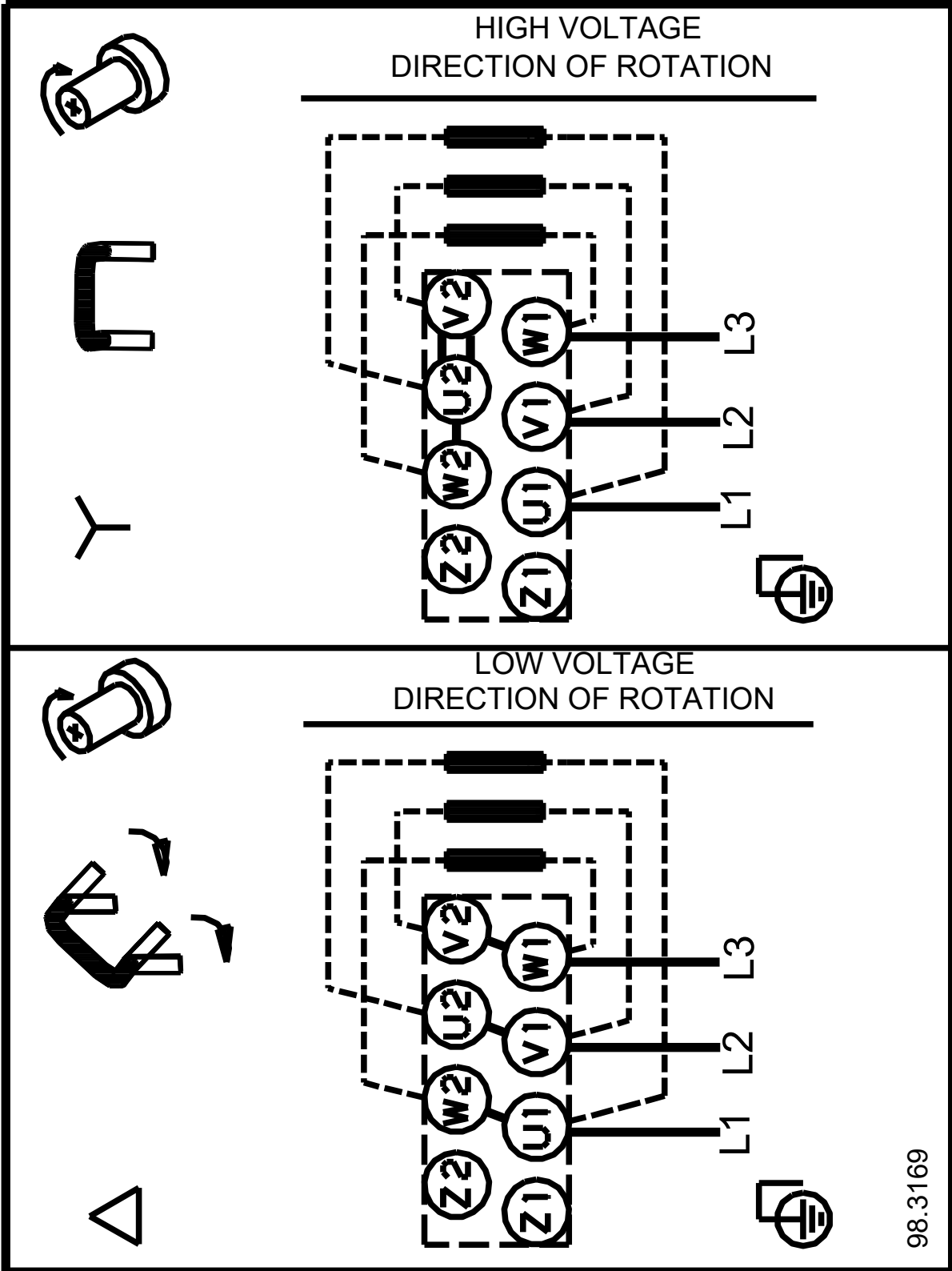
| Description                      | Value                |
|----------------------------------|----------------------|
| <b>Others:</b>                   |                      |
| Minimum efficiency index, MEI ≥: | 0.70                 |
| Net weight:                      | 36 kg                |
| Gross weight:                    | 47 kg                |
| Shipping volume:                 | 0.162 m <sup>3</sup> |
| Danish VVS No.:                  | 381711100            |
| Finnish LVI No.:                 | 4616012              |
| Norwegian NRF no.:               | 9043518              |
| Country of origin:               | HU                   |
| Custom tariff no.:               | 84137051             |

## 96086740 TP 32-100/4 A-F-A-BQQE-DX3 50 Hz



Note! All units are in [mm] unless others are stated.  
Disclaimer: This simplified dimensional drawing does not show all details.

**96086740 TP 32-100/4 A-F-A-BQQE-DX3 50 Hz**



98.3169

Note! All units are in [mm] unless others are stated.