

Qty. Description

1 TP 65-110/4 A-F-A-BQQE-GX3



Note! Product picture may differ from actual product

Product No.: [96087442](#)

Single-stage, close-coupled, volute pump with in-line suction and discharge ports of identical diameter.

The pump is of the top-pull-out design, i.e. the power head (motor, pump head and impeller) can be removed for maintenance or service while the pump housing remains in the pipework.

The pump is fitted with an unbalanced rubber bellows seal.

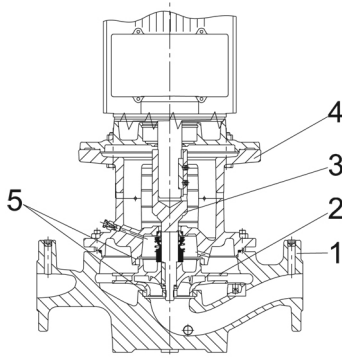
The shaft seal is according to EN 12756. Pipework connection is via PN 16 DIN flanges (EN 1092-2 and ISO 7005-2).

The pump is fitted with a fan-cooled asynchronous motor.

The product's minimum efficiency index (MEI) is greater or equal to 0.70. This is by the Commission Regulation (EU) considered as an indicative benchmark for best-performing water pump available on the market as from 1 January 2013.

Cast-iron parts have an epoxy-based coating made in a cathodic electro-deposition (CED) process. CED is a high-quality dip-painting process where an electrical field around the products ensures deposition of paint particles as a thin, well-controlled layer on the surface.

Pump



1: Pump housing

2: Impeller

3: Stub shaft

4: Pump head/motor stool

5: Wear rings

The pump housing is provided with a replaceable brass neck ring to reduce the amount of liquid running from the outlet side of the impeller to the inlet side.

The impeller is secured to the shaft with a nut.

The pump is fitted with an unbalanced rubber bellows seal with torque transmission across the spring and around the bellows. Due to the bellows, the seal does not wear the shaft, and the axial movement is not prevented by deposits on the shaft.

Seal faces:

- Rotating seal ring material: silicon carbide (SiC)
- Stationary seat material: silicon carbide (SiC)

This material pairing is used where higher corrosion resistance is required. The high hardness of this material pairing offers good resistance against abrasive particles.

Qty.	Description
	Max pressure at stated temp: 16 bar / 120 °C
	Type of connection: DIN
	Size of connection: DN 65
	Pressure rating for connection: PN 16
	Port-to-port length: 475 mm
	Flange size for motor: FF165
	Electrical data:
	Motor type: SIEMENS
	IE Efficiency class: IE3
	Rated power - P2: 1.1 kW
	Mains frequency: 50 Hz
	Rated voltage: 3 x 220-240D/380-420Y V
	Rated current: 4.2/2.4 A
	Starting current: 690-690 %
	Cos phi - power factor: 0.78
	Rated speed: 1440 rpm
	Efficiency: IE3 84,1%
	Motor efficiency at full load: 84.1-84.1 %
	Motor efficiency at 3/4 load: 84.7-84.7 %
	Motor efficiency at 1/2 load: 83.4-83.4 %
	Number of poles: 4
	Enclosure class (IEC 34-5): IP55
	Insulation class (IEC 85): F
	Motor No: 83V02205
	Others:
	Minimum efficiency index, MEI \geq : 0.70
	Net weight: 63.1 kg
	Gross weight: 82 kg
	Shipping volume: 0.39 m ³
	Danish VVS No.: 381714110
	Finnish LVI No.: 4616071
	Norwegian NRF no.: 9043568
	Country of origin: HU
	Custom tariff no.: 84137051



Company name: Pump Sales Direct

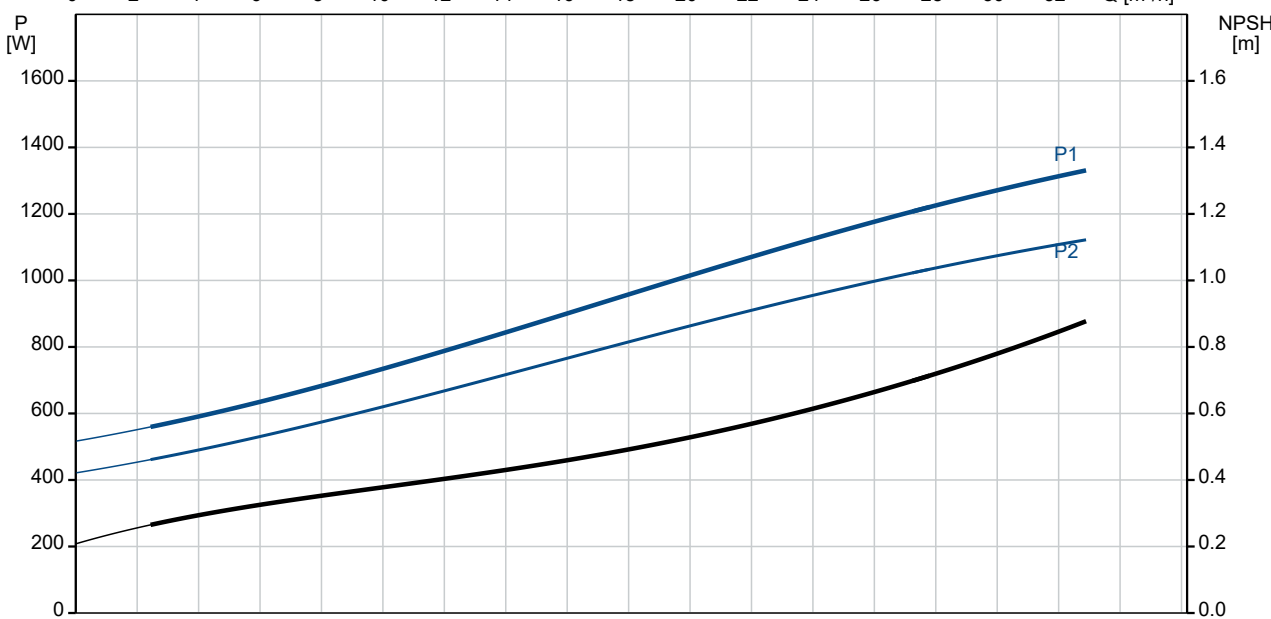
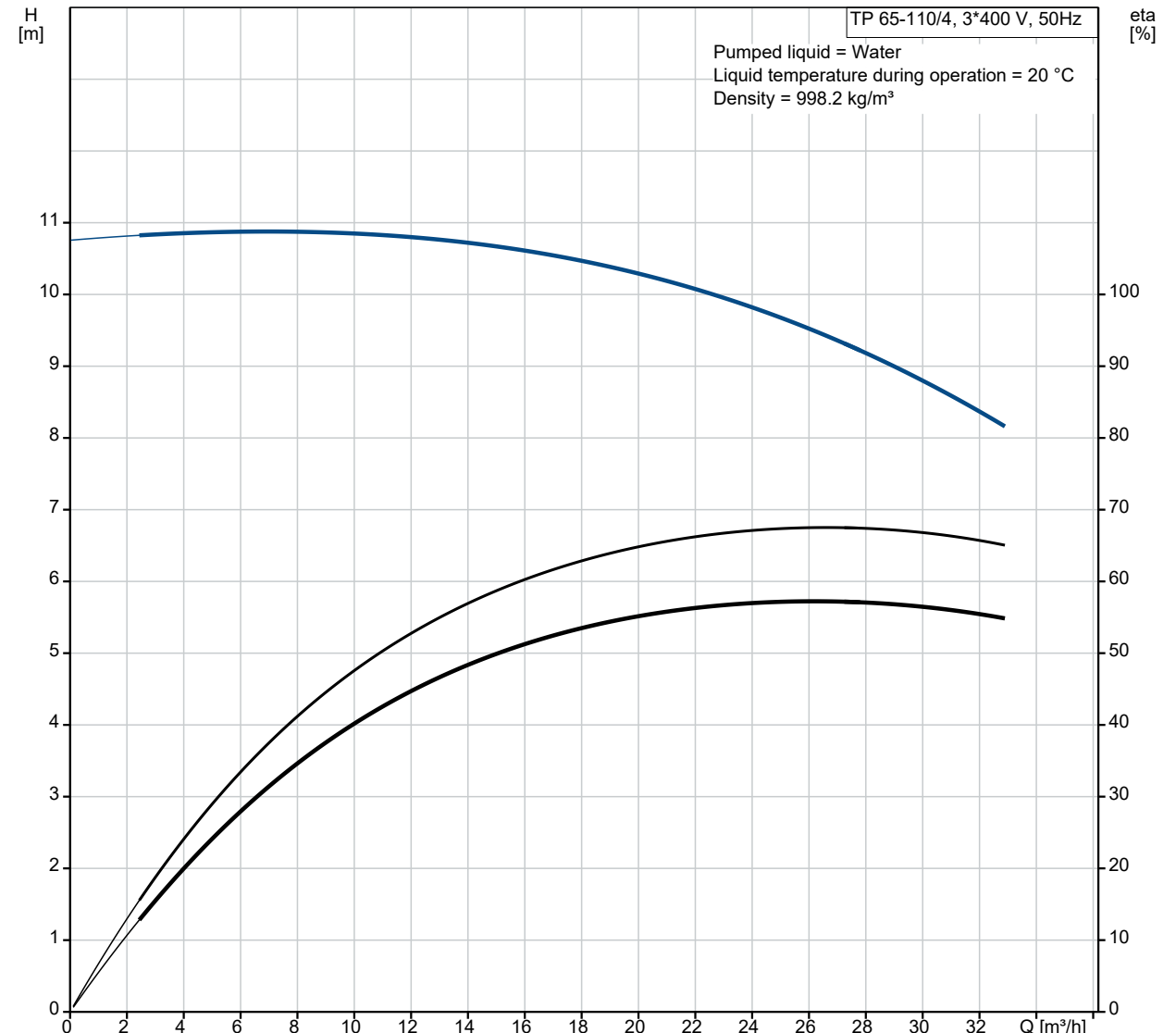
Created by:

Phone:

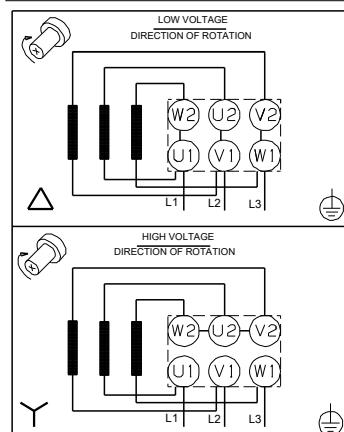
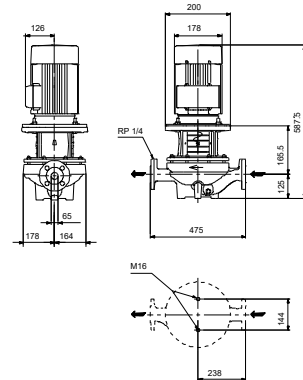
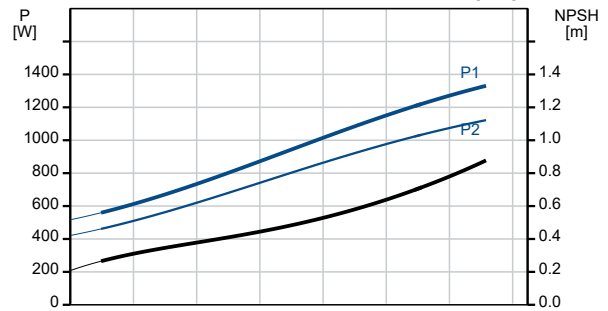
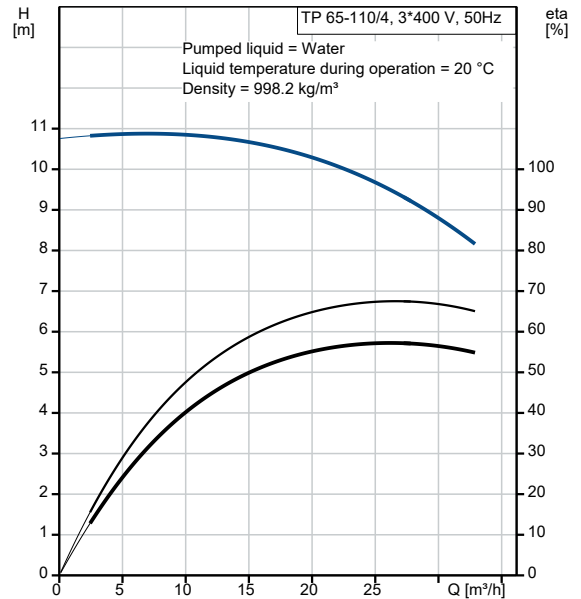
Date:

23/06/2022

96087442 TP 65-110/4 A-F-A-BQQE-GX3 50 Hz



Description	Value
General information:	
Product name:	TP 65-110/4 A-F-A-BQQE-GX3
Product No:	96087442
EAN number:	5700395314083
Technical:	
Pump speed on which pump data are based:	1430 rpm
Rated flow:	26.8 m ³ /h
Rated head:	9.5 m
Maximum head:	110 dm
Actual impeller diameter:	180 mm
Code for shaft seal:	BQQE
Curve tolerance:	ISO9906:2012 3B2
Pump version:	A
Materials:	
Pump housing:	Cast iron
Pump housing:	EN-GJL-250
Pump housing:	ASTM class 35
Impeller:	Cast iron
Impeller:	EN-GJL-200
Impeller:	ASTM class 30
Material code:	A
Installation:	
Range of ambient temperature:	-20 .. 55 °C
Maximum operating pressure:	16 bar
Max pressure at stated temp:	16 bar / 120 °C
Type of connection:	DIN
Size of connection:	DN 65
Pressure rating for connection:	PN 16
Port-to-port length:	475 mm
Flange size for motor:	FF165
Connect code:	F
Liquid:	
Pumped liquid:	Water
Liquid temperature range:	-25 .. 120 °C
Selected liquid temperature:	20 °C
Density:	998.2 kg/m ³
Electrical data:	
Motor type:	SIEMENS
IE Efficiency class:	IE3
Rated power - P2:	1.1 kW
Mains frequency:	50 Hz
Rated voltage:	3 x 220-240D/380-420Y V
Rated current:	4.2/2.4 A
Starting current:	690-690 %
Cos phi - power factor:	0.78
Rated speed:	1440 rpm
Efficiency:	IE3 84,1%
Motor efficiency at full load:	84.1-84.1 %
Motor efficiency at 3/4 load:	84.7-84.7 %
Motor efficiency at 1/2 load:	83.4-83.4 %
Number of poles:	4
Enclosure class (IEC 34-5):	IP55
Insulation class (IEC 85):	F
Built-in motor protection:	NONE
Motor No:	83V02205
Controls:	
Frequency converter:	NONE





Company name: Pump Sales Direct

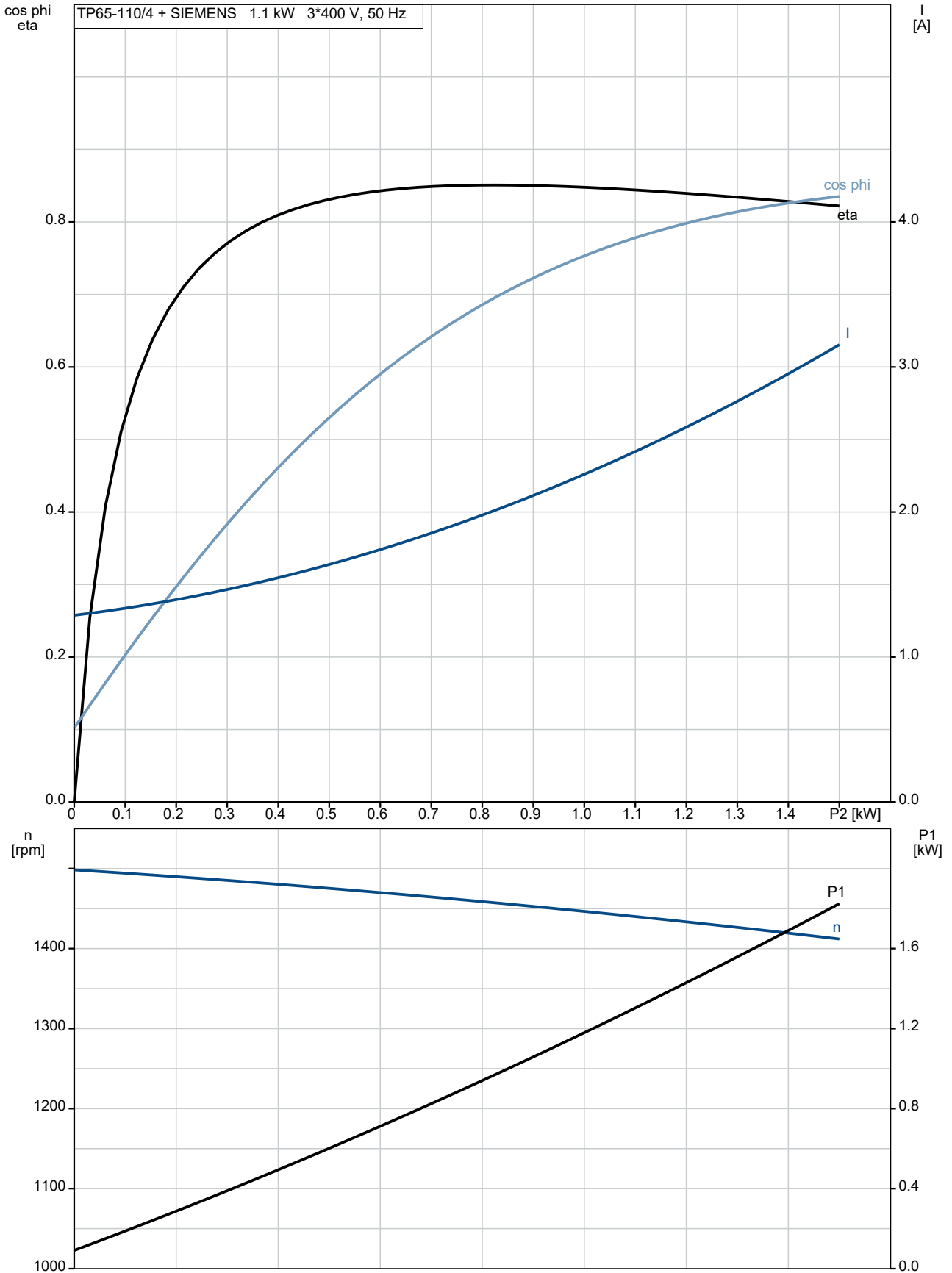
Created by:

Phone:

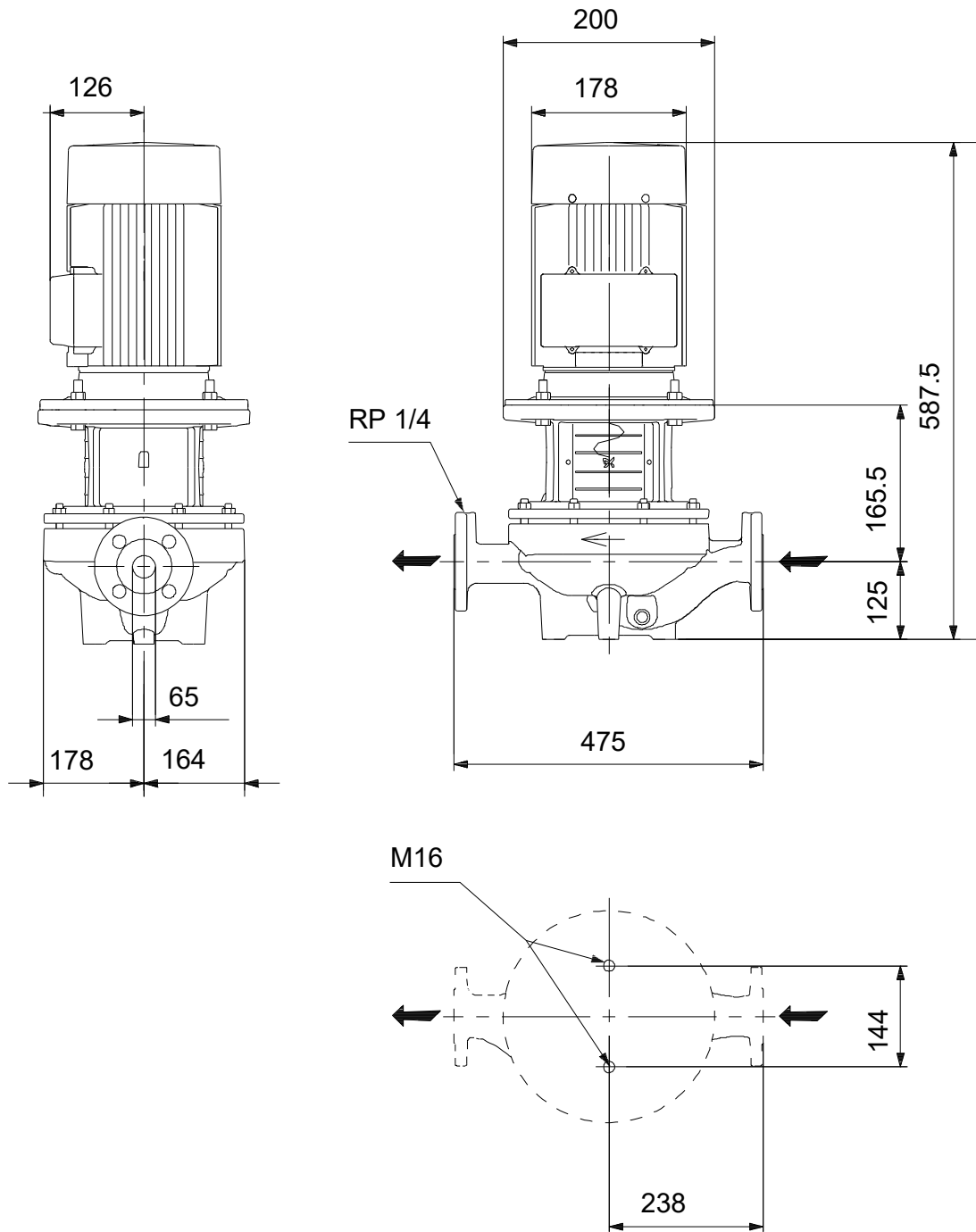
Date: 23/06/2022

Description	Value
Others:	
Minimum efficiency index, MEI \geq :	0.70
Net weight:	63.1 kg
Gross weight:	82 kg
Shipping volume:	0.39 m ³
Danish VVS No.:	381714110
Finnish LVI No.:	4616071
Norwegian NRF no.:	9043568
Country of origin:	HU
Custom tariff no.:	84137051

96087442 TP 65-110/4 A-F-A-BQQE-GX3 50 Hz

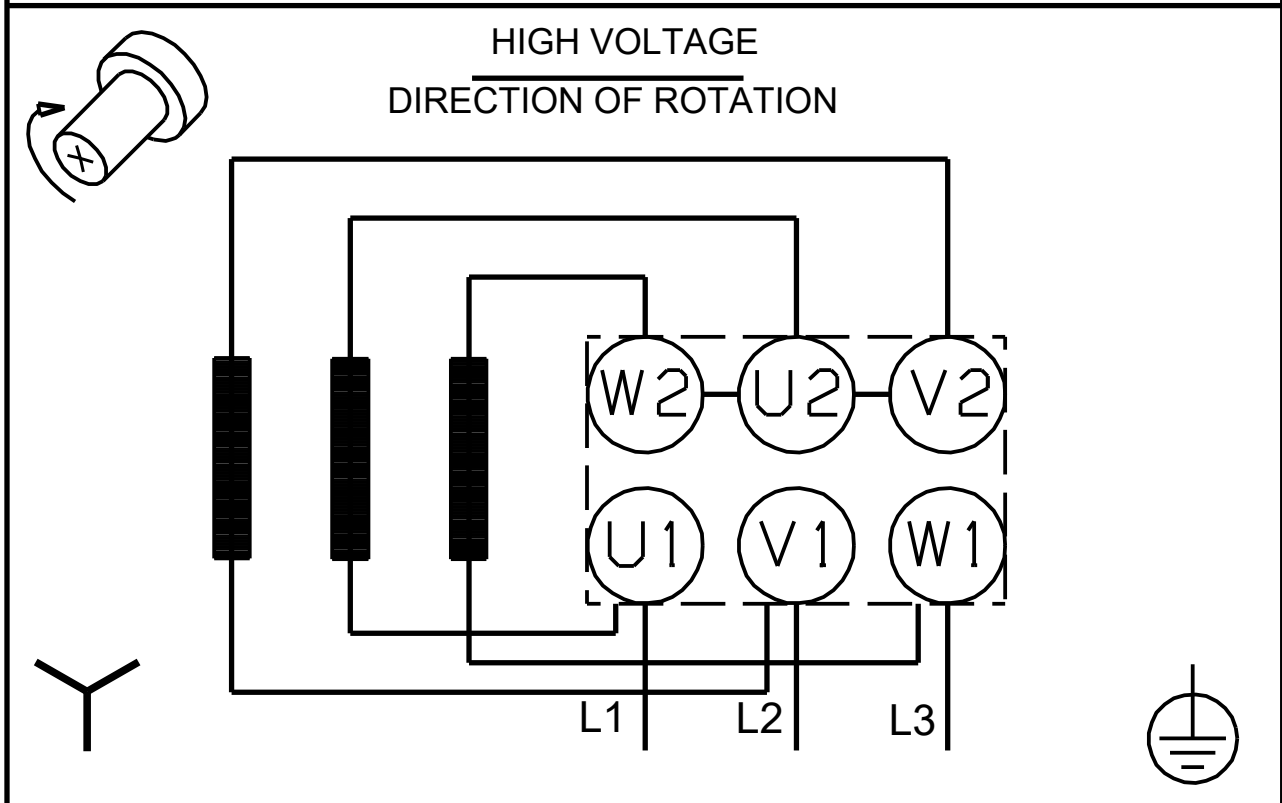
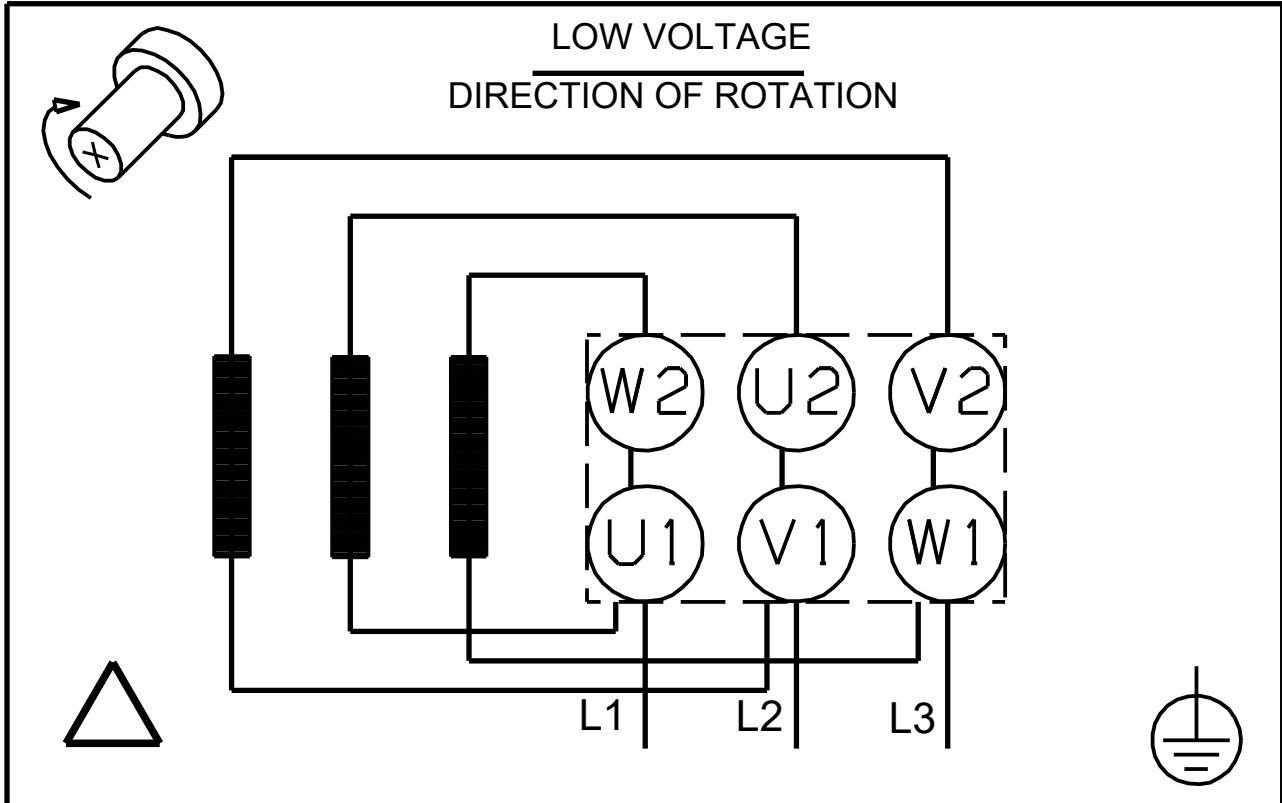


96087442 TP 65-110/4 A-F-A-BQQE-GX3 50 Hz



Note! All units are in [mm] unless others are stated.
Disclaimer: This simplified dimensional drawing does not show all details.

96087442 TP 65-110/4 A-F-A-BQQE-GX3 50 Hz



Note! All units are in [mm] unless others are stated.



Company name: Pump Sales Direct

Created by:

Phone:

Date: 23/06/2022

Order Data:

Product name: TP 65-110/4

Amount: 1

Product No: 96087442

Total: Price on request
