
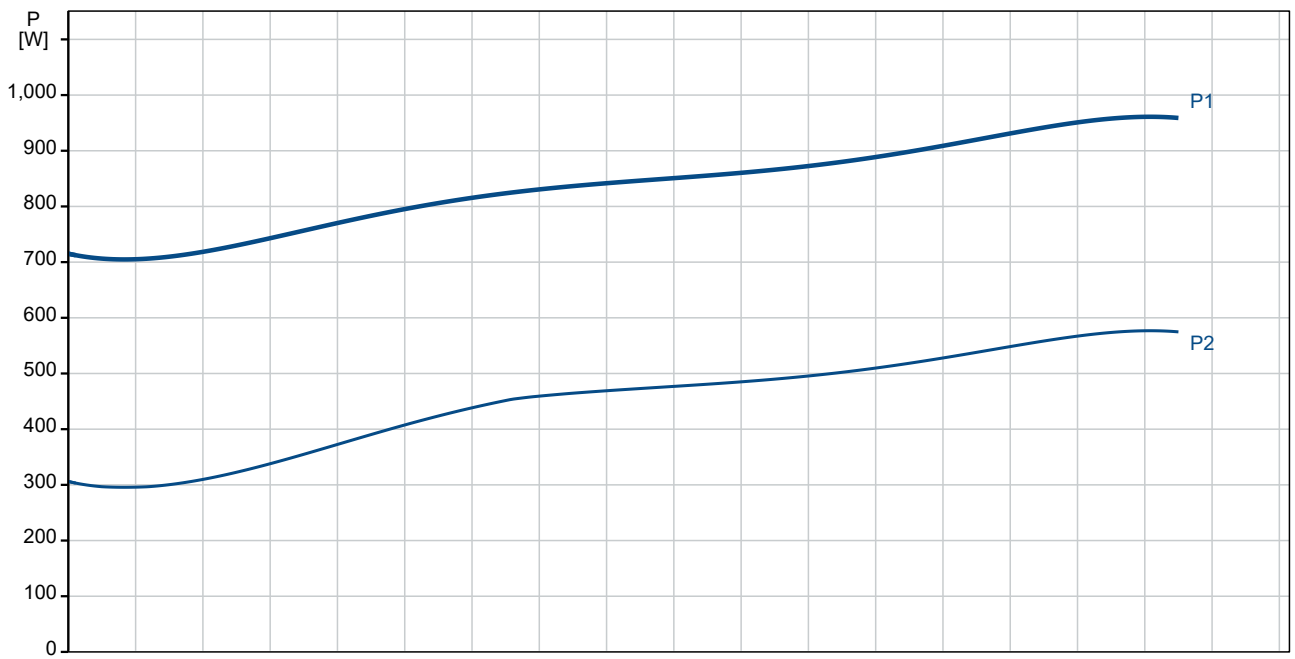
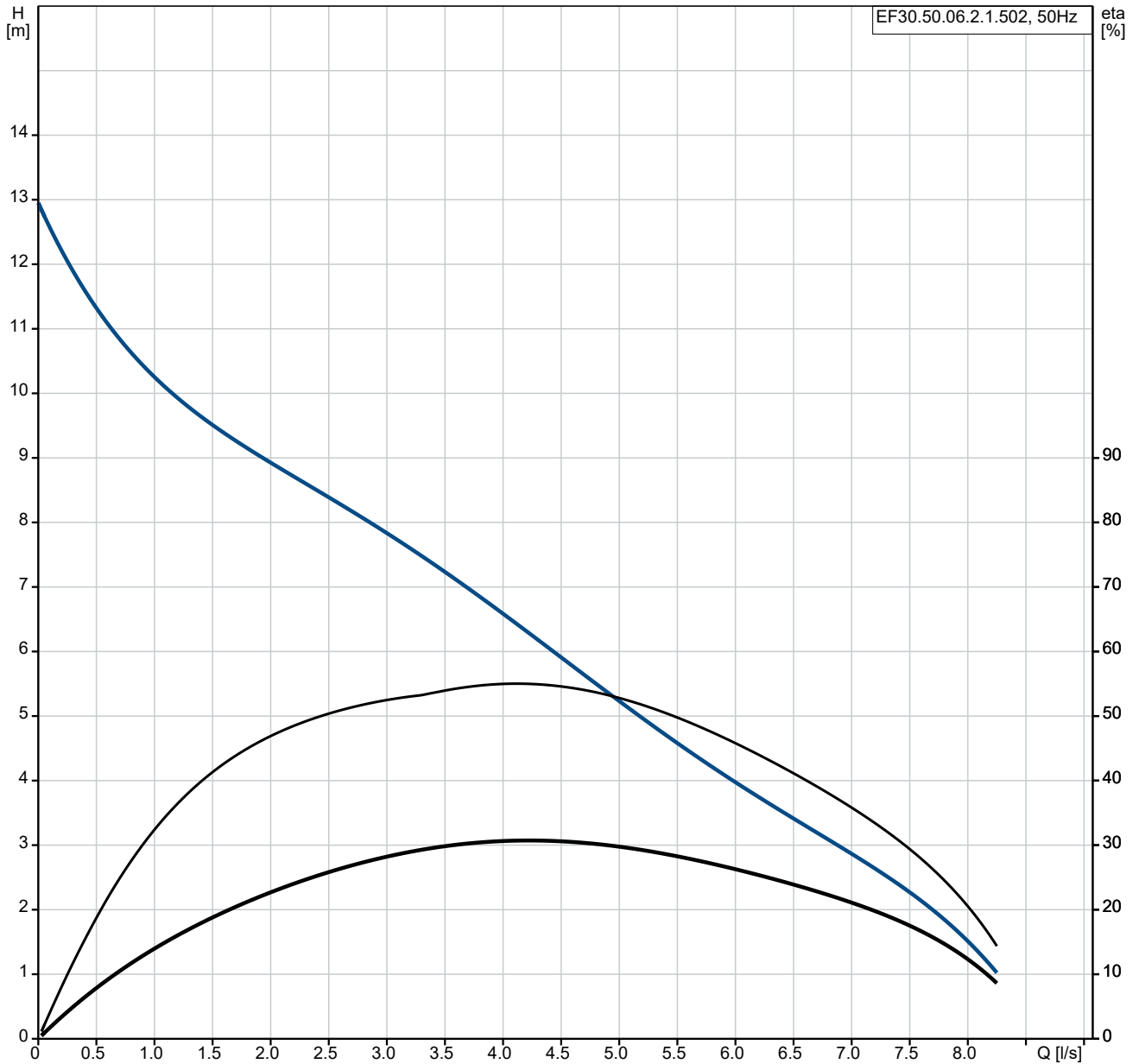


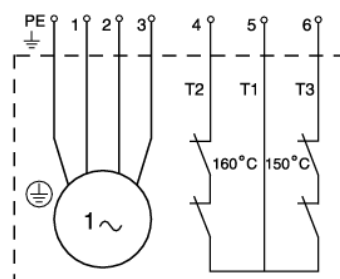
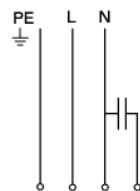
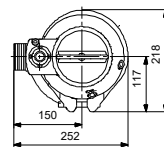
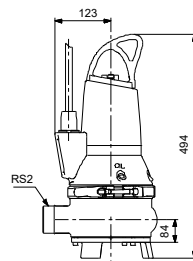
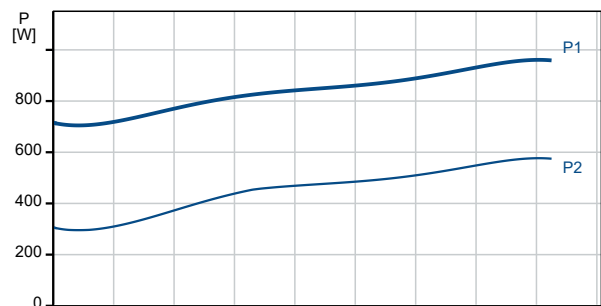
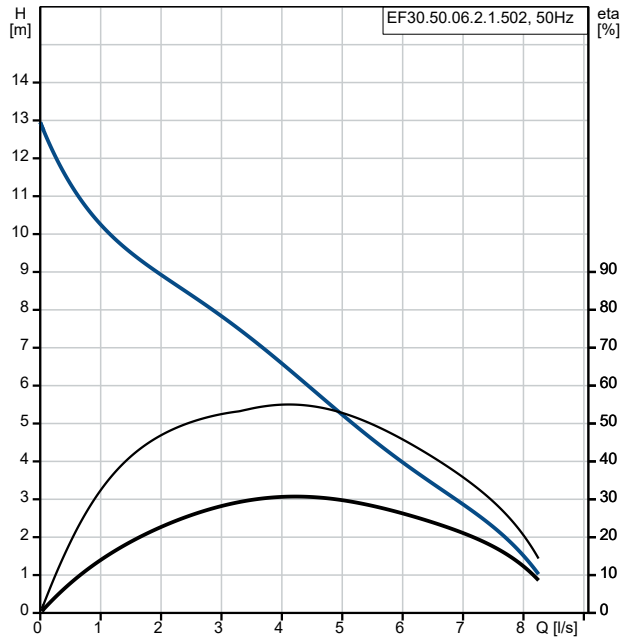
| Qty. | Description  |
|------|--|
| 1    | <p data-bbox="199 159 416 188"><b>EF30.50.06.2.1.502</b></p>  <p data-bbox="592 506 1062 530" style="text-align: center;"><b>Note! Product picture may differ from actual product</b></p> <p data-bbox="199 539 464 566">Product No.: <a href="#">96106546</a></p> <p data-bbox="199 598 1133 627">GRUNDFOS EF pump is a portable pump for both domestic and industrial applications.</p> <p data-bbox="199 658 1283 687">The pump has a single-vane, semi-open impeller for 30 mm free passage and is suitable for pumping</p> <ul data-bbox="199 689 1283 804" style="list-style-type: none"> <li>• drainage and surface water with small impurities</li> <li>• wastewater with fibres, e.g. from laundries</li> <li>• wastewater without discharge from toilets</li> <li>• wastewater from commercial buildings without discharge from toilets.</li> </ul> <p data-bbox="199 835 1197 864">The compact design makes the pump suitable for both temporary and permanent installation.</p> <p data-bbox="199 896 1350 925">The pump is a cast iron submersible pump with integrated submersible 1-phase motor. Approvals: LGA</p> <p data-bbox="199 956 1034 985">The pump has an intermediate oil chamber pre-filled with non-toxic special oil.</p> <p data-bbox="199 1016 1377 1068">The pump is fitted with a cable plug for easy dismantling. This plug is hermetically sealed with polyurethane to prevent water from penetrating through the cable into the motor.</p> <p data-bbox="199 1099 1401 1151">A clamp between pump housing and motor ensures easy and safe dismantling and assembly. Inspection can be done in the field without any special tools.</p> <p data-bbox="199 1189 1455 1240">The pump is fitted with a double shaft seal in the unique cartridge design. This makes it easy to replace the shaft seal very quickly in the field without any special tools. It also eliminates the risk of faulty installation.</p> <p data-bbox="199 1276 1187 1305">The motor is insulation class F and has long-life, deep-groove, greased-for-life ball bearings.</p> <p data-bbox="199 1337 1409 1366">The pump has R 2 discharge port and is ready for installation either free-standing or on an auto-coupling system.</p> <p data-bbox="199 1397 300 1426"><b>Controls:</b></p> <p data-bbox="199 1429 834 1458">Moisture sensor: without moisture sensors</p> <p data-bbox="199 1460 847 1489">Water-in-oil sensor: without water-in-oil sensor</p> <p data-bbox="199 1491 660 1520">AUTOADAPT with/without (Yes/No): NO</p> <p data-bbox="199 1552 276 1581"><b>Liquid:</b></p> <p data-bbox="199 1583 668 1612">Liquid temperature range: 0 .. 40 °C</p> <p data-bbox="199 1615 695 1644">Density: 998.2 kg/m<sup>3</sup></p> <p data-bbox="199 1675 316 1704"><b>Technical:</b></p> <p data-bbox="199 1706 612 1736">Max flow: 9 l/s</p> <p data-bbox="199 1738 702 1767">Type of impeller: SEMI OPEN</p> <p data-bbox="199 1769 641 1798">Maximum particle size: 30 mm</p> <p data-bbox="199 1800 655 1830">Primary shaft seal: SIC/SIC</p> <p data-bbox="199 1832 624 1861">Max. hydraulic efficiency: 63 %</p> <p data-bbox="199 1863 616 1892">Approvals on nameplate: LGA</p> <p data-bbox="199 1895 772 1924">Curve tolerance: ISO9906:2012 3B2</p> <p data-bbox="199 1955 309 1984"><b>Materials:</b></p> <p data-bbox="199 1986 702 2045">Pump housing: Cast iron<br/>EN-GJL-250</p> <p data-bbox="199 2047 724 2105">Impeller: Cast iron<br/>EN-GJS-500-7</p> |

| Qty. | Description   |
|------|---|
| 1    | <p>Installation:</p> <p>t max amb: 40 °C</p> <p>Maximum operating pressure: 6 bar</p> <p>Pump outlet: R 2</p> <p>Maximum installation depth: 10 m</p> <p>Auto-coupling: Y</p> <p>Electrical data:</p> <p>Power input - P1: 1 kW</p> <p>Rated power - P2: 0.6 kW</p> <p>Mains frequency: 50 Hz</p> <p>Rated voltage: 1 x 230 V</p> <p>Voltage tolerance: +6/-10 %</p> <p>Max starts per. hour: 30</p> <p>Rated current: 4.8 A</p> <p>Rated current at 3/4 load: 4.1 A</p> <p>Rated current at 1/2 load: 3.4 A</p> <p>Starting current: 38 A</p> <p>Rated current at no load: 2.6 A</p> <p>Cos phi - power factor: 0.90</p> <p>Cos phi - p.f. at 3/4 load: 0.86</p> <p>Cos phi - p.f. at 1/2 load: 0.81</p> <p>Rated speed: 2920 rpm</p> <p>Locked-rotor torque: 6.5 Nm</p> <p>Breakdown torque: 7 Nm</p> <p>Moment of inertia: 0.0035 kg m<sup>2</sup></p> <p>Motor efficiency at full load: 61 %</p> <p>Motor efficiency at 3/4 load: 55 %</p> <p>Motor efficiency at 1/2 load: 42 %</p> <p>Capacitor size - run: 30 µF</p> <p>Number of poles: 2</p> <p>Start. method: direct-on-line</p> <p>Enclosure class (IEC 34-5): IP68</p> <p>Insulation class (IEC 85): F</p> <p>Explosion proof: no</p> <p>Length of cable: 10 m</p> <p>Cable type: H07RN-F</p> <p>Type of cable plug: No plug</p> <p>Others:</p> <p>Net weight: 41 kg</p> <p>Danish VVS No.: 391292112</p> <p>Swedish RSK No.: 5885767</p> <p>Country of origin: HU</p> <p>Custom tariff no.: 84137021</p> |

# 96106546 EF30.50.06.2.1.502 50 Hz

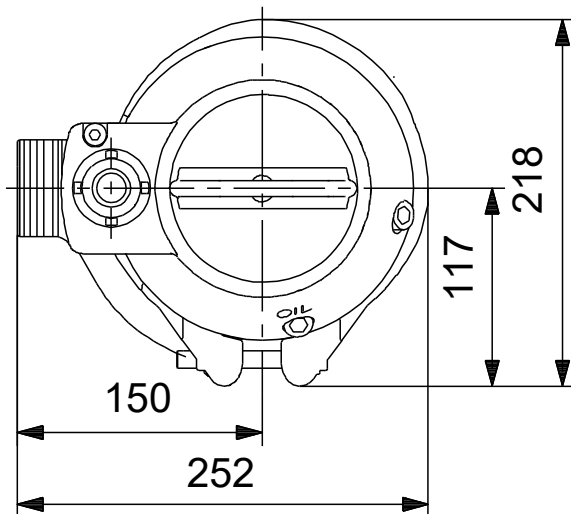
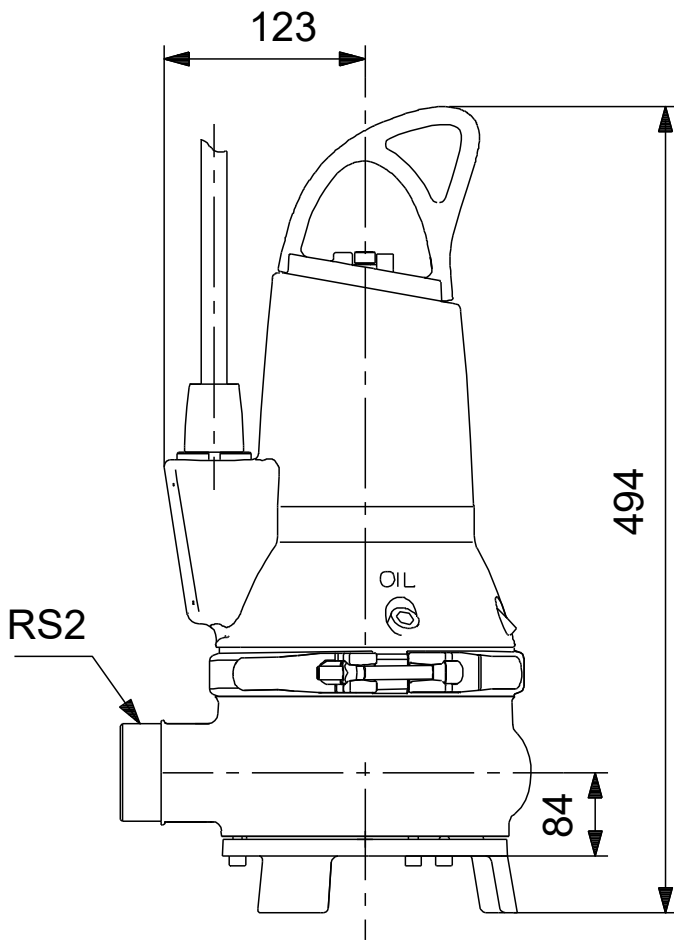


| Description                    | Value                    |
|--------------------------------|--------------------------|
| <b>General information:</b>    |                          |
| Product name:                  | EF30.50.06.2.1.502       |
| Product No:                    | 96106546                 |
| EAN number:                    | 5700396853963            |
| <b>Technical:</b>              |                          |
| Max flow:                      | 9 l/s                    |
| Head max:                      | 13.6 m                   |
| Type of impeller:              | SEMI OPEN                |
| Maximum particle size:         | 30 mm                    |
| Primary shaft seal:            | SIC/SIC                  |
| Max. hydraulic efficiency:     | 63 %                     |
| Approvals on nameplate:        | LGA                      |
| Curve tolerance:               | ISO9906:2012 3B2         |
| <b>Materials:</b>              |                          |
| Pump housing:                  | Cast iron                |
| Pump housing:                  | EN-GJL-250               |
| Impeller:                      | Cast iron                |
| Impeller:                      | EN-GJS-500-7             |
| <b>Installation:</b>           |                          |
| t max amb:                     | 40 °C                    |
| Maximum operating pressure:    | 6 bar                    |
| Pump outlet:                   | R 2                      |
| Maximum installation depth:    | 10 m                     |
| Inst dry/wet:                  | S                        |
| Installation:                  | vertical                 |
| Auto-coupling:                 | Y                        |
| <b>Liquid:</b>                 |                          |
| Liquid temperature range:      | 0 .. 40 °C               |
| Density:                       | 998.2 kg/m <sup>3</sup>  |
| <b>Electrical data:</b>        |                          |
| Power input - P1:              | 1 kW                     |
| Rated power - P2:              | 0.6 kW                   |
| Mains frequency:               | 50 Hz                    |
| Rated voltage:                 | 1 x 230 V                |
| Voltage tolerance:             | +6/-10 %                 |
| Max starts per. hour:          | 30                       |
| Rated current:                 | 4.8 A                    |
| Rated current at 3/4 load:     | 4.1 A                    |
| Rated current at 1/2 load:     | 3.4 A                    |
| Starting current:              | 38 A                     |
| Rated current at no load:      | 2.6 A                    |
| Cos phi - power factor:        | 0.90                     |
| Cos phi - p.f. at 3/4 load:    | 0.86                     |
| Cos phi - p.f. at 1/2 load:    | 0.81                     |
| Rated speed:                   | 2920 rpm                 |
| Locked-rotor torque:           | 6.5 Nm                   |
| Breakdown torque:              | 7 Nm                     |
| Moment of inertia:             | 0.0035 kg m <sup>2</sup> |
| Motor efficiency at full load: | 61 %                     |
| Motor efficiency at 3/4 load:  | 55 %                     |
| Motor efficiency at 1/2 load:  | 42 %                     |
| Capacitor size - run:          | 30 µF                    |
| Number of poles:               | 2                        |
| Start. method:                 | direct-on-line           |
| Enclosure class (IEC 34-5):    | IP68                     |
| Insulation class (IEC 85):     | F                        |
| Explosion proof:               | no                       |
| Built-in motor protection:     | THERMAL SWITCH           |
| Thermal protec:                | internal                 |
| Length of cable:               | 10 m                     |
| Cable type:                    | H07RN-F                  |
| Type of cable plug:            | No plug                  |
| <b>Controls:</b>               |                          |
| Control box:                   | not included             |



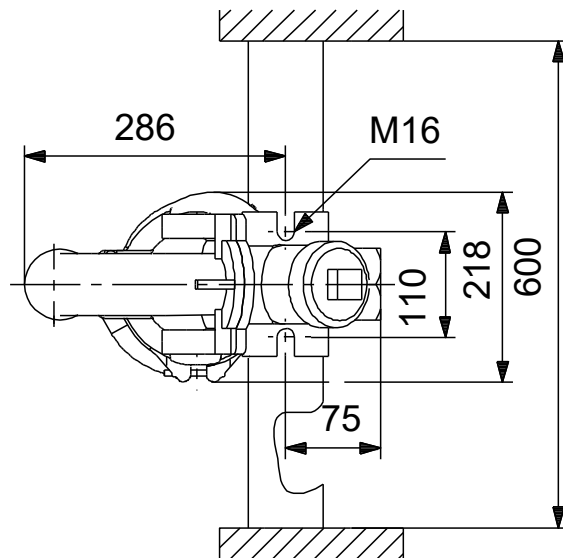
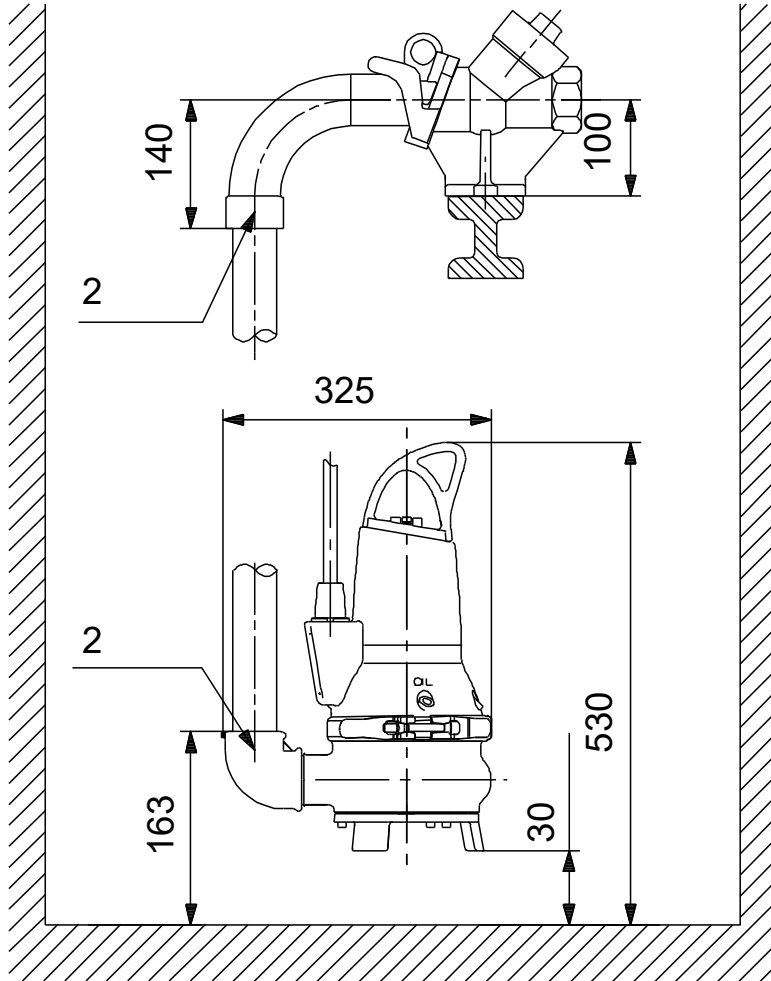
| Description                      | Value                       |
|----------------------------------|-----------------------------|
| Additional I/O:                  | External                    |
| Moisture sensor:                 | without moisture sensors    |
| Water-in-oil sensor:             | without water-in-oil sensor |
| AUTOADAPT with/without (Yes/No): | NO                          |
| <b>Others:</b>                   |                             |
| Net weight:                      | 41 kg                       |
| Danish VVS No.:                  | 391292112                   |
| Swedish RSK No.:                 | 5885767                     |
| Country of origin:               | HU                          |
| Custom tariff no.:               | 84137021                    |

**96106546 EF30.50.06.2.1.502 50 Hz**



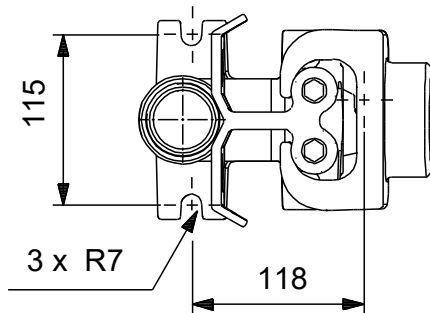
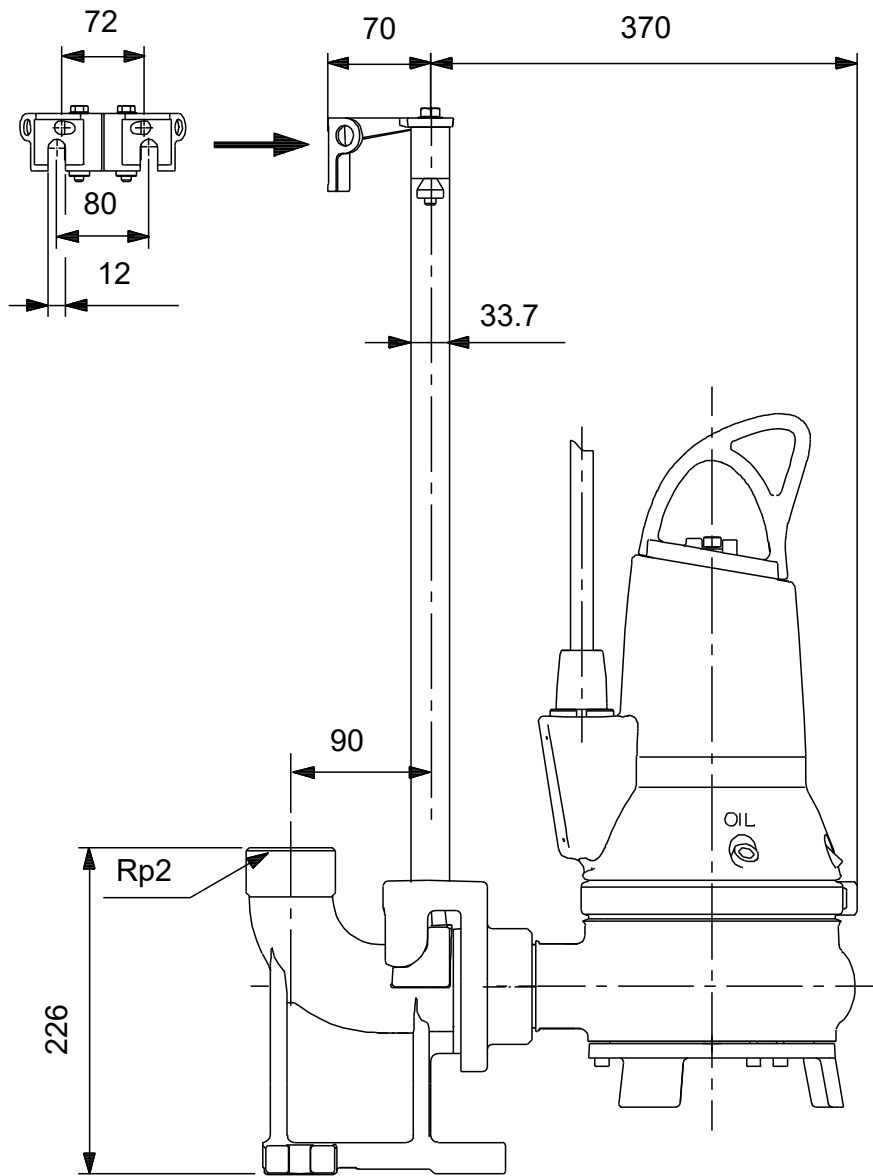
Note! All units are in [mm] unless others are stated.  
Disclaimer: This simplified dimensional drawing does not show all details.

# 96106546 EF30.50.06.2.1.502 50 Hz



Note! All units are in [mm] unless others are stated.  
Disclaimer: This simplified dimensional drawing does not show all details.

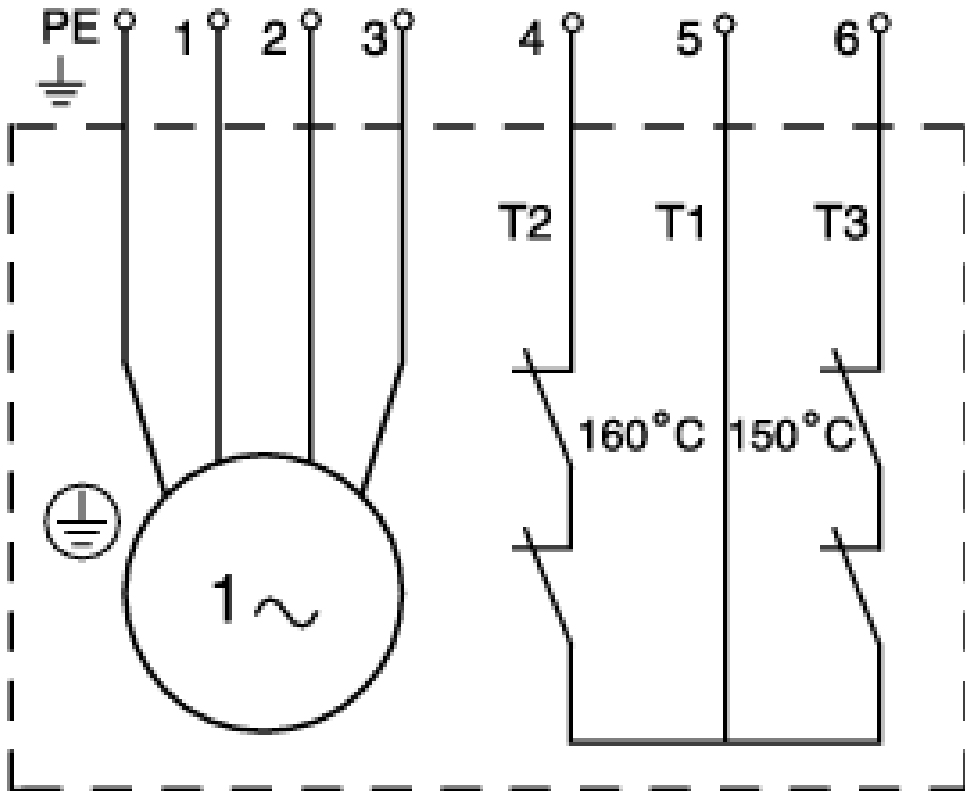
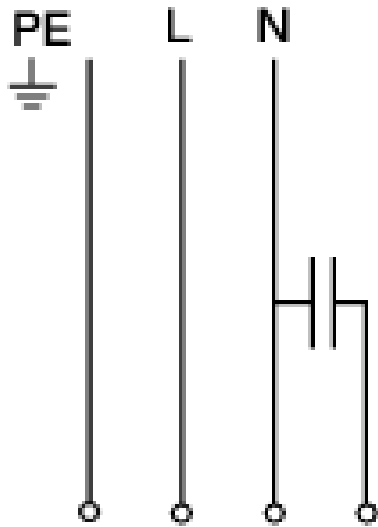
# 96106546 EF30.50.06.2.1.502 50 Hz



Note! All units are in [mm] unless others are stated.  
Disclaimer: This simplified dimensional drawing does not show all details.



96106546 EF30.50.06.2.1.502 50 Hz



Note! All units are in [mm] unless others are stated.

