
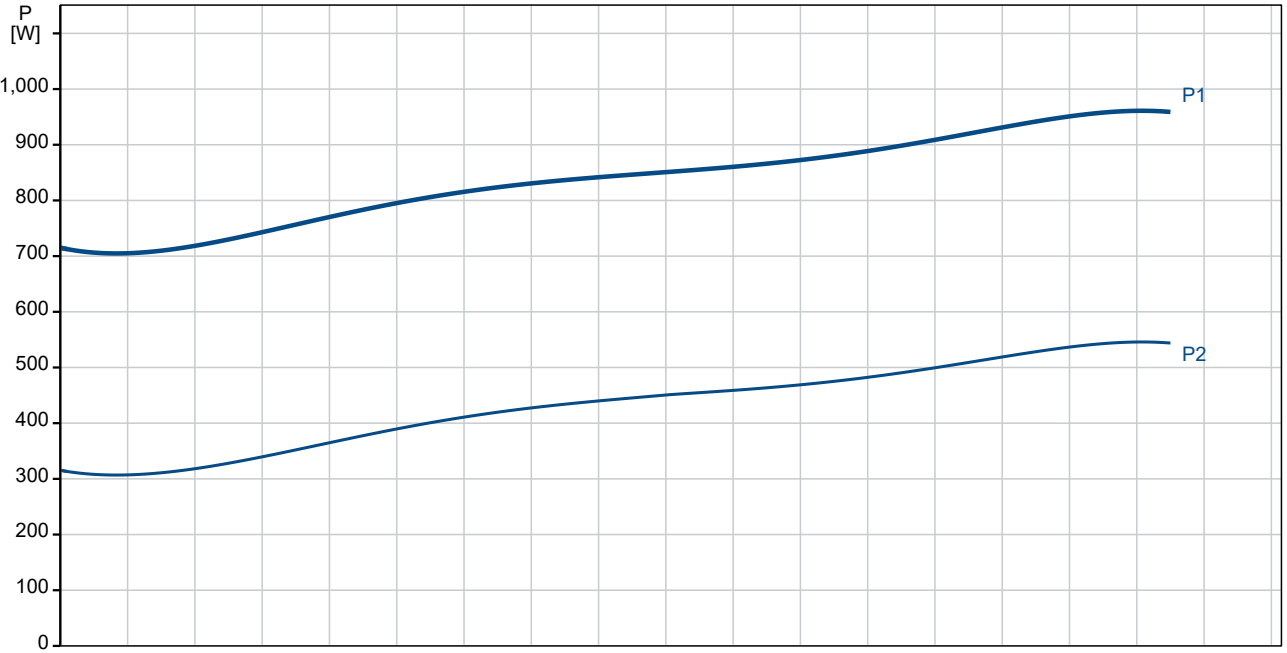
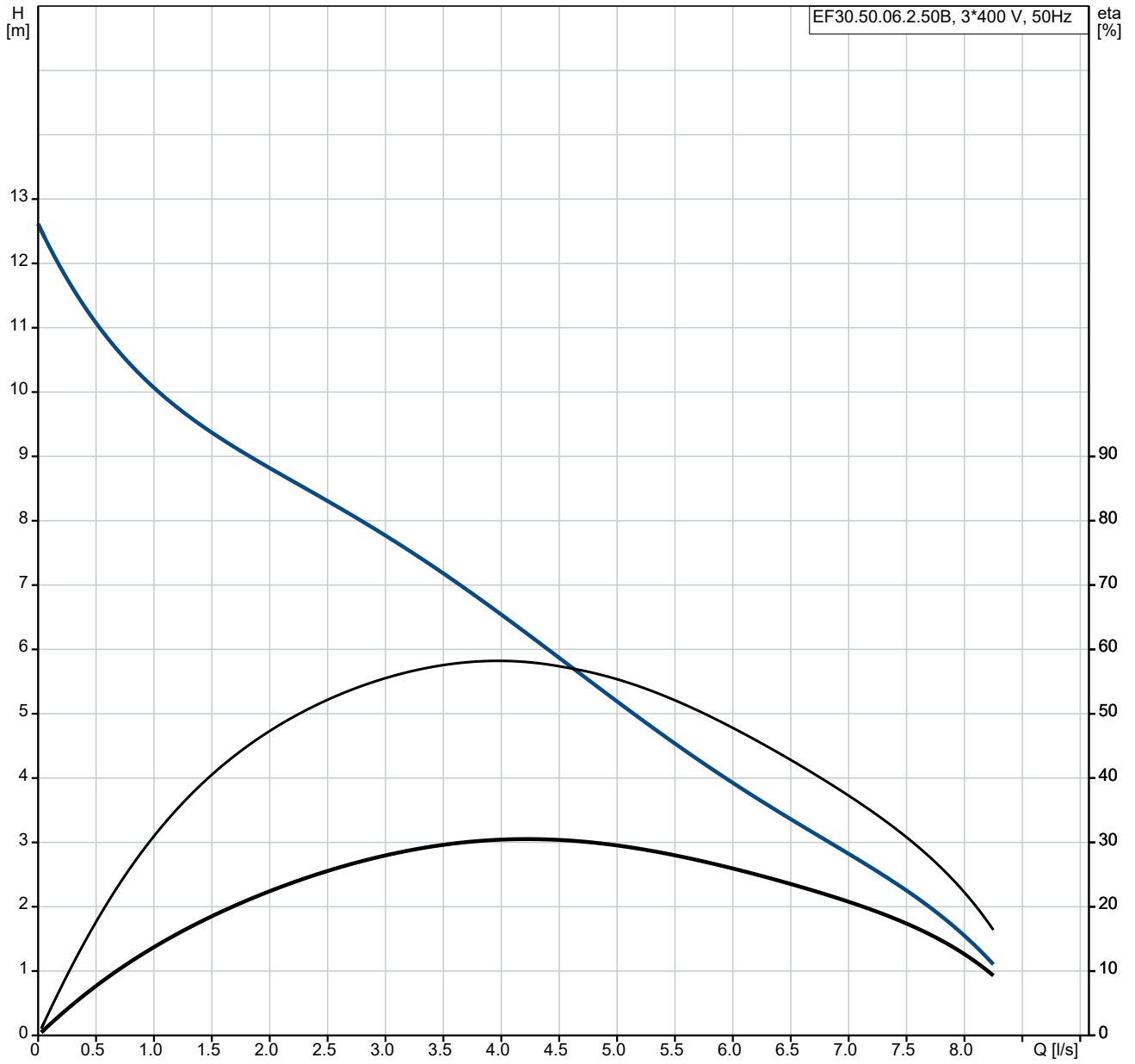


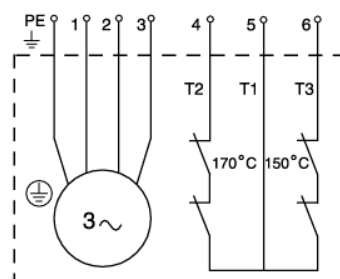
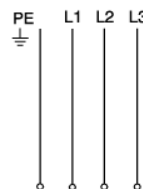
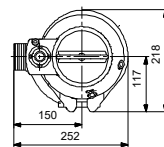
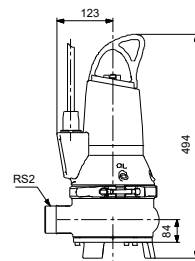
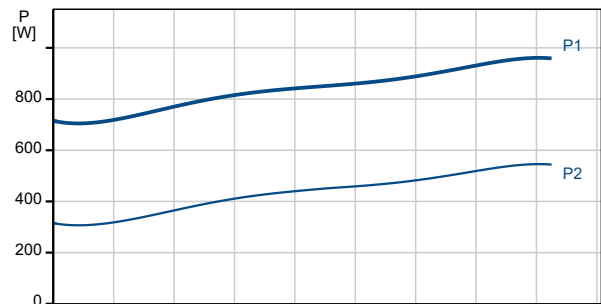
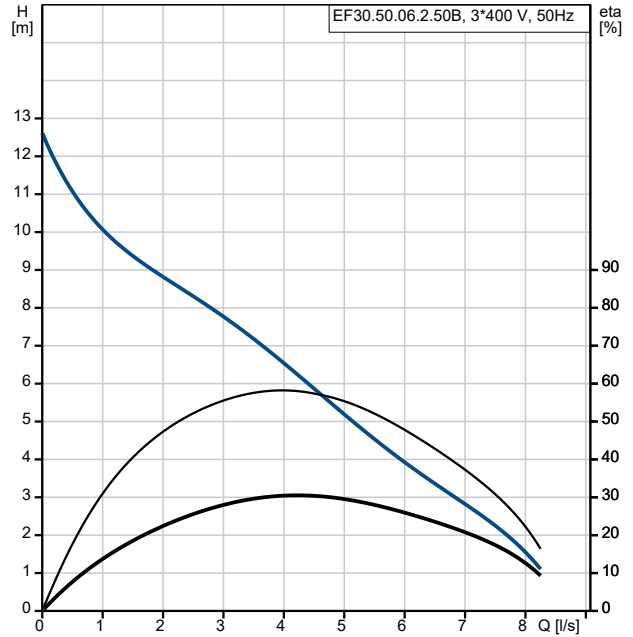
Qty.	Description
1	<p data-bbox="199 159 400 188"><b>EF30.50.06.2.50B</b></p>  <p data-bbox="592 506 1062 530"><b>Note! Product picture may differ from actual product</b></p> <p data-bbox="199 539 464 564">Product No.: <a href="#">96106550</a></p> <p data-bbox="199 598 1134 624">GRUNDFOS EF pump is a portable pump for both domestic and industrial applications.</p> <p data-bbox="199 656 1283 683">The pump has a single-vane, semi-open impeller for 30 mm free passage and is suitable for pumping</p> <ul data-bbox="199 687 1283 804" style="list-style-type: none"> <li>• drainage and surface water with small impurities</li> <li>• wastewater with fibres, e.g. from laundries</li> <li>• wastewater without discharge from toilets</li> <li>• wastewater from commercial buildings without discharge from toilets.</li> </ul> <p data-bbox="199 835 1197 862">The compact design makes the pump suitable for both temporary and permanent installation.</p> <p data-bbox="199 893 1350 920">The pump is a cast iron submersible pump with integrated submersible 3-phase motor. Approvals: LGA</p> <p data-bbox="199 952 1035 978">The pump has an intermediate oil chamber pre-filled with non-toxic special oil.</p> <p data-bbox="199 1010 1377 1064">The pump is fitted with a cable plug for easy dismantling. This plug is hermetically sealed with polyurethane to prevent water from penetrating through the cable into the motor.</p> <p data-bbox="199 1099 1401 1153">A clamp between pump housing and motor ensures easy and safe dismantling and assembly. Inspection can be done in the field without any special tools.</p> <p data-bbox="199 1189 1457 1243">The pump is fitted with a double shaft seal in the unique cartridge design. This makes it easy to replace the shaft seal very quickly in the field without any special tools. It also eliminates the risk of faulty installation.</p> <p data-bbox="199 1279 1187 1305">The motor is insulation class F and has long-life, deep-groove, greased-for-life ball bearings.</p> <p data-bbox="199 1337 1409 1364">The pump has R 2 discharge port and is ready for installation either free-standing or on an auto-coupling system.</p> <p data-bbox="199 1395 301 1422"><b>Controls:</b></p> <p data-bbox="199 1426 834 1453">Moisture sensor: without moisture sensors</p> <p data-bbox="199 1458 847 1485">Water-in-oil sensor: without water-in-oil sensor</p> <p data-bbox="199 1489 660 1516">AUTOADAPT with/without (Yes/No): NO</p> <p data-bbox="199 1547 276 1574"><b>Liquid:</b></p> <p data-bbox="199 1579 668 1606">Liquid temperature range: 0 .. 40 °C</p> <p data-bbox="199 1610 695 1637">Density: 998.2 kg/m<sup>3</sup></p> <p data-bbox="199 1668 316 1695"><b>Technical:</b></p> <p data-bbox="199 1700 644 1727">Max flow: 9.11 l/s</p> <p data-bbox="199 1731 702 1758">Type of impeller: SEMI OPEN</p> <p data-bbox="199 1762 639 1789">Maximum particle size: 30 mm</p> <p data-bbox="199 1794 655 1821">Primary shaft seal: SIC/SIC</p> <p data-bbox="199 1825 624 1852">Max. hydraulic efficiency: 60 %</p> <p data-bbox="199 1856 616 1883">Approvals on nameplate: LGA</p> <p data-bbox="199 1888 772 1915">Curve tolerance: ISO9906:2012 3B2</p> <p data-bbox="199 1946 309 1973"><b>Materials:</b></p> <p data-bbox="199 1977 702 2031">Pump housing: Cast iron EN-GJL-250</p> <p data-bbox="199 2040 726 2094">Impeller: Cast iron EN-GJS-500-7</p>

Qty.	Description
1	<p>Installation:</p> <p>t max amb: 40 °C</p> <p>Maximum operating pressure: 6 bar</p> <p>Pump outlet: R 2</p> <p>Maximum installation depth: 10 m</p> <p>Auto-coupling: Y</p> <p>Electrical data:</p> <p>Power input - P1: 1 kW</p> <p>Rated power - P2: 0.6 kW</p> <p>Mains frequency: 50 Hz</p> <p>Rated voltage: 3 x 400-415 V</p> <p>Voltage tolerance: +6/-10 %</p> <p>Max starts per. hour: 30</p> <p>Rated current: 2.3/2.3 A</p> <p>Rated current at 3/4 load: 2.1 A</p> <p>Rated current at 1/2 load: 2 A</p> <p>Starting current: 21 A</p> <p>Rated current at no load: 1.9 A</p> <p>Cos phi - power factor: 0.65</p> <p>Cos phi - p.f. at 3/4 load: 0.58</p> <p>Cos phi - p.f. at 1/2 load: 0.50</p> <p>Rated speed: 2920 rpm</p> <p>Locked-rotor torque: 11 Nm</p> <p>Breakdown torque: 12 Nm</p> <p>Moment of inertia: 0.0035 kg m<sup>2</sup></p> <p>Motor efficiency at full load: 59 %</p> <p>Motor efficiency at 3/4 load: 53 %</p> <p>Motor efficiency at 1/2 load: 43 %</p> <p>Number of poles: 2</p> <p>Start. method: direct-on-line</p> <p>Enclosure class (IEC 34-5): IP68</p> <p>Insulation class (IEC 85): F</p> <p>Explosion proof: no</p> <p>Length of cable: 10 m</p> <p>Cable type: H07RN-F</p> <p>Type of cable plug: No plug</p> <p>Others:</p> <p>Net weight: 41 kg</p> <p>Danish VVS No.: 391293112</p> <p>Swedish RSK No.: 5885873</p> <p>Finnish LVI No.: 4822599</p> <p>Country of origin: DE</p> <p>Custom tariff no.: 84137021</p>

# 96106550 EF30.50.06.2.50B 50 Hz

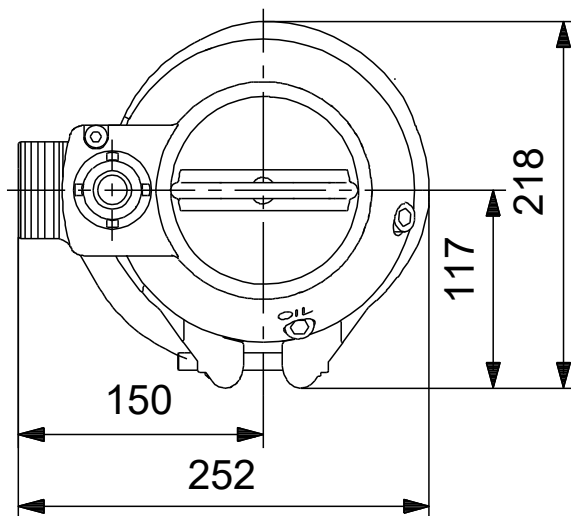
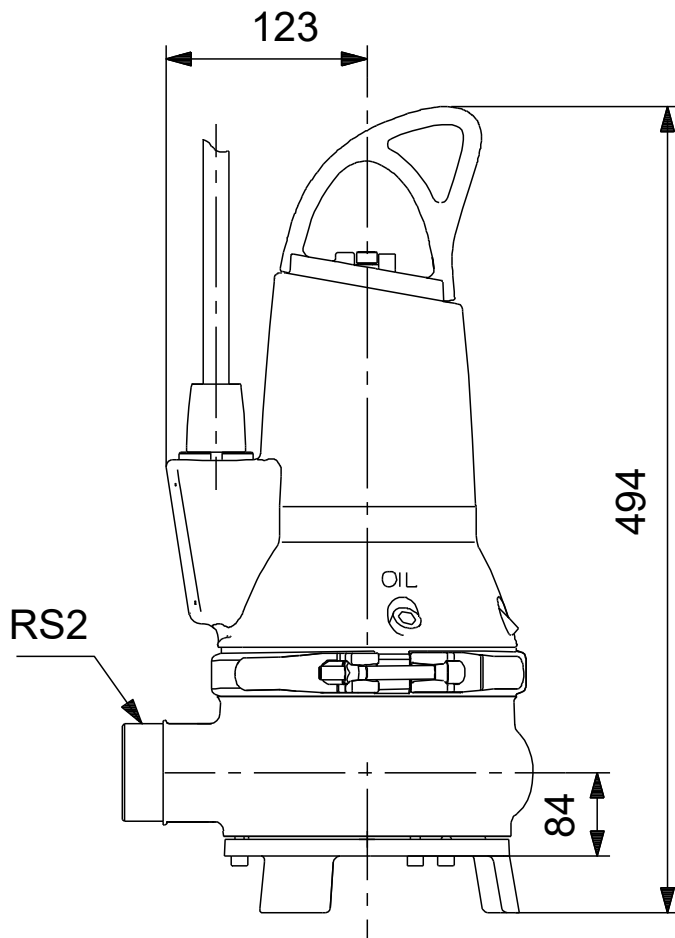


Description	Value
<b>General information:</b>	
Product name:	EF30.50.06.2.50B
Product No:	96106550
EAN number:	5700396853970
<b>Technical:</b>	
Max flow:	9.11 l/s
Head max:	13.7 m
Type of impeller:	SEMI OPEN
Maximum particle size:	30 mm
Primary shaft seal:	SIC/SIC
Max. hydraulic efficiency:	60 %
Approvals on nameplate:	LGA
Curve tolerance:	ISO9906:2012 3B2
<b>Materials:</b>	
Pump housing:	Cast iron
Pump housing:	EN-GJL-250
Impeller:	Cast iron
Impeller:	EN-GJS-500-7
<b>Installation:</b>	
t max amb:	40 °C
Maximum operating pressure:	6 bar
Pump outlet:	R 2
Maximum installation depth:	10 m
Inst dry/wet:	S
Installation:	vertical
Auto-coupling:	Y
<b>Liquid:</b>	
Liquid temperature range:	0 .. 40 °C
Density:	998.2 kg/m <sup>3</sup>
<b>Electrical data:</b>	
Power input - P1:	1 kW
Rated power - P2:	0.6 kW
Mains frequency:	50 Hz
Rated voltage:	3 x 400-415 V
Voltage tolerance:	+6/-10 %
Max starts per. hour:	30
Rated current:	2.3/2.3 A
Rated current at 3/4 load:	2.1 A
Rated current at 1/2 load:	2 A
Starting current:	21 A
Rated current at no load:	1.9 A
Cos phi - power factor:	0.65
Cos phi - p.f. at 3/4 load:	0.58
Cos phi - p.f. at 1/2 load:	0.50
Rated speed:	2920 rpm
Locked-rotor torque:	11 Nm
Breakdown torque:	12 Nm
Moment of inertia:	0.0035 kg m <sup>2</sup>
Motor efficiency at full load:	59 %
Motor efficiency at 3/4 load:	53 %
Motor efficiency at 1/2 load:	43 %
Number of poles:	2
Start. method:	direct-on-line
Enclosure class (IEC 34-5):	IP68
Insulation class (IEC 85):	F
Explosion proof:	no
Built-in motor protection:	THERMAL SWITCH
Thermal protec:	internal
Length of cable:	10 m
Cable type:	H07RN-F
Type of cable plug:	No plug
<b>Controls:</b>	
Control box:	not included
Additional I/O:	External



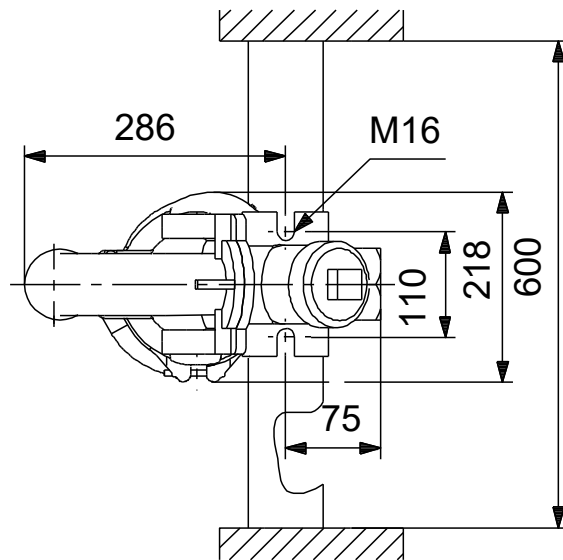
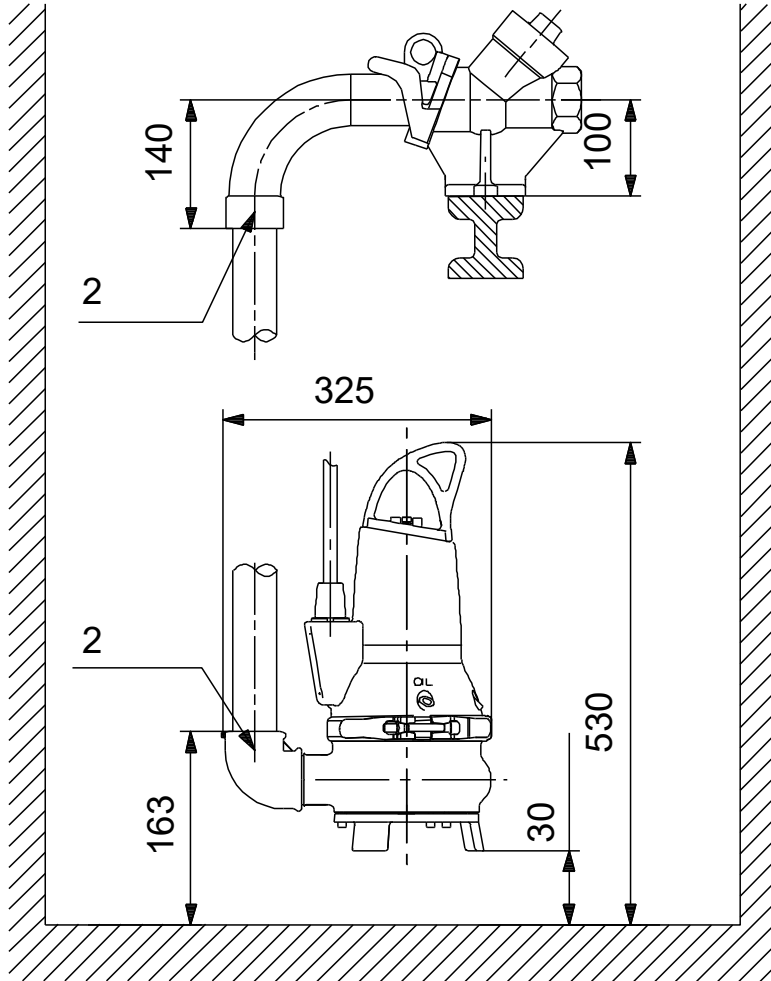
Description	Value
Moisture sensor:	without moisture sensors
Water-in-oil sensor:	without water-in-oil sensor
AUTOADAPT with/without (Yes/No):	NO
<b>Others:</b>	
Net weight:	41 kg
Danish VVS No.:	391293112
Swedish RSK No.:	5885873
Finnish LVI No.:	4822599
Country of origin:	DE
Custom tariff no.:	84137021

# 96106550 EF30.50.06.2.50B 50 Hz



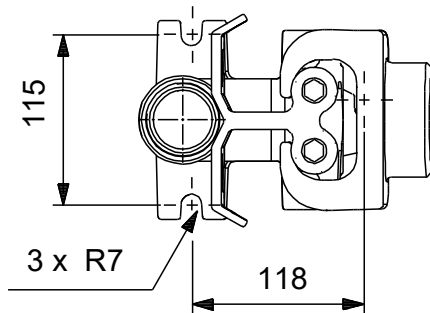
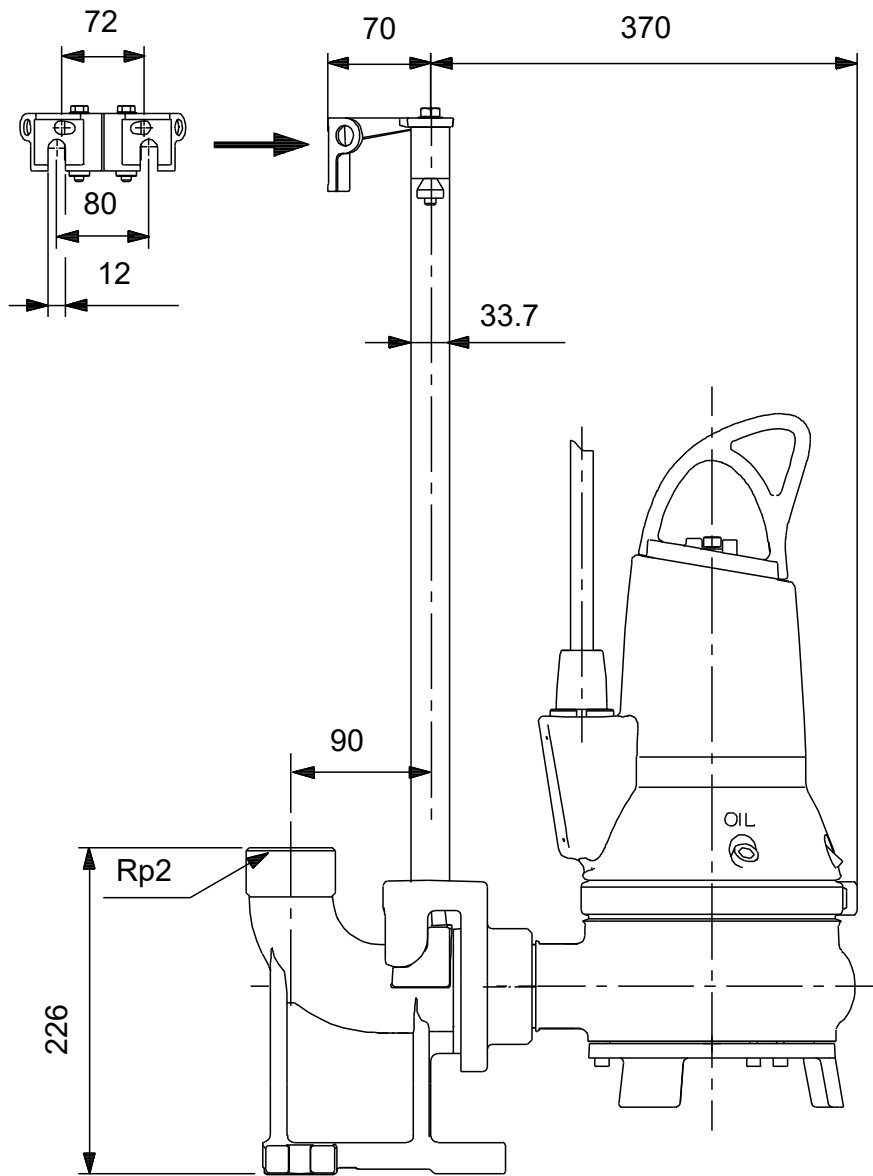
Note! All units are in [mm] unless others are stated.  
Disclaimer: This simplified dimensional drawing does not show all details.

# 96106550 EF30.50.06.2.50B 50 Hz



Note! All units are in [mm] unless others are stated.  
Disclaimer: This simplified dimensional drawing does not show all details.

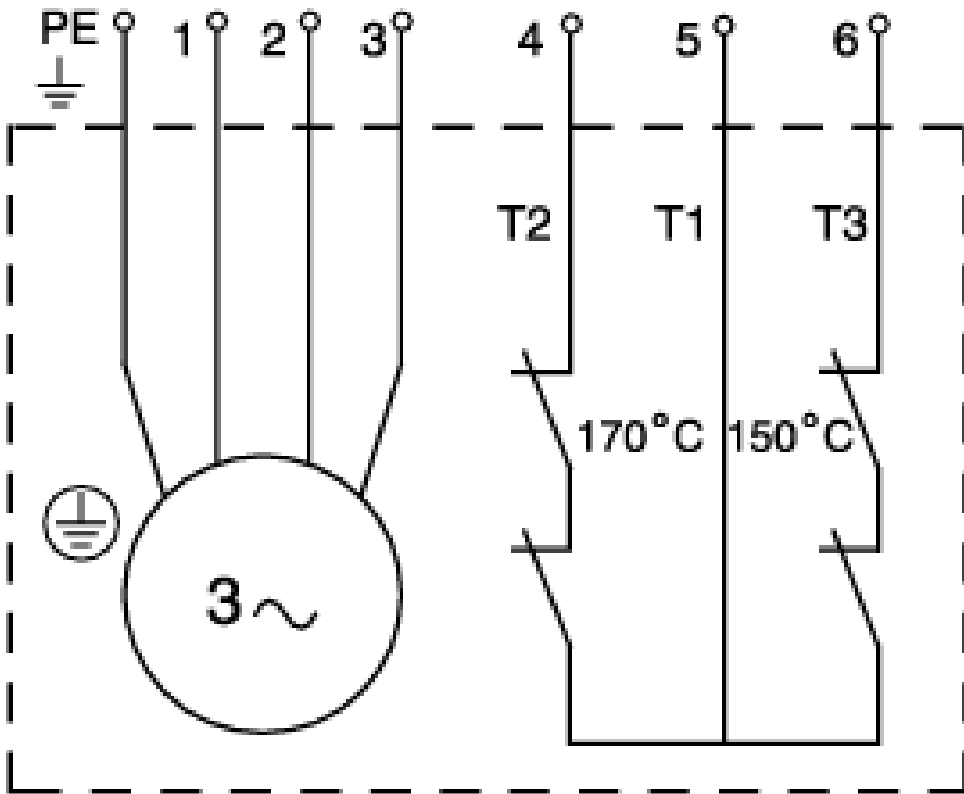
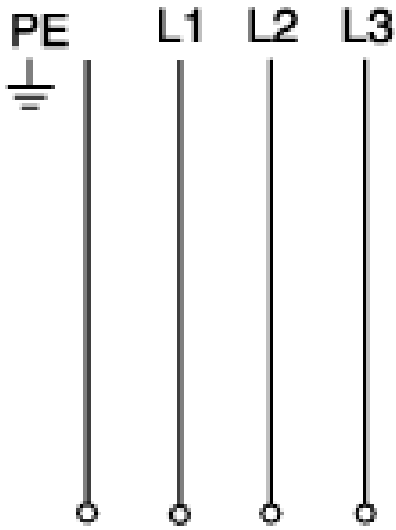
# 96106550 EF30.50.06.2.50B 50 Hz



Note! All units are in [mm] unless others are stated.  
Disclaimer: This simplified dimensional drawing does not show all details.



96106550 EF30.50.06.2.50B 50 Hz



Note! All units are in [mm] unless others are stated.

