
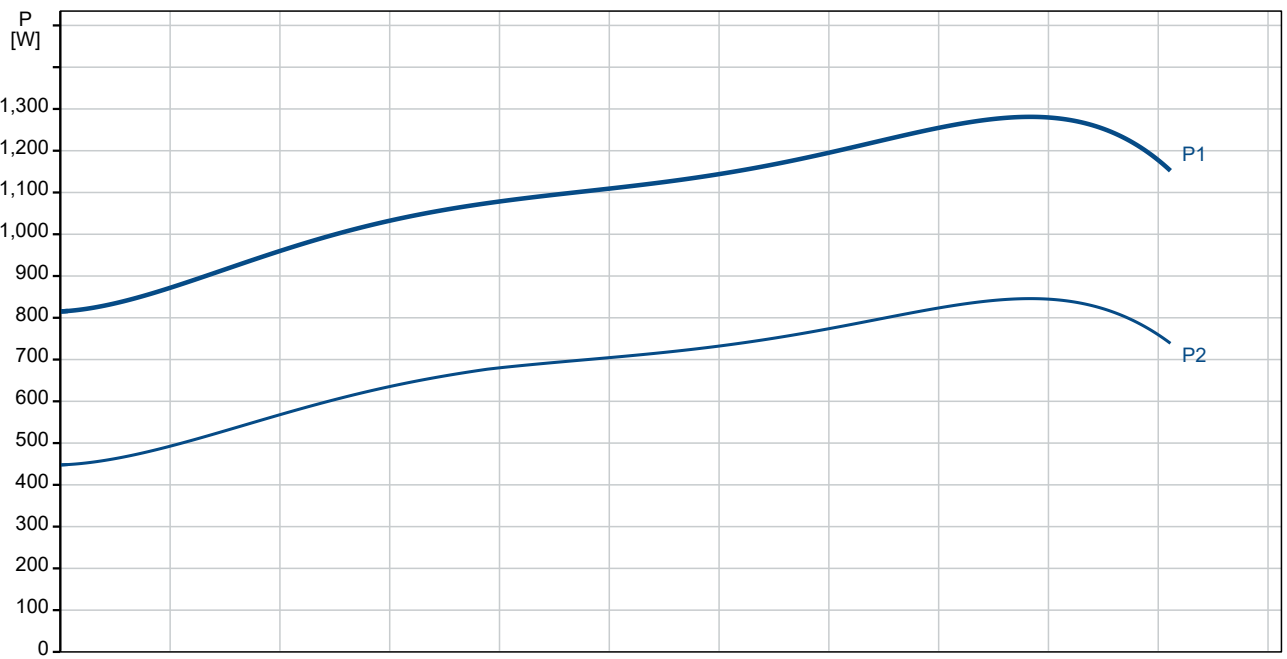
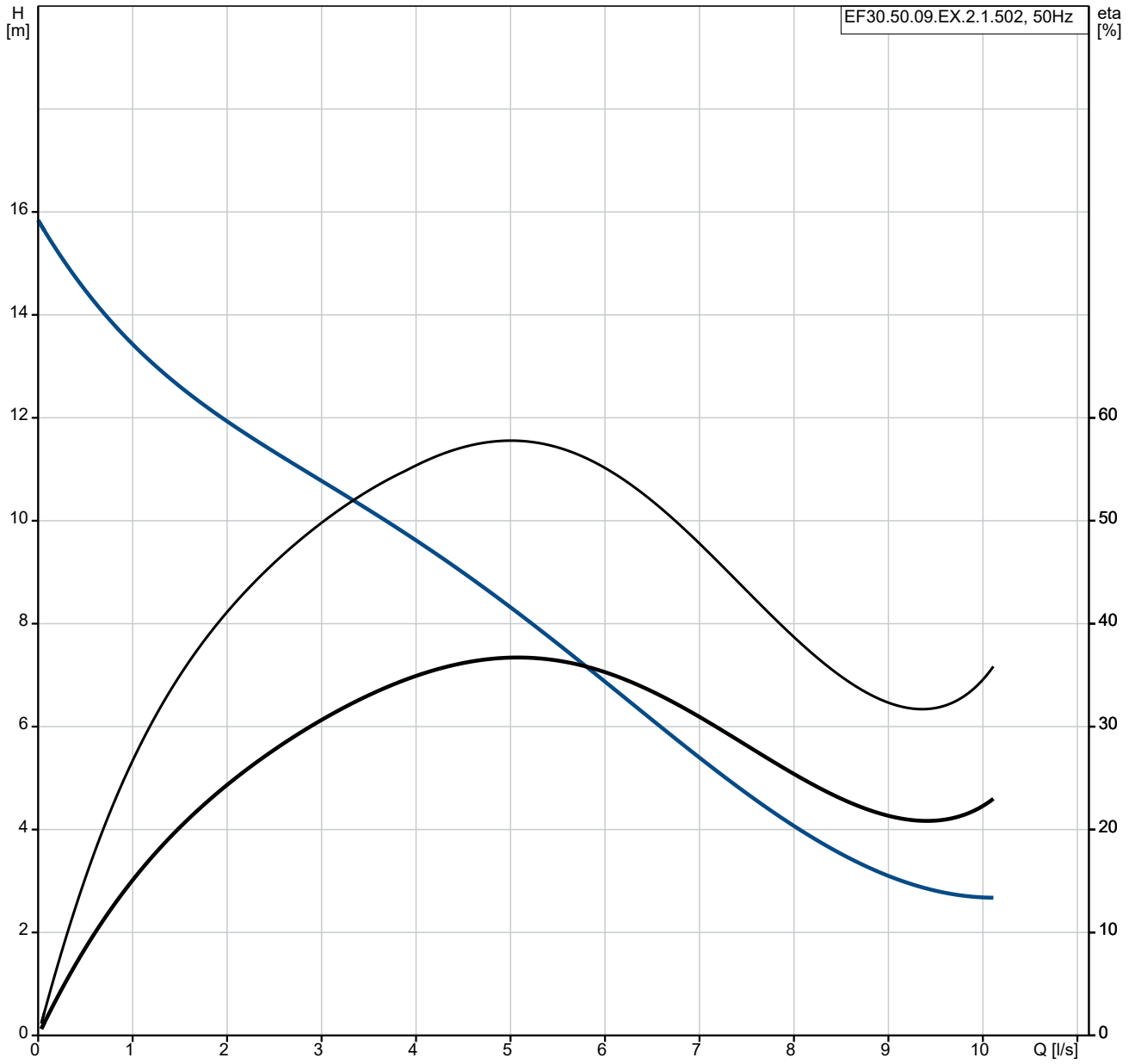


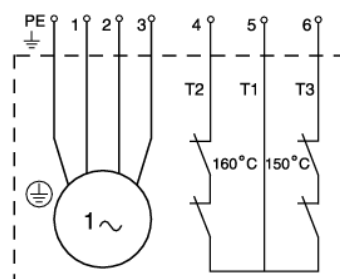
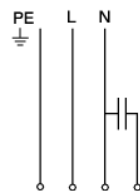
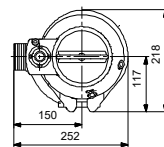
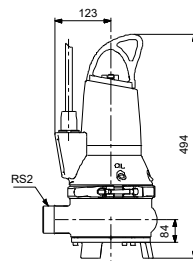
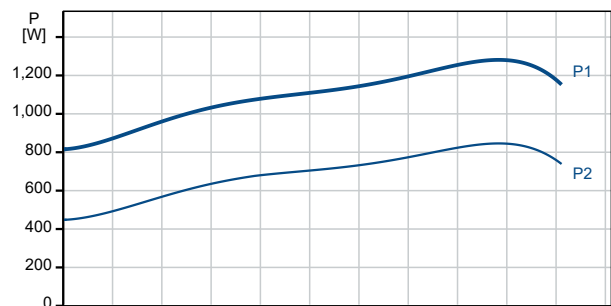
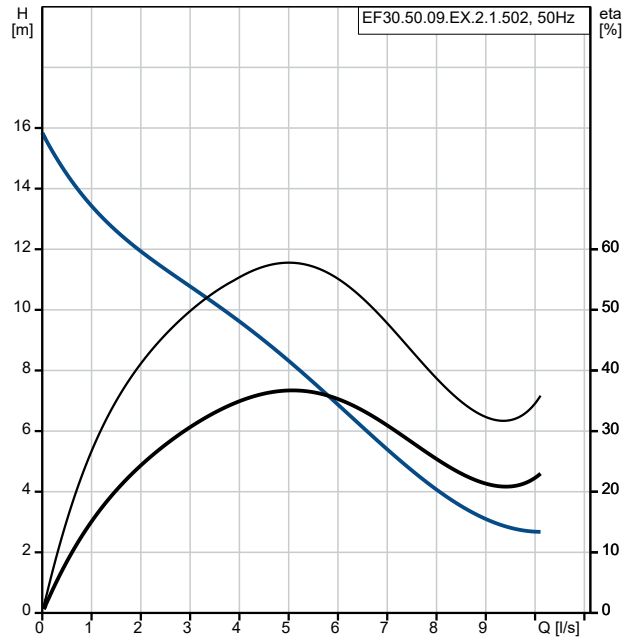
Qty.	Description
1	<p data-bbox="199 159 454 190"><b>EF30.50.09.EX.2.1.502</b></p>  <p data-bbox="590 504 1061 533"><b>Note! Product picture may differ from actual product</b></p> <p data-bbox="199 537 470 571">Product No.: <a href="#">96115112</a></p> <p data-bbox="199 593 1133 627">GRUNDFOS EF pump is a portable pump for both domestic and industrial applications.</p> <p data-bbox="199 649 1284 683">The pump has a single-vane, semi-open impeller for 30 mm free passage and is suitable for pumping</p> <ul data-bbox="199 683 1284 806" style="list-style-type: none"> <li>• drainage and surface water with small impurities</li> <li>• wastewater with fibres, e.g. from laundries</li> <li>• wastewater without discharge from toilets</li> <li>• wastewater from commercial buildings without discharge from toilets.</li> </ul> <p data-bbox="199 828 1197 862">The compact design makes the pump suitable for both temporary and permanent installation.</p> <p data-bbox="199 884 1428 918">The pump is a cast iron submersible pump with integrated submersible 1-phase motor. Approvals: LGA, ATEX</p> <p data-bbox="199 940 1037 974">The pump has an intermediate oil chamber pre-filled with non-toxic special oil.</p> <p data-bbox="199 996 1380 1064">The pump is fitted with a cable plug for easy dismantling. This plug is hermetically sealed with polyurethane to prevent water from penetrating through the cable into the motor.</p> <p data-bbox="199 1086 1404 1153">A clamp between pump housing and motor ensures easy and safe dismantling and assembly. Inspection can be done in the field without any special tools.</p> <p data-bbox="199 1176 1460 1243">The pump is fitted with a double shaft seal in the unique cartridge design. This makes it easy to replace the shaft seal very quickly in the field without any special tools. It also eliminates the risk of faulty installation.</p> <p data-bbox="199 1265 1189 1299">The motor is insulation class F and has long-life, deep-groove, greased-for-life ball bearings.</p> <p data-bbox="199 1321 1412 1355">The pump has R 2 discharge port and is ready for installation either free-standing or on an auto-coupling system.</p> <p data-bbox="199 1377 303 1411"><b>Controls:</b></p> <p data-bbox="199 1411 837 1444">Moisture sensor: without moisture sensors</p> <p data-bbox="199 1444 853 1478">Water-in-oil sensor: without water-in-oil sensor</p> <p data-bbox="199 1478 662 1512">AUTOADAPT with/without (Yes/No): NO</p> <p data-bbox="199 1534 279 1568"><b>Liquid:</b></p> <p data-bbox="199 1568 670 1601">Liquid temperature range: 0 .. 40 °C</p> <p data-bbox="199 1601 694 1635">Density: 998.2 kg/m<sup>3</sup></p> <p data-bbox="199 1657 319 1691"><b>Technical:</b></p> <p data-bbox="199 1691 646 1724">Max flow: 10.8 l/s</p> <p data-bbox="199 1724 702 1758">Type of impeller: SEMI OPEN</p> <p data-bbox="199 1758 646 1792">Maximum particle size: 30 mm</p> <p data-bbox="199 1792 654 1825">Primary shaft seal: SIC/SIC</p> <p data-bbox="199 1825 622 1859">Max. hydraulic efficiency: 60 %</p> <p data-bbox="199 1859 694 1892">Approvals on nameplate: LGA, ATEX</p> <p data-bbox="199 1892 774 1926">Curve tolerance: ISO9906:2012 3B2</p> <p data-bbox="199 1948 311 1982"><b>Materials:</b></p> <p data-bbox="199 1982 702 2016">Pump housing: Cast iron</p> <p data-bbox="566 2016 702 2049">EN-GJL-250</p> <p data-bbox="199 2049 726 2083">Impeller: Cast iron</p> <p data-bbox="566 2083 726 2116">EN-GJS-500-7</p>

Qty.	Description
1	<p>Installation:</p> <p>t max amb: 40 °C</p> <p>Maximum operating pressure: 6 bar</p> <p>Pump outlet: R 2</p> <p>Maximum installation depth: 10 m</p> <p>Auto-coupling: Y</p> <p>Electrical data:</p> <p>Power input - P1: 1.3 kW</p> <p>Rated power - P2: 0.9 kW</p> <p>Mains frequency: 50 Hz</p> <p>Rated voltage: 1 x 230 V</p> <p>Voltage tolerance: +6/-10 %</p> <p>Max starts per. hour: 30</p> <p>Rated current: 6.1 A</p> <p>Rated current at 3/4 load: 5.1 A</p> <p>Rated current at 1/2 load: 4.1 A</p> <p>Starting current: 38 A</p> <p>Rated current at no load: 2.6 A</p> <p>Cos phi - power factor: 0.96</p> <p>Cos phi - p.f. at 3/4 load: 0.92</p> <p>Cos phi - p.f. at 1/2 load: 0.86</p> <p>Rated speed: 2870 rpm</p> <p>Locked-rotor torque: 6.5 Nm</p> <p>Breakdown torque: 7 Nm</p> <p>Moment of inertia: 0.0037 kg m<sup>2</sup></p> <p>Motor efficiency at full load: 67 %</p> <p>Motor efficiency at 3/4 load: 63 %</p> <p>Motor efficiency at 1/2 load: 55 %</p> <p>Capacitor size - run: 30 µF</p> <p>Number of poles: 2</p> <p>Start. method: direct-on-line</p> <p>Enclosure class (IEC 34-5): IP68</p> <p>Insulation class (IEC 85): F</p> <p>Explosion proof: yes</p> <p>Length of cable: 10 m</p> <p>Cable type: H07RN-F</p> <p>Type of cable plug: No plug</p> <p>Others:</p> <p>Net weight: 42 kg</p> <p>Danish VVS No.: 391292532</p> <p>Country of origin: HU</p> <p>Custom tariff no.: 84137021</p>

# 96115112 EF30.50.09.EX.2.1.502 50 Hz

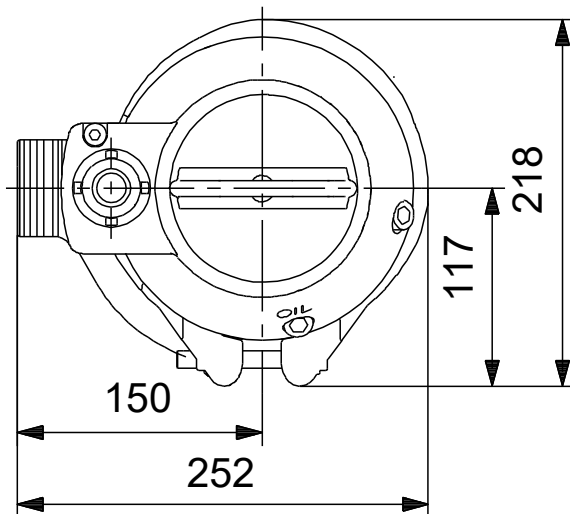
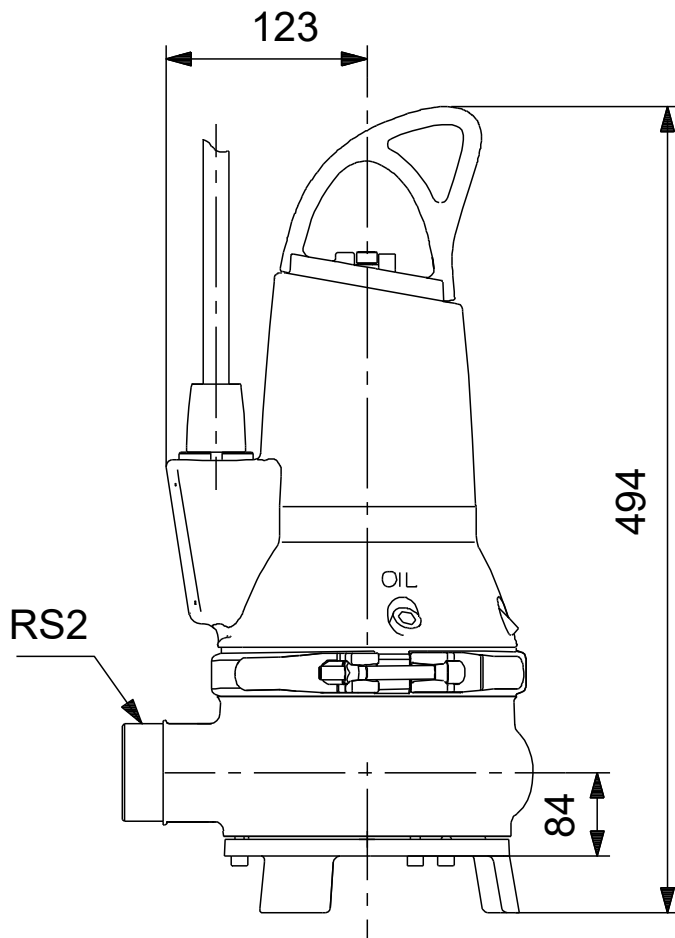


Description	Value
<b>General information:</b>	
Product name:	EF30.50.09.EX.2.1.502
Product No:	96115112
EAN number:	5700396854106
<b>Technical:</b>	
Max flow:	10.8 l/s
Head max:	16.8 m
Type of impeller:	SEMI OPEN
Maximum particle size:	30 mm
Primary shaft seal:	SIC/SIC
Max. hydraulic efficiency:	60 %
Approvals on nameplate:	LGA, ATEX
Curve tolerance:	ISO9906:2012 3B2
<b>Materials:</b>	
Pump housing:	Cast iron
Pump housing:	EN-GJL-250
Impeller:	Cast iron
Impeller:	EN-GJS-500-7
<b>Installation:</b>	
t max amb:	40 °C
Maximum operating pressure:	6 bar
Pump outlet:	R 2
Maximum installation depth:	10 m
Inst dry/wet:	S
Installation:	vertical
Auto-coupling:	Y
<b>Liquid:</b>	
Liquid temperature range:	0 .. 40 °C
Density:	998.2 kg/m <sup>3</sup>
<b>Electrical data:</b>	
Power input - P1:	1.3 kW
Rated power - P2:	0.9 kW
Mains frequency:	50 Hz
Rated voltage:	1 x 230 V
Voltage tolerance:	+6/-10 %
Max starts per. hour:	30
Rated current:	6.1 A
Rated current at 3/4 load:	5.1 A
Rated current at 1/2 load:	4.1 A
Starting current:	38 A
Rated current at no load:	2.6 A
Cos phi - power factor:	0.96
Cos phi - p.f. at 3/4 load:	0.92
Cos phi - p.f. at 1/2 load:	0.86
Rated speed:	2870 rpm
Locked-rotor torque:	6.5 Nm
Breakdown torque:	7 Nm
Moment of inertia:	0.0037 kg m <sup>2</sup>
Motor efficiency at full load:	67 %
Motor efficiency at 3/4 load:	63 %
Motor efficiency at 1/2 load:	55 %
Capacitor size - run:	30 µF
Number of poles:	2
Start. method:	direct-on-line
Enclosure class (IEC 34-5):	IP68
Insulation class (IEC 85):	F
Explosion proof:	yes
Built-in motor protection:	THERMAL SWITCH
Thermal protec:	internal
Length of cable:	10 m
Cable type:	H07RN-F
Type of cable plug:	No plug
<b>Controls:</b>	
Control box:	not included



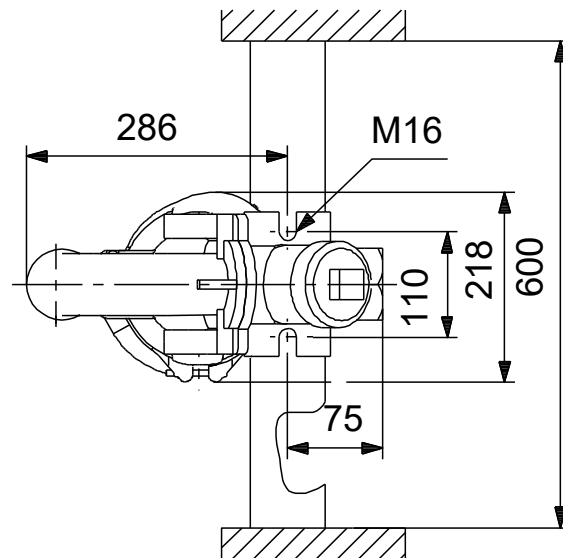
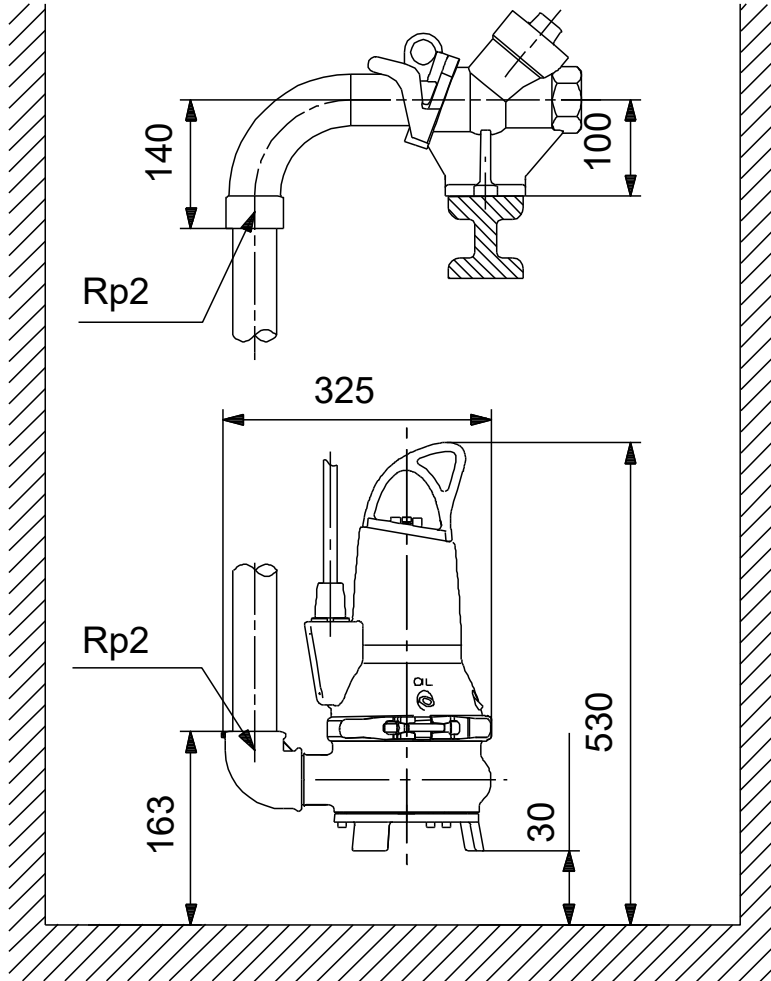
Description	Value
Additional I/O:	External
Moisture sensor:	without moisture sensors
Water-in-oil sensor:	without water-in-oil sensor
AUTOADAPT with/without (Yes/No):	NO
<b>Others:</b>	
Net weight:	42 kg
Danish VVS No.:	391292532
Country of origin:	HU
Custom tariff no.:	84137021

**96115112 EF30.50.09.EX.2.1.502 50 Hz**



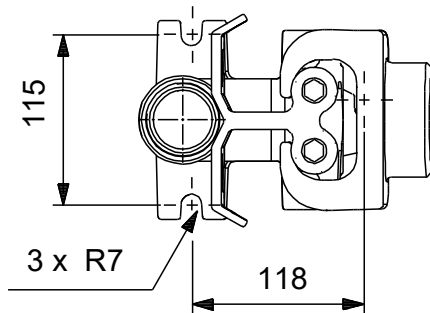
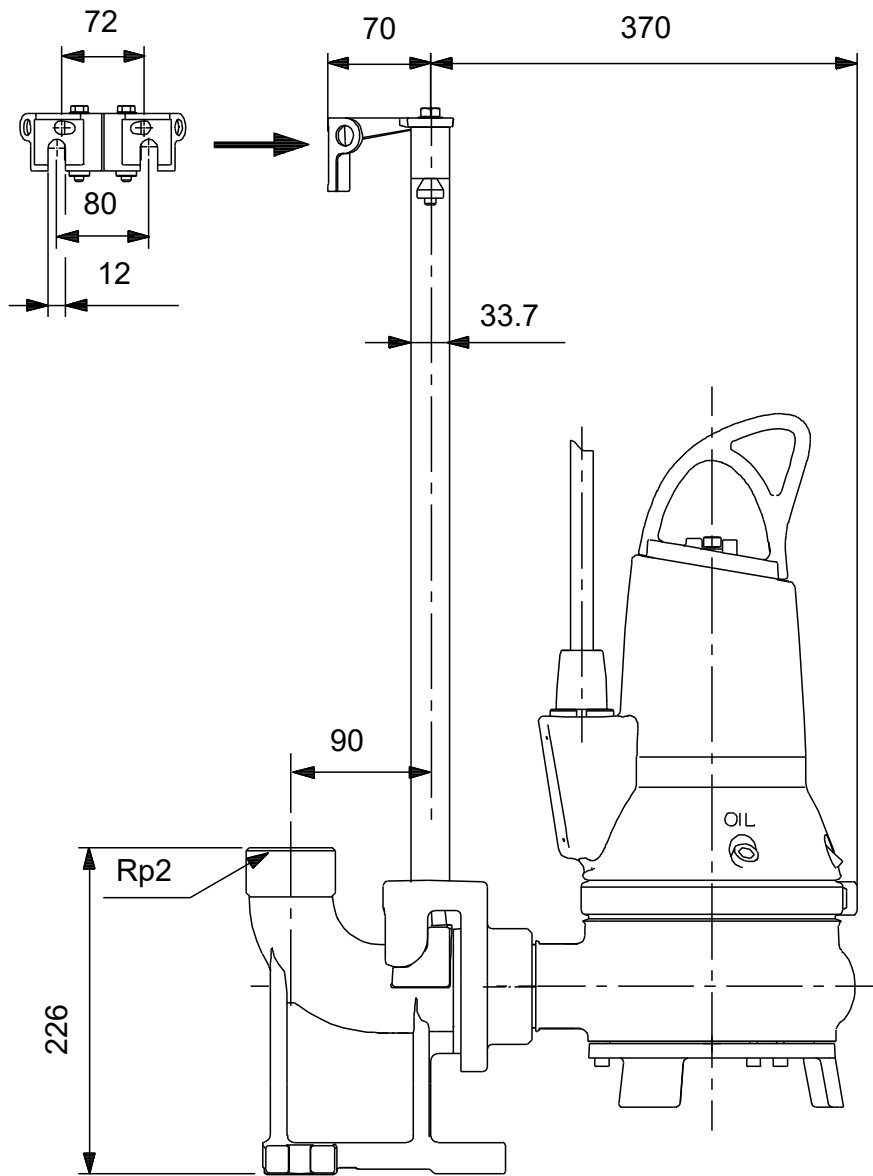
Note! All units are in [mm] unless others are stated.  
Disclaimer: This simplified dimensional drawing does not show all details.

# 96115112 EF30.50.09.EX.2.1.502 50 Hz



Note! All units are in [mm] unless others are stated.  
Disclaimer: This simplified dimensional drawing does not show all details.

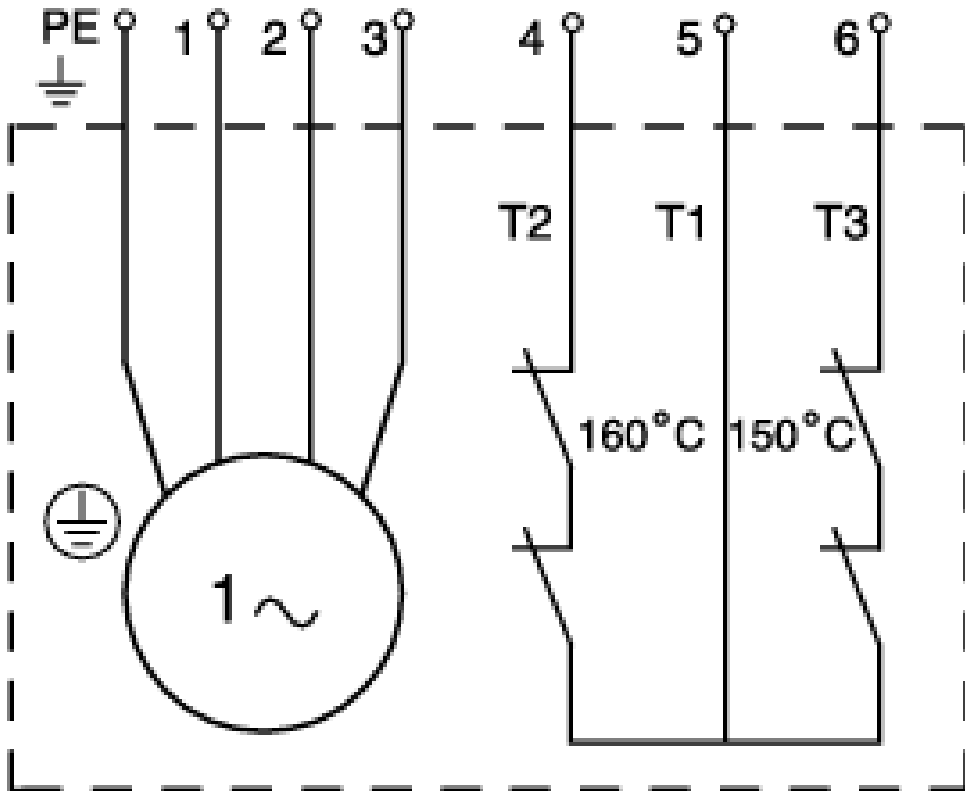
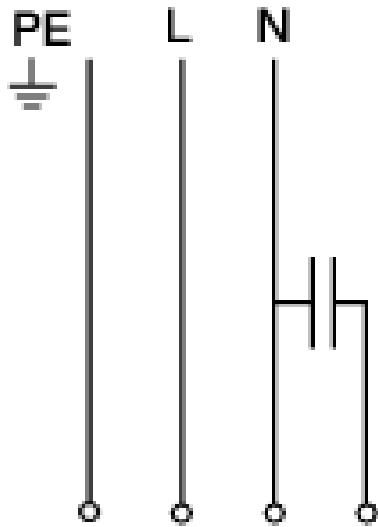
# 96115112 EF30.50.09.EX.2.1.502 50 Hz



Note! All units are in [mm] unless others are stated.  
Disclaimer: This simplified dimensional drawing does not show all details.



96115112 EF30.50.09.EX.2.1.502 50 Hz



Note! All units are in [mm] unless others are stated.

