
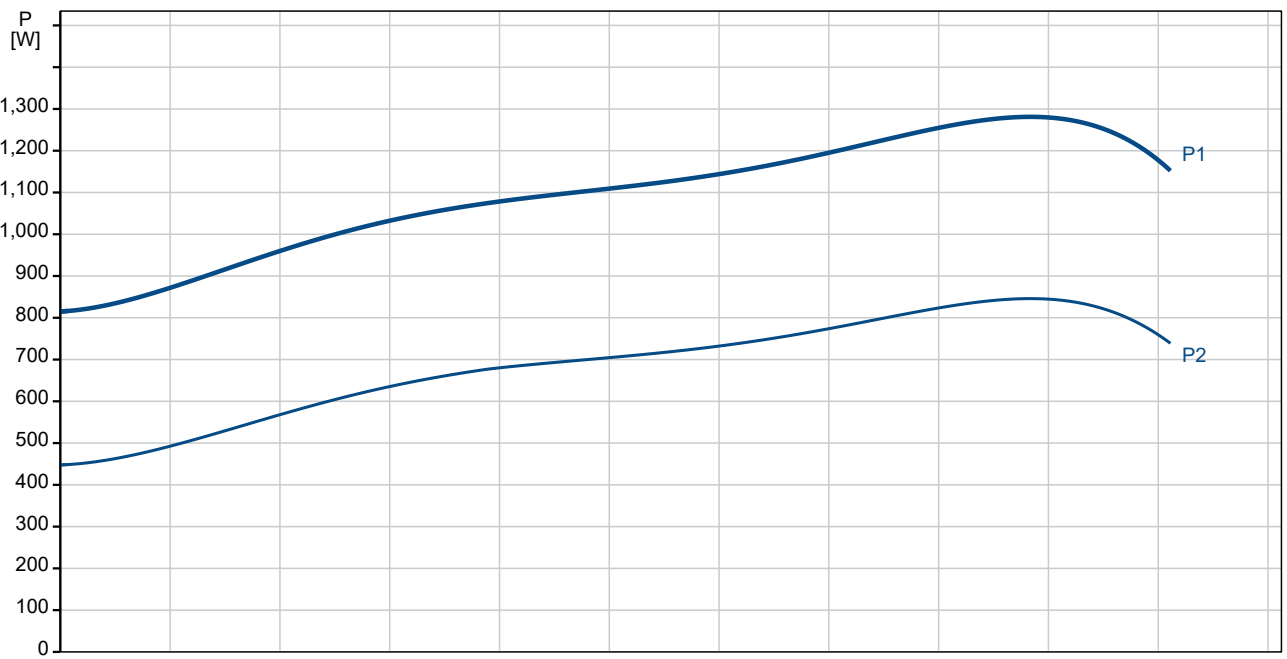
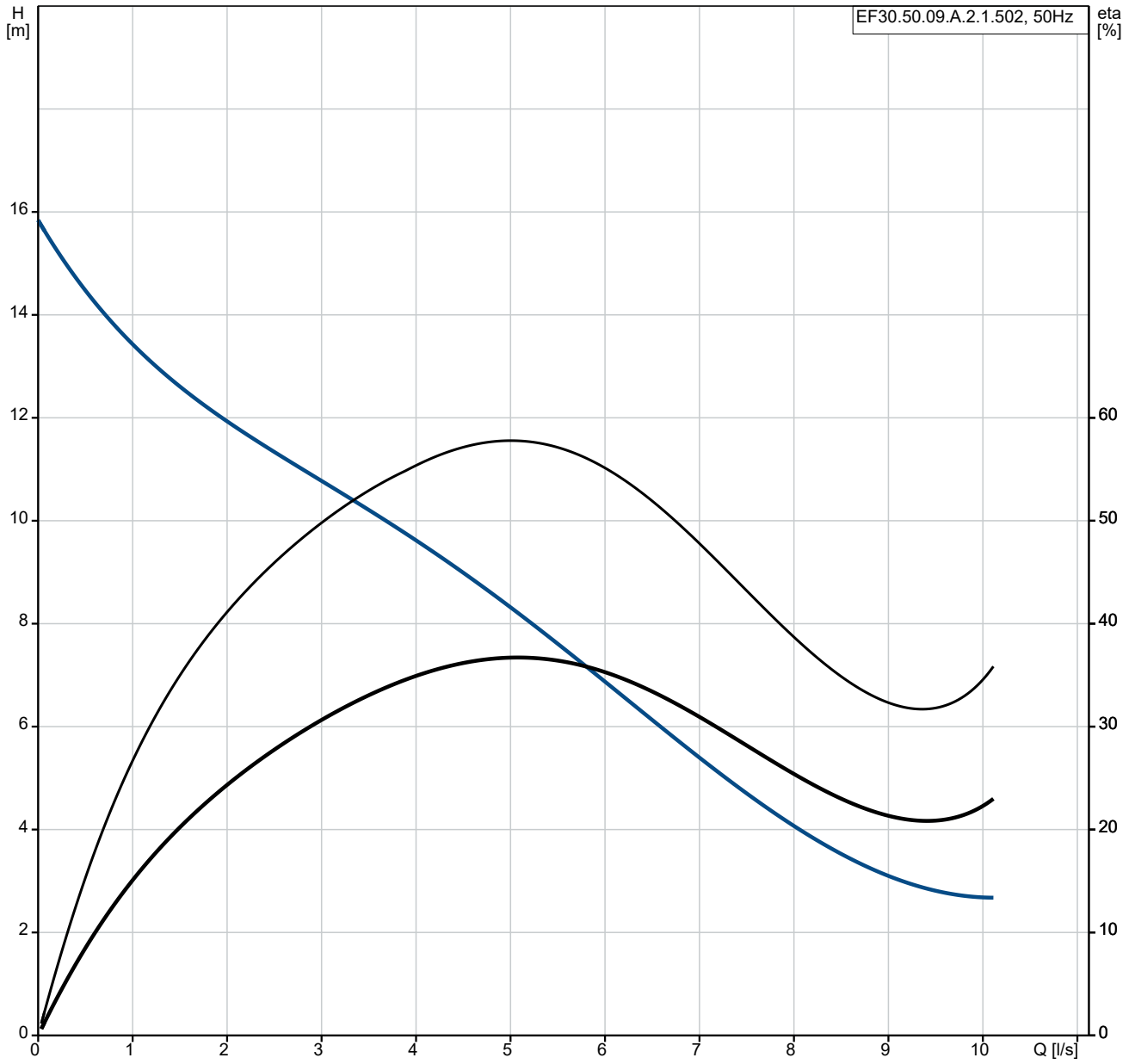


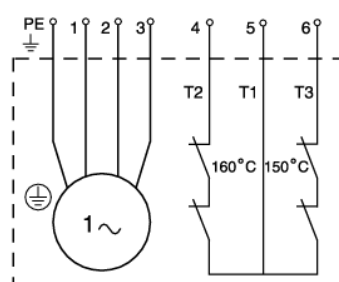
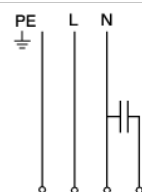
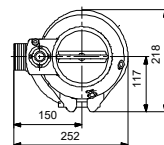
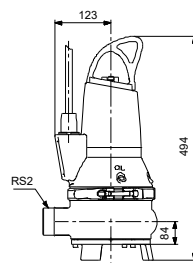
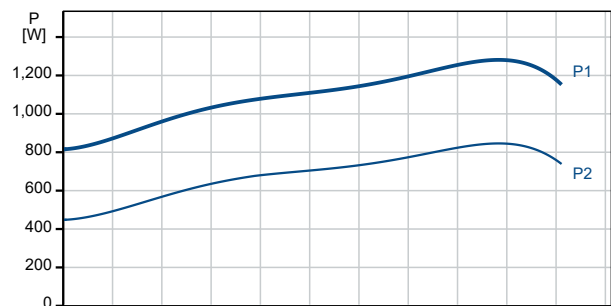
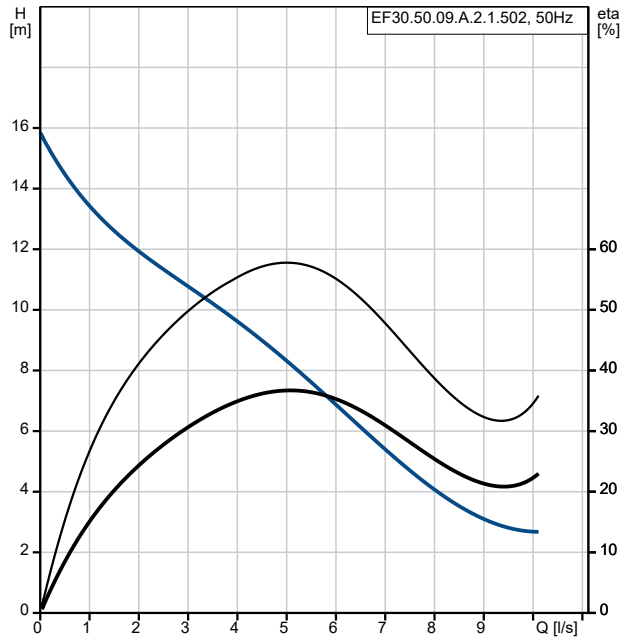
Qty.	Description
1	<p data-bbox="199 159 443 188">EF30.50.09.A.2.1.502</p>  <p data-bbox="592 506 1066 533" style="text-align: center;">Note! Product picture may differ from actual product</p> <p data-bbox="199 539 466 566">Product No.: 96115113</p> <p data-bbox="199 600 1134 627">GRUNDFOS EF pump is a portable pump for both domestic and industrial applications.</p> <p data-bbox="199 658 1283 685">The pump has a single-vane, semi-open impeller for 30 mm free passage and is suitable for pumping</p> <ul data-bbox="199 689 1283 804" style="list-style-type: none"> • drainage and surface water with small impurities • wastewater with fibres, e.g. from laundries • wastewater without discharge from toilets • wastewater from commercial buildings without discharge from toilets. <p data-bbox="199 835 1198 862">The compact design makes the pump suitable for both temporary and permanent installation.</p> <p data-bbox="199 893 1350 920">The pump is a cast iron submersible pump with integrated submersible 1-phase motor. Approvals: LGA</p> <p data-bbox="199 952 1035 978">The pump has an intermediate oil chamber pre-filled with non-toxic special oil.</p> <p data-bbox="199 1010 1377 1066">The pump is fitted with a cable plug for easy dismantling. This plug is hermetically sealed with polyurethane to prevent water from penetrating through the cable into the motor.</p> <p data-bbox="199 1097 1401 1153">A clamp between pump housing and motor ensures easy and safe dismantling and assembly. Inspection can be done in the field without any special tools.</p> <p data-bbox="199 1184 1457 1240">The pump is fitted with a double shaft seal in the unique cartridge design. This makes it easy to replace the shaft seal very quickly in the field without any special tools. It also eliminates the risk of faulty installation.</p> <p data-bbox="199 1272 1187 1299">The motor is insulation class F and has long-life, deep-groove, greased-for-life ball bearings.</p> <p data-bbox="199 1330 1409 1357">The pump has R 2 discharge port and is ready for installation either free-standing or on an auto-coupling system.</p> <p data-bbox="199 1388 301 1415">Controls:</p> <p data-bbox="199 1420 836 1447">Moisture sensor: without moisture sensors</p> <p data-bbox="199 1451 847 1478">Water-in-oil sensor: without water-in-oil sensor</p> <p data-bbox="199 1482 660 1509">AUTOADAPT with/without (Yes/No): NO</p> <p data-bbox="199 1541 276 1568">Liquid:</p> <p data-bbox="199 1572 671 1599">Liquid temperature range: 0 .. 40 °C</p> <p data-bbox="199 1603 697 1630">Density: 998.2 kg/m³</p> <p data-bbox="199 1662 316 1688">Technical:</p> <p data-bbox="199 1693 647 1720">Max flow: 10.8 l/s</p> <p data-bbox="199 1724 703 1751">Type of impeller: SEMI OPEN</p> <p data-bbox="199 1756 643 1783">Maximum particle size: 30 mm</p> <p data-bbox="199 1787 655 1814">Primary shaft seal: SIC/SIC</p> <p data-bbox="199 1818 624 1845">Max. hydraulic efficiency: 60 %</p> <p data-bbox="199 1850 616 1877">Approvals on nameplate: LGA</p> <p data-bbox="199 1881 774 1908">Curve tolerance: ISO9906:2012 3B2</p> <p data-bbox="199 1939 309 1966">Materials:</p> <p data-bbox="199 1971 703 2027">Pump housing: Cast iron EN-GJL-250</p> <p data-bbox="199 2031 727 2087">Impeller: Cast iron EN-GJS-500-7</p>

Qty.	Description
1	<p>Installation:</p> <p>t max amb: 40 °C</p> <p>Maximum operating pressure: 6 bar</p> <p>Pump outlet: R 2</p> <p>Maximum installation depth: 10 m</p> <p>Auto-coupling: Y</p> <p>Electrical data:</p> <p>Power input - P1: 1.3 kW</p> <p>Rated power - P2: 0.9 kW</p> <p>Mains frequency: 50 Hz</p> <p>Rated voltage: 1 x 230 V</p> <p>Voltage tolerance: +6/-10 %</p> <p>Max starts per. hour: 30</p> <p>Rated current: 6.1 A</p> <p>Rated current at 3/4 load: 5.1 A</p> <p>Rated current at 1/2 load: 4.1 A</p> <p>Starting current: 38 A</p> <p>Rated current at no load: 2.6 A</p> <p>Cos phi - power factor: 0.96</p> <p>Cos phi - p.f. at 3/4 load: 0.92</p> <p>Cos phi - p.f. at 1/2 load: 0.86</p> <p>Rated speed: 2870 rpm</p> <p>Locked-rotor torque: 6.5 Nm</p> <p>Breakdown torque: 7 Nm</p> <p>Moment of inertia: 0.0037 kg m²</p> <p>Motor efficiency at full load: 67 %</p> <p>Motor efficiency at 3/4 load: 63 %</p> <p>Motor efficiency at 1/2 load: 55 %</p> <p>Capacitor size - run: 30 µF</p> <p>Number of poles: 2</p> <p>Start. method: direct-on-line</p> <p>Enclosure class (IEC 34-5): IP68</p> <p>Insulation class (IEC 85): F</p> <p>Explosion proof: no</p> <p>Length of cable: 10 m</p> <p>Cable type: H07RN-F</p> <p>Type of cable plug: SCHUKO</p> <p>Others:</p> <p>Net weight: 41 kg</p> <p>Danish VVS No.: 391292332</p> <p>Country of origin: HU</p> <p>Custom tariff no.: 84137021</p>

96115113 EF30.50.09.A.2.1.502 50 Hz

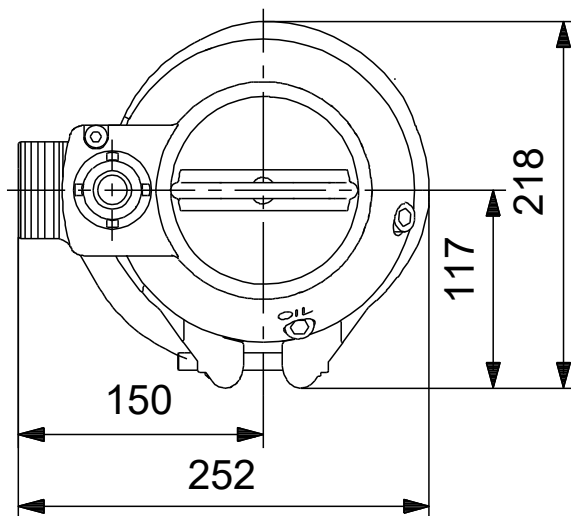
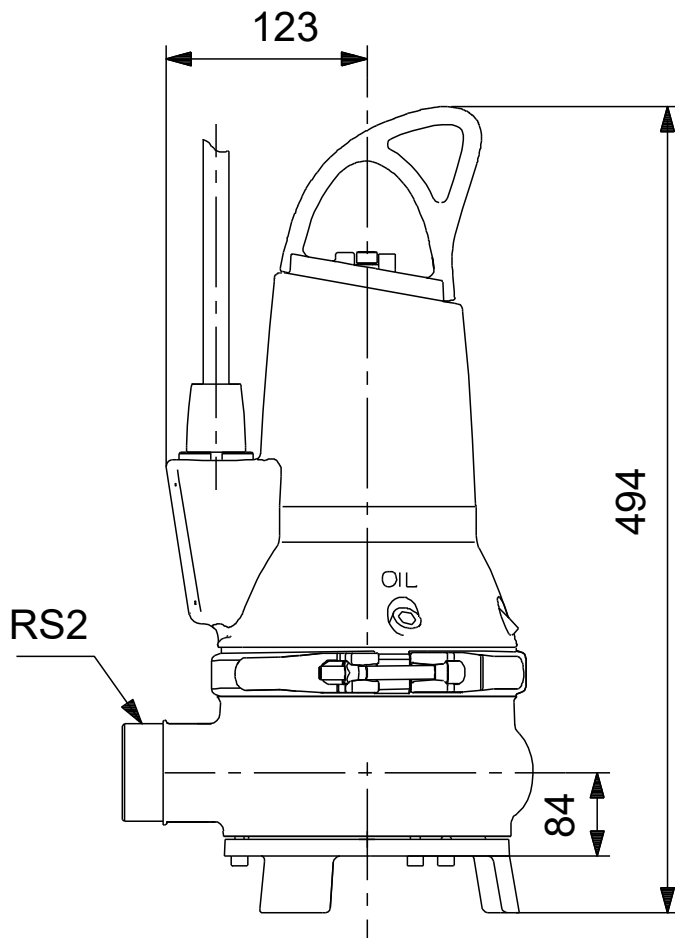


Description	Value
General information:	
Product name:	EF30.50.09.A.2.1.502
Product No:	96115113
EAN number:	5700396854069
Technical:	
Max flow:	10.8 l/s
Head max:	16.8 m
Type of impeller:	SEMI OPEN
Maximum particle size:	30 mm
Primary shaft seal:	SIC/SIC
Max. hydraulic efficiency:	60 %
Approvals on nameplate:	LGA
Curve tolerance:	ISO9906:2012 3B2
Materials:	
Pump housing:	Cast iron
Pump housing:	EN-GJL-250
Impeller:	Cast iron
Impeller:	EN-GJS-500-7
Installation:	
t max amb:	40 °C
Maximum operating pressure:	6 bar
Pump outlet:	R 2
Maximum installation depth:	10 m
Inst dry/wet:	S
Installation:	vertical
Auto-coupling:	Y
Liquid:	
Liquid temperature range:	0 .. 40 °C
Density:	998.2 kg/m ³
Electrical data:	
Power input - P1:	1.3 kW
Rated power - P2:	0.9 kW
Mains frequency:	50 Hz
Rated voltage:	1 x 230 V
Voltage tolerance:	+6/-10 %
Max starts per. hour:	30
Rated current:	6.1 A
Rated current at 3/4 load:	5.1 A
Rated current at 1/2 load:	4.1 A
Starting current:	38 A
Rated current at no load:	2.6 A
Cos phi - power factor:	0.96
Cos phi - p.f. at 3/4 load:	0.92
Cos phi - p.f. at 1/2 load:	0.86
Rated speed:	2870 rpm
Locked-rotor torque:	6.5 Nm
Breakdown torque:	7 Nm
Moment of inertia:	0.0037 kg m ²
Motor efficiency at full load:	67 %
Motor efficiency at 3/4 load:	63 %
Motor efficiency at 1/2 load:	55 %
Capacitor size - run:	30 µF
Number of poles:	2
Start. method:	direct-on-line
Enclosure class (IEC 34-5):	IP68
Insulation class (IEC 85):	F
Explosion proof:	no
Built-in motor protection:	THERMAL SWITCH
Thermal protec:	internal
Length of cable:	10 m
Cable type:	H07RN-F
Type of cable plug:	SCHUKO
Controls:	
Control box:	control box included



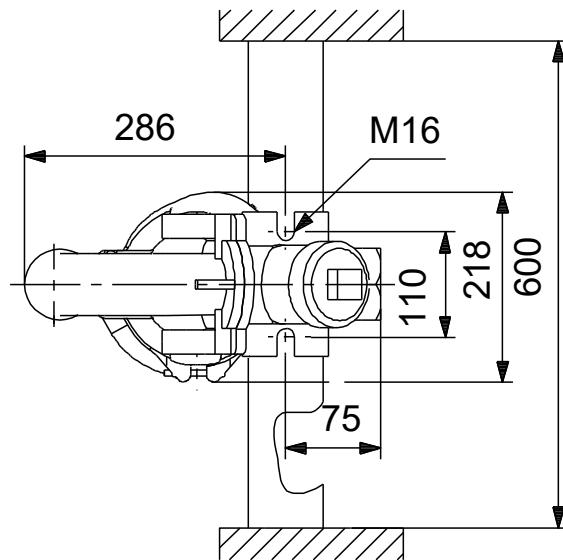
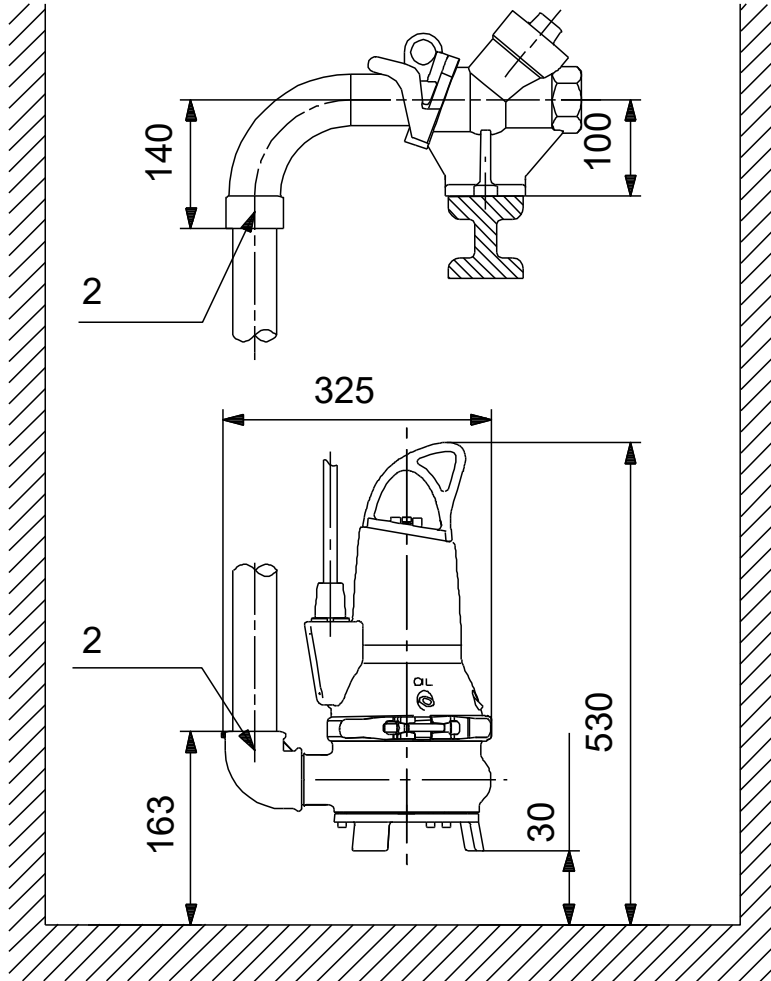
Description	Value
Additional I/O:	External
Moisture sensor:	without moisture sensors
Water-in-oil sensor:	without water-in-oil sensor
AUTOADAPT with/without (Yes/No):	NO
Others:	
Net weight:	41 kg
Danish VVS No.:	391292332
Country of origin:	HU
Custom tariff no.:	84137021

96115113 EF30.50.09.A.2.1.502 50 Hz



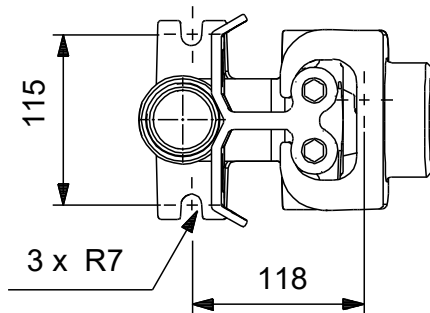
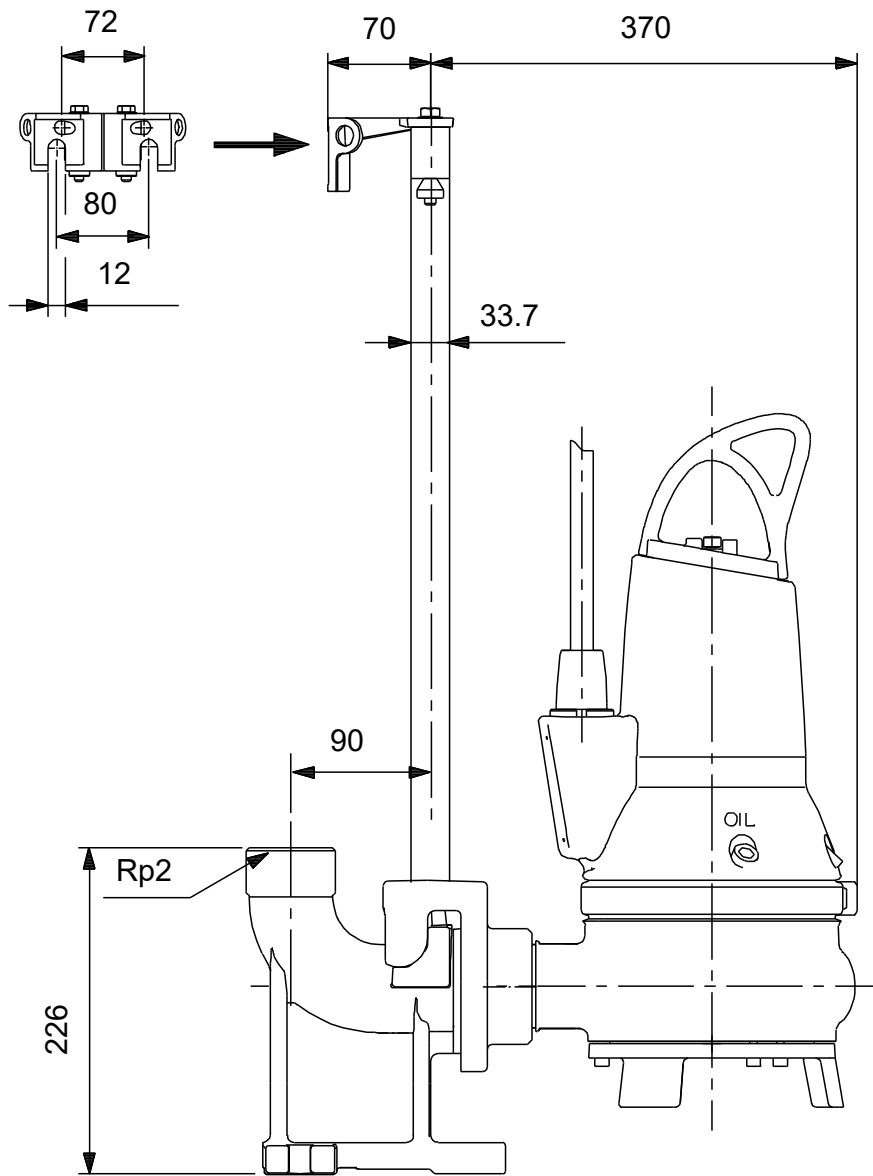
Note! All units are in [mm] unless others are stated.
Disclaimer: This simplified dimensional drawing does not show all details.

96115113 EF30.50.09.A.2.1.502 50 Hz



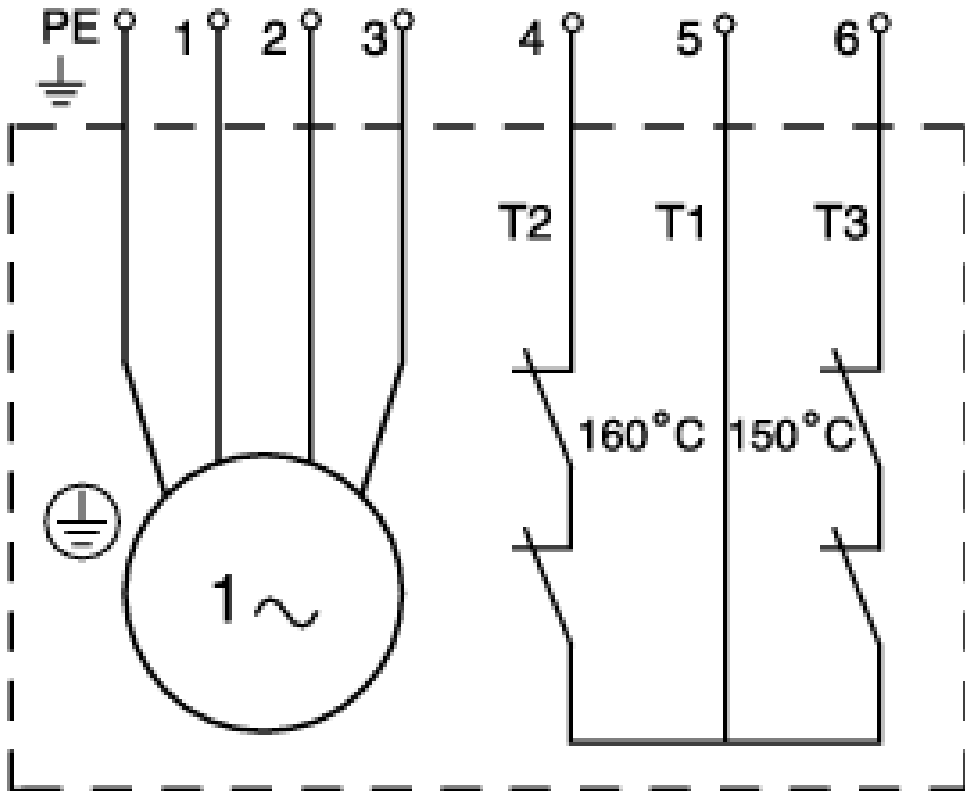
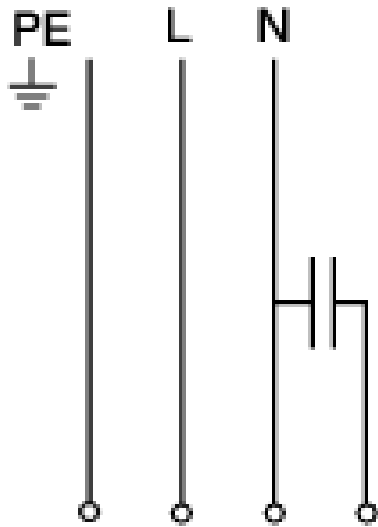
Note! All units are in [mm] unless others are stated.
Disclaimer: This simplified dimensional drawing does not show all details.

96115113 EF30.50.09.A.2.1.502 50 Hz



Note! All units are in [mm] unless others are stated.
Disclaimer: This simplified dimensional drawing does not show all details.

96115113 EF30.50.09.A.2.1.502 50 Hz



Note! All units are in [mm] unless others are stated.

