
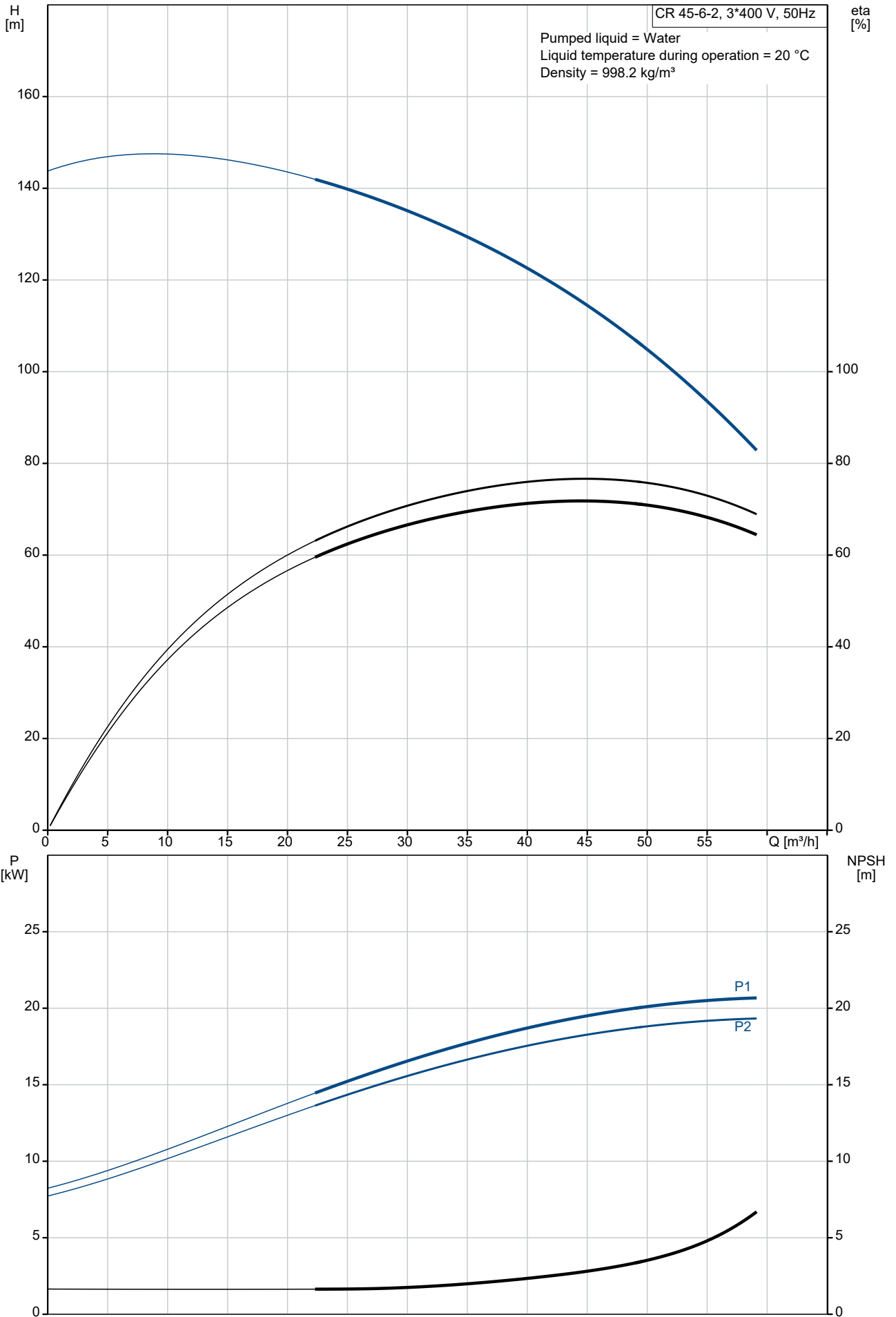


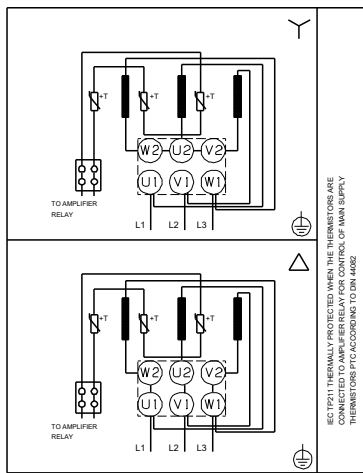
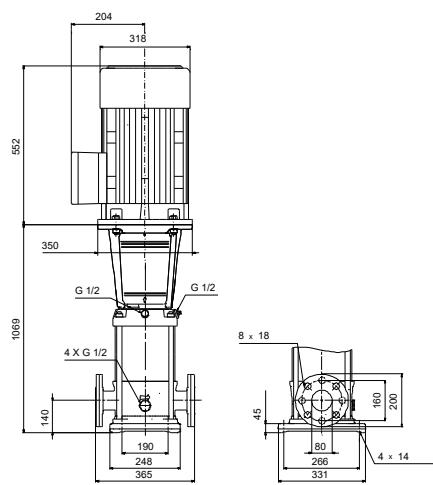
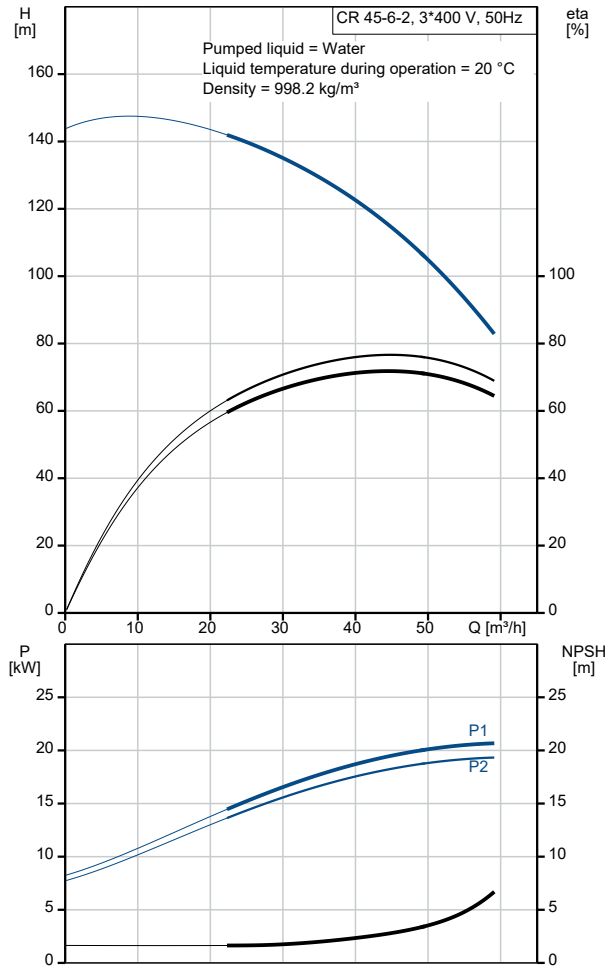
Qty.	Description
1	<b>CR 45-6-2 A-F-A-V-HQQV</b>
	
	<p align="center"><b>Note! Product picture may differ from actual product</b></p>
	<p>Product No.: On request</p>
	<p>Vertical, multistage centrifugal pump with inlet and outlet ports on same the level (inline). The pump head and base are in cast iron – all other wetted parts are in stainless steel. A cartridge shaft seal ensures high reliability, safe handling, and easy access and service. Power transmission is via a rigid split coupling. Pipe connection is via DIN flanges.</p>
	<p>The pump is fitted with a 3-phase, fan-cooled asynchronous motor.</p>
	<p>Liquid:  Pumped liquid: Water  Liquid temperature range: -20 .. 90 °C  Selected liquid temperature: 20 °C  Density: 998.2 kg/m<sup>3</sup></p>
	<p>Technical:  Pump speed on which pump data are based: 2947 rpm  Rated flow: 45 m<sup>3</sup>/h  Rated head: 113.3 m  Pump orientation: Vertical  Shaft seal arrangement: Single  Code for shaft seal: HQQV  Approvals: CE,EAC,UKCA,SEPRO  Approvals for drinking water: WRAS  Curve tolerance: ISO9906:2012 3B</p>
	<p>Materials:  Base: Cast iron  EN 1563 EN-GJS-500-7  ASTM A536 80-55-06  Impeller: Stainless steel  EN 1.4301  AISI 304  Bearing: SIC  Support bearing: Graflon</p>
	<p>Installation:  t max amb: 60 °C  Maximum operating pressure: 30 bar  Max pressure at stated temp: 30 bar / 90 °C  30 bar / -20 °C</p>
	<p>Type of connection: DIN  Size of inlet connection: DN 80  Size of outlet connection: DN 80  Pressure rating for connection: PN 40  Flange size for motor: FF300</p>
	<p>Electrical data:  Motor standard: IEC  Motor type: 180MB  IE Efficiency class: IE3  Rated power - P2: 22 kW  Power (P2) required by pump: 22 kW  Mains frequency: 50 Hz</p>

Qty.	Description
1	<p>Rated voltage: 3 x 380-415D/660-690Y V</p> <p>Rated current: 39.5/22.8 A</p> <p>Starting current: 830 %</p> <p>Cos phi - power factor: 0.90-0.90</p> <p>Rated speed: 2950 rpm</p> <p>Efficiency: IE3 92,7%</p> <p>Motor efficiency at full load: 92.7-92.7 %</p> <p>Motor efficiency at 3/4 load: 93.7 %</p> <p>Motor efficiency at 1/2 load: 94.4 %</p> <p>Number of poles: 2</p> <p>Enclosure class (IEC 34-5): 55 Dust/Jetting</p> <p>Insulation class (IEC 85): F</p> <p>Motor No: 85U17530</p> <p>Controls:</p> <p>Frequency converter: NONE</p> <p>Others:</p> <p>Minimum efficiency index, MEI ≥: 0.70</p> <p>Net weight: 217 kg</p> <p>Gross weight: 256 kg</p> <p>Shipping volume: 0.805 m<sup>3</sup></p> <p>Country of origin: GB</p> <p>Custom tariff no.: 84137075</p>

# On request CR 45-6-2 A-F-A-V-HQQV 50 Hz

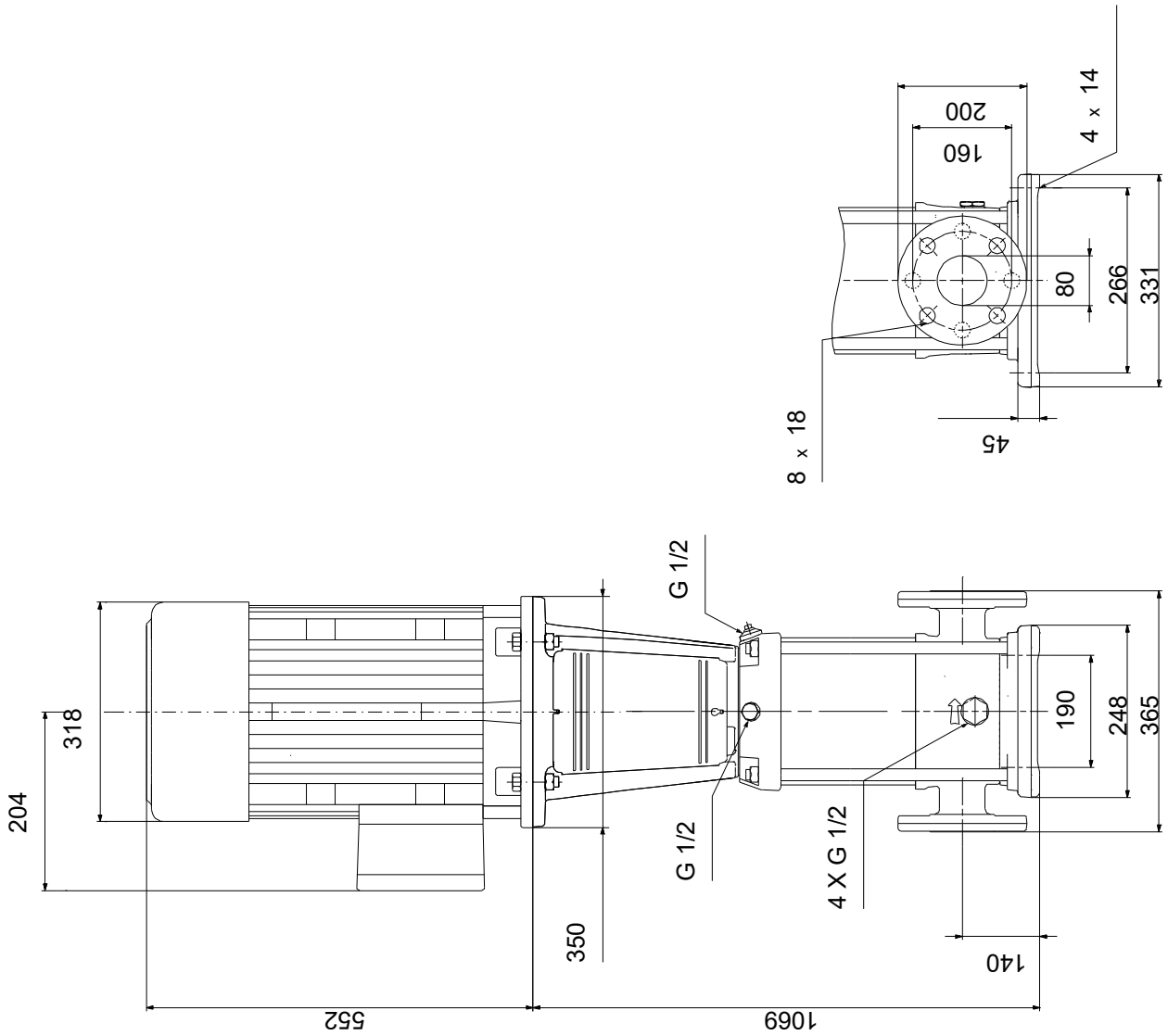


Description	Value
<b>General information:</b>	
Product name:	CR 45-6-2 A-F-A-V-HQQV
Product No:	On request
EAN number:	On request
<b>Technical:</b>	
Pump speed on which pump data are based:	2947 rpm
Rated flow:	45 m <sup>3</sup> /h
Rated head:	113.3 m
Maximum head:	143.2 m
Stages:	6
Impellers:	6
Number of reduced-diameter impellers:	2
Low NPSH:	N
Pump orientation:	Vertical
Shaft seal arrangement:	Single
Code for shaft seal:	HQQV
Approvals:	CE,EAC,UKCA,SEPRO
Approvals for drinking water:	WRAS
Curve tolerance:	ISO9906:2012 3B
Pump version:	A
Model:	B
<b>Materials:</b>	
Base:	Cast iron
Base:	EN 1563 EN-GJS-500-7
Base:	ASTM A536 80-55-06
Impeller:	Stainless steel
Impeller:	EN 1.4301
Impeller:	AISI 304
Material code:	A
Code for rubber:	V
Bearing:	SIC
Support bearing:	Graflon
<b>Installation:</b>	
t max amb:	60 °C
Maximum operating pressure:	30 bar
Max pressure at stated temp:	30 bar / 90 °C
Max pressure at stated temp:	30 bar / -20 °C
Type of connection:	DIN
Size of inlet connection:	DN 80
Size of outlet connection:	DN 80
Pressure rating for connection:	PN 40
Flange size for motor:	FF300
Connect code:	F
<b>Liquid:</b>	
Pumped liquid:	Water
Liquid temperature range:	-20 .. 90 °C
Selected liquid temperature:	20 °C
Density:	998.2 kg/m <sup>3</sup>
<b>Electrical data:</b>	
Motor standard:	IEC
Motor type:	180MB
IE Efficiency class:	IE3
Rated power - P2:	22 kW
Power (P2) required by pump:	22 kW
Mains frequency:	50 Hz
Rated voltage:	3 x 380-415D/660-690Y V
Rated current:	39.5/22.8 A
Starting current:	830 %
Cos phi - power factor:	0.90-0.90
Rated speed:	2950 rpm



Description	Value
Efficiency:	IE3 92,7%
Motor efficiency at full load:	92.7-92.7 %
Motor efficiency at 3/4 load:	93.7 %
Motor efficiency at 1/2 load:	94.4 %
Number of poles:	2
Enclosure class (IEC 34-5):	55 Dust/Jetting
Insulation class (IEC 85):	F
Built-in motor protection:	PTC
Motor No:	85U17530
<b>Controls:</b>	
Frequency converter:	NONE
<b>Others:</b>	
Minimum efficiency index, MEI ≥:	0.70
Net weight:	217 kg
Gross weight:	256 kg
Shipping volume:	0.805 m <sup>3</sup>
Country of origin:	GB
Custom tariff no.:	84137075

# On request CR 45-6-2 A-F-A-V-HQQV 50 Hz



Note! All units are in [mm] unless others are stated.  
Disclaimer: This simplified dimensional drawing does not show all details.

**On request CR 45-6-2 A-F-A-V-HQQV 50 Hz**



IEC TP211 THERMALLY PROTECTED WHEN THE THERMISTORS ARE  
CONNECTED TO AMPLIFIER RELAY FOR CONTROL OF MAIN SUPPLY  
THERMISTORS PTC ACCORDING TO DIN 44082

Note! All units are in [mm] unless others are stated.

