

**Qty. Description**

1 SE1.100.100.40.A.EX.4.51D.B



Note! Product picture may differ from actual product

Product No.: [96177691](#)

Non-self-priming, single-stage, centrifugal pump designed for handling wastewater, process water and unscreened raw sewage.

The pump is designed for intermittent and continuous operation. The liquidless and maintenance free cooling system ensures that the pump can be used for submerged or dry installation. The revolutionary S-tube® impeller provides free spherical passage of solids up to 100 mm and is suitable for wastewater with a dry matter content of up to 3 %. A unique stainless-steel clamp assembling system enables quick and easy disassembly of the pump from the motor unit for service and inspection. No special tools are required. Pipework connection is via a DIN flange.

The pump is explosion-proof.

### Further product details

The pump is suitable for both temporary and permanent installation either as free-standing on ring stand, on base stand, on brackets or on an auto-coupling system.

### Pump

The pump is fitted with an easy-to-clean stainless-steel motor sleeve (EN 1.4301) that is extremely robust and impact-resistant. Pump housing and impeller is made of cast iron (EN-GJL-250).

All surfaces of the cast iron parts are protected with cathodolysis coating.

The surface of the cast iron pump parts is afterwards painted with environmental friendly powder coating (type NCS 9000N (black), gloss code 30, thickness 100 µm) which ensures high impact and corrosion protection.

The final pump is assembled from already painted parts which ensures that no rust or scale can be formed in grooves between parts, etc.

The S-tube® impeller is providing free spherical passage through the impeller and pump housing and creates a natural extension of the pipework connected to the pump.

The S-tube® impeller is a wet-balanced and tube-shaped channel impeller placed in a pump housing that matches the smooth tube shape leaving no obstructions or dead zones.

The key to the S-tube® design is simplicity, with no cutting or moving functions that can get worn over time, thereby ensuring constant, superior efficiency. The simple design means lower life cycle costs because abrasive wear is reduced and there are fewer clogging incidents.

**Qty. Description**

1



The shaft seal consists of two mechanical seals that ensure a reliable sealing between the pumped liquid and motor. The shaft seals are incorporated in a single-unit cartridge shaft seal system that is easy to replace in the field without use of special tools.

The combination of the primary and secondary seals in a cartridge shaft seal system results in a shorter assembly length compared to conventional shaft seals.

- Primary seal: Silicon carbide/silicon carbide (SiC/SiC)
- Secondary seal: Carbon/Ceramics

The shaft seal is bidirectional, meaning it operates correctly in case of backflow through the pump.



The pump is approved according to EN12050-1. Furthermore, the pump is approved for installation in explosive atmospheres and holds the following examination certificate:

- ATEX (EU): KEMA04ATEX2201

The certificate has been issued according to the ATEX directive (94/9/EC).

For applications involving a risk of explosion, or where otherwise required, the pump is approved with the following explosion protection classifications.

Mains-driven pump, without sensor:

II2 GD Ex cd IIB T4, T3 and Ex c tD A21 IP68 T135°C, T200°C

Mains-driven pump, with sensor:

II2 GD Ex cd mb IIB T4, T3 and Ex c tD A21 IP68 T135°C, T200°C

Frequency converter pump, without sensor:

II2 GD Ex cd IIB T4, T3 and Ex c tD A21 IP68 T135°C, T200°C

Frequency converter pump, with sensor:

II2 GD Ex cd mb IIB T4, T3 and Ex c tD A21 IP68 T135°C, T200°C

## Motor

The motor is a watertight, totally encapsulated motor supplied with a 10 m power cable. The stainless steel plug is fastened with a union nut. This nut and the O-rings provide sealing against ingress of the liquid.

The plug is polyurethane-embedded, ensuring a watertight and durable seal around the leads of the cable. This prevents the ingress of water into the motor through the cable in case of cable breakage or adverse handling in connection with installation or service.

A compact motor construction with a short shaft reduces vibrations, resulting in an increased efficiency and lifetime of the shaft seal and ball bearings.

The motor features built-in thermal protection to protect the motor against overheating and ensure the reliability.

Qty.	Description																																																														
1	<p>A solid-block stator housing with built-in cooling conduits, efficiently transfers excess heat to the pumped liquid via a solid cast intermediate cooling flange, that is in direct contact with the pumped liquid.</p> <p>This allows for continuous operation even in a dry installation.</p> <p>An extremely robust impact-resistant stainless-steel jacket with an easy-to-clean smooth surface is fitted on the top of the solid-block stator housing.</p> <p>The pump is equipped with the following sensor(s):</p> <ul style="list-style-type: none"> <li>- A digital moisture switch that is fitted in the motor chamber monitors whether water enters the motor chamber. If moisture is detected in the motor chamber, the switch will trip and send a warning to the sensor module.</li> <li>- A Pt1000 sensor in motor windings for stator temperature measurements.</li> <li>- An analog sensor that is fitted in the oil chamber monitors whether water enters the pump from the liquid side. It sends a signal if the water content is outside the normal range (warning), or if there is air in the oil chamber (alarm).</li> </ul> <p>The pump is designed for speed-controlled operation to keep the energy consumption at a minimum.</p> <p>To avoid the risk of sedimentation in the pipes, we recommend that you operate the speed-controlled pump within a speed range of 30 % to 100 % and at a flow rate above 1 m/s.</p> <p><b>Controls:</b></p> <table border="0"> <tr> <td>Moisture sensor:</td> <td>with moisture sensors</td> </tr> <tr> <td>Water-in-oil sensor:</td> <td>with water-in-oil sensor</td> </tr> <tr> <td>Temp. sensor:</td> <td>Y</td> </tr> </table> <p><b>Liquid:</b></p> <table border="0"> <tr> <td>Liquid temperature range:</td> <td>0 .. 40 °C</td> </tr> <tr> <td>Density:</td> <td>998.2 kg/m<sup>3</sup></td> </tr> </table> <p><b>Technical:</b></p> <table border="0"> <tr> <td>Max flow:</td> <td>63.6 l/s</td> </tr> <tr> <td>Type of impeller:</td> <td>S-TUBE</td> </tr> <tr> <td>Maximum particle size:</td> <td>100 mm</td> </tr> <tr> <td>Primary shaft seal:</td> <td>SIC/SIC</td> </tr> <tr> <td>Max. hydraulic efficiency:</td> <td>67 %</td> </tr> <tr> <td>Approvals:</td> <td>EN12050-1</td> </tr> <tr> <td>Curve tolerance:</td> <td>ISO9906:2012 3B2</td> </tr> </table> <p><b>Materials:</b></p> <table border="0"> <tr> <td>Pump housing:</td> <td>EN 1561 EN-GJL-250</td> </tr> <tr> <td>Impeller:</td> <td>Cast iron EN 5.1301 EN-GJL-250</td> </tr> </table> <p><b>Installation:</b></p> <table border="0"> <tr> <td>Maximum operating pressure:</td> <td>6 bar</td> </tr> <tr> <td>Flange standard:</td> <td>DIN</td> </tr> <tr> <td>Pump outlet:</td> <td>DN 100</td> </tr> <tr> <td>Pressure rating:</td> <td>PN 10</td> </tr> <tr> <td>Maximum installation depth:</td> <td>20 m</td> </tr> <tr> <td>Auto-coupling:</td> <td>96090994</td> </tr> </table> <p><b>Electrical data:</b></p> <table border="0"> <tr> <td>Power input - P1:</td> <td>4.9 kW</td> </tr> <tr> <td>Rated power - P2:</td> <td>4 kW</td> </tr> <tr> <td>Mains frequency:</td> <td>50 Hz</td> </tr> <tr> <td>Rated voltage:</td> <td>3 x 380-415 V</td> </tr> <tr> <td>Voltage tolerance:</td> <td>+6/-10 %</td> </tr> <tr> <td>Max starts per. hour:</td> <td>20</td> </tr> <tr> <td>Rated current:</td> <td>10.0-10.2 A</td> </tr> <tr> <td>Rated current at 3/4 load:</td> <td>8.2 A</td> </tr> <tr> <td>Rated current at 1/2 load:</td> <td>7.1 A</td> </tr> <tr> <td>Starting current:</td> <td>67 A</td> </tr> <tr> <td>Rated current at no load:</td> <td>6.1 A</td> </tr> </table>	Moisture sensor:	with moisture sensors	Water-in-oil sensor:	with water-in-oil sensor	Temp. sensor:	Y	Liquid temperature range:	0 .. 40 °C	Density:	998.2 kg/m <sup>3</sup>	Max flow:	63.6 l/s	Type of impeller:	S-TUBE	Maximum particle size:	100 mm	Primary shaft seal:	SIC/SIC	Max. hydraulic efficiency:	67 %	Approvals:	EN12050-1	Curve tolerance:	ISO9906:2012 3B2	Pump housing:	EN 1561 EN-GJL-250	Impeller:	Cast iron EN 5.1301 EN-GJL-250	Maximum operating pressure:	6 bar	Flange standard:	DIN	Pump outlet:	DN 100	Pressure rating:	PN 10	Maximum installation depth:	20 m	Auto-coupling:	96090994	Power input - P1:	4.9 kW	Rated power - P2:	4 kW	Mains frequency:	50 Hz	Rated voltage:	3 x 380-415 V	Voltage tolerance:	+6/-10 %	Max starts per. hour:	20	Rated current:	10.0-10.2 A	Rated current at 3/4 load:	8.2 A	Rated current at 1/2 load:	7.1 A	Starting current:	67 A	Rated current at no load:	6.1 A
Moisture sensor:	with moisture sensors																																																														
Water-in-oil sensor:	with water-in-oil sensor																																																														
Temp. sensor:	Y																																																														
Liquid temperature range:	0 .. 40 °C																																																														
Density:	998.2 kg/m <sup>3</sup>																																																														
Max flow:	63.6 l/s																																																														
Type of impeller:	S-TUBE																																																														
Maximum particle size:	100 mm																																																														
Primary shaft seal:	SIC/SIC																																																														
Max. hydraulic efficiency:	67 %																																																														
Approvals:	EN12050-1																																																														
Curve tolerance:	ISO9906:2012 3B2																																																														
Pump housing:	EN 1561 EN-GJL-250																																																														
Impeller:	Cast iron EN 5.1301 EN-GJL-250																																																														
Maximum operating pressure:	6 bar																																																														
Flange standard:	DIN																																																														
Pump outlet:	DN 100																																																														
Pressure rating:	PN 10																																																														
Maximum installation depth:	20 m																																																														
Auto-coupling:	96090994																																																														
Power input - P1:	4.9 kW																																																														
Rated power - P2:	4 kW																																																														
Mains frequency:	50 Hz																																																														
Rated voltage:	3 x 380-415 V																																																														
Voltage tolerance:	+6/-10 %																																																														
Max starts per. hour:	20																																																														
Rated current:	10.0-10.2 A																																																														
Rated current at 3/4 load:	8.2 A																																																														
Rated current at 1/2 load:	7.1 A																																																														
Starting current:	67 A																																																														
Rated current at no load:	6.1 A																																																														

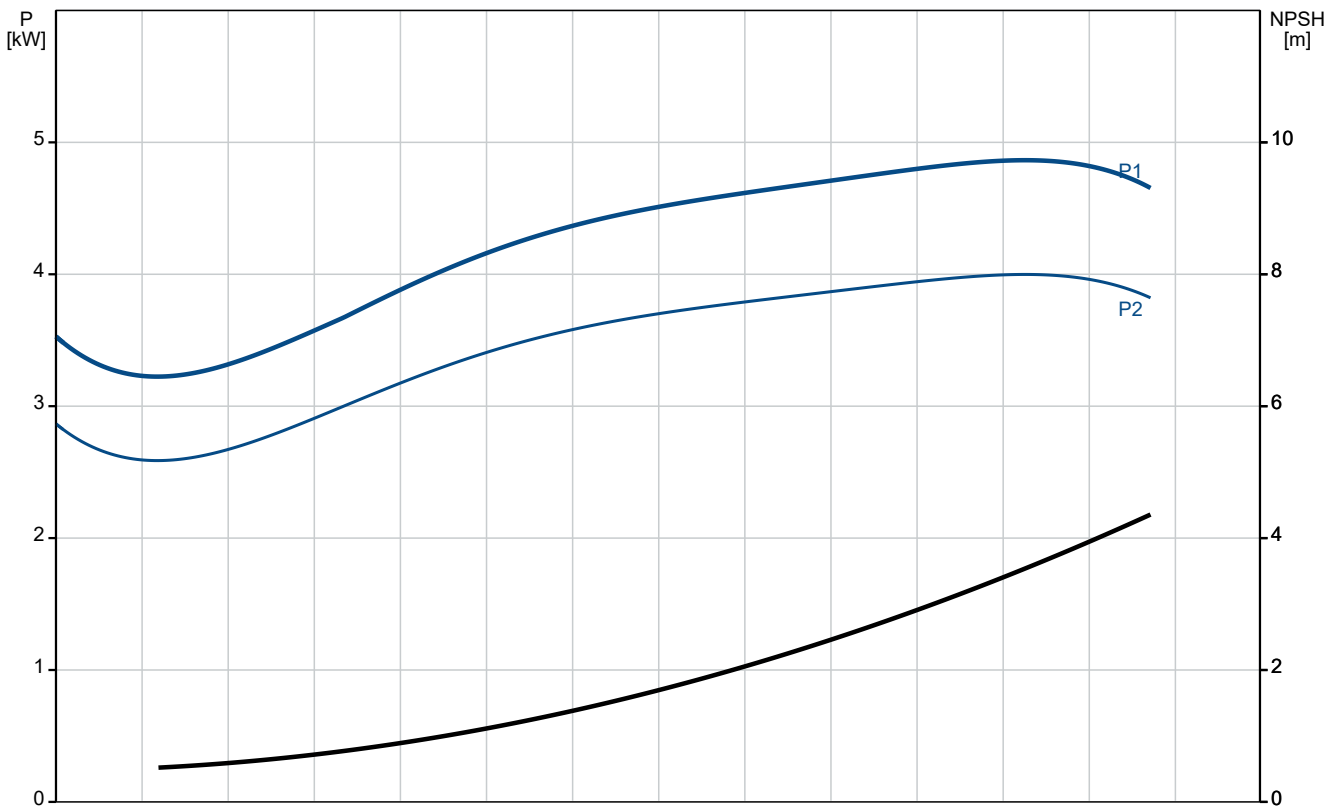
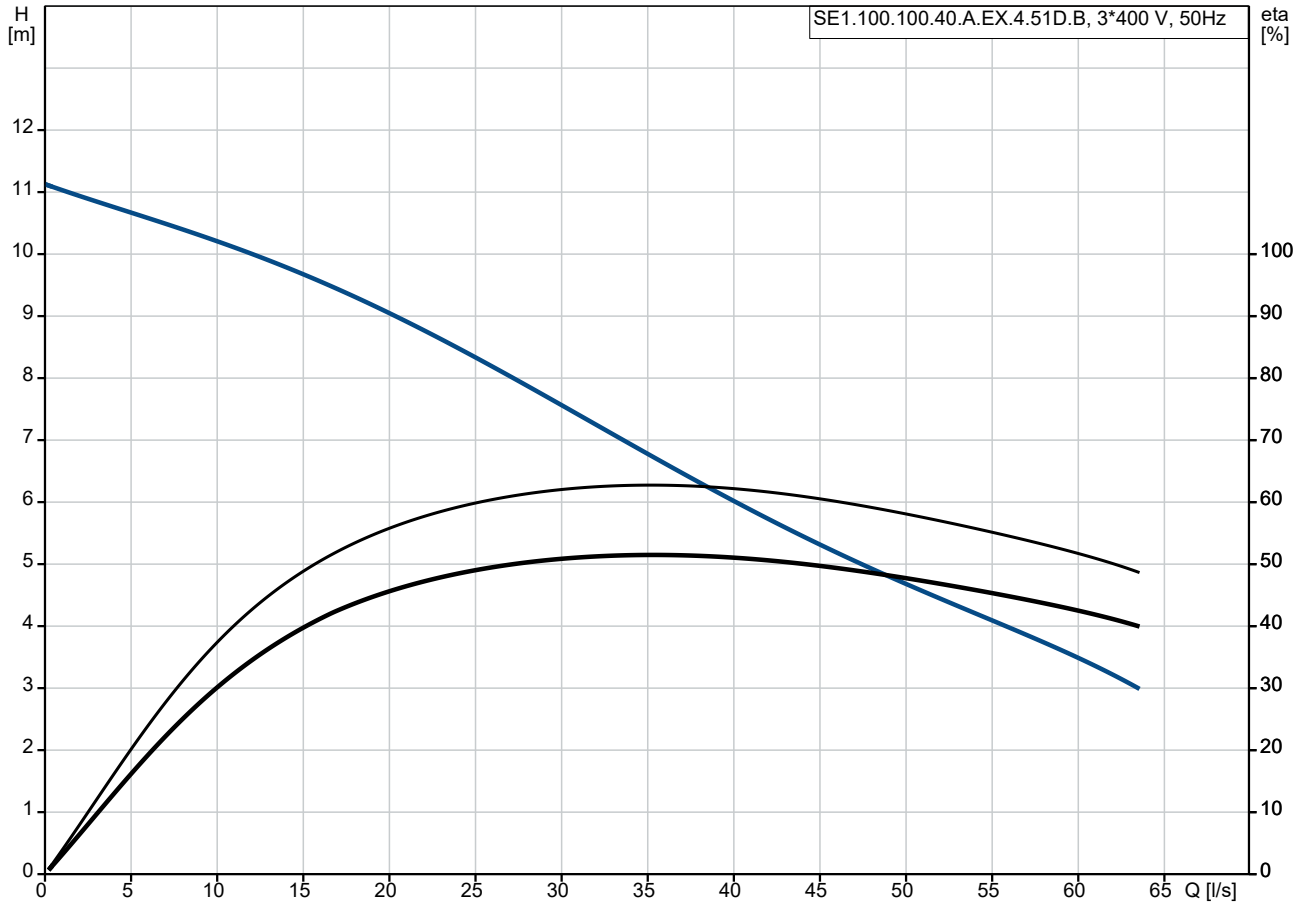
Qty.	Description																																														
1	<table> <tr> <td>Cos phi - power factor:</td> <td>0.73</td> </tr> <tr> <td>Cos phi - p.f. at no load:</td> <td>0.11</td> </tr> <tr> <td>Cos phi - p.f. at 3/4 load:</td> <td>0.65</td> </tr> <tr> <td>Cos phi - p.f. at 1/2 load:</td> <td>0.52</td> </tr> <tr> <td>Rated speed:</td> <td>1460 rpm</td> </tr> <tr> <td>Locked-rotor torque:</td> <td>72 Nm</td> </tr> <tr> <td>Breakdown torque:</td> <td>100 Nm</td> </tr> <tr> <td>Moment of inertia:</td> <td>0.128 kg m<sup>2</sup></td> </tr> <tr> <td>Motor efficiency at full load:</td> <td>82.2 %</td> </tr> <tr> <td>Motor efficiency at 3/4 load:</td> <td>81.7 %</td> </tr> <tr> <td>Motor efficiency at 1/2 load:</td> <td>78.2 %</td> </tr> <tr> <td>Number of poles:</td> <td>4</td> </tr> <tr> <td>Start. method:</td> <td>star/delta</td> </tr> <tr> <td>Enclosure class (IEC 34-5):</td> <td>IP68</td> </tr> <tr> <td>Insulation class (IEC 85):</td> <td>F</td> </tr> <tr> <td>Explosion proof:</td> <td>yes</td> </tr> <tr> <td>Ex-protection standard:</td> <td>Ex db eb h mb IIB T4, T3 Gb</td> </tr> <tr> <td>Length of cable:</td> <td>10 m</td> </tr> <tr> <td>Cable type:</td> <td>LYNIFLEX</td> </tr> <tr> <td>Type of cable plug:</td> <td>No plug</td> </tr> <tr> <td colspan="2">Others:</td> </tr> <tr> <td>Net weight:</td> <td>179 kg</td> </tr> <tr> <td>Gross weight:</td> <td>200 kg</td> </tr> </table>	Cos phi - power factor:	0.73	Cos phi - p.f. at no load:	0.11	Cos phi - p.f. at 3/4 load:	0.65	Cos phi - p.f. at 1/2 load:	0.52	Rated speed:	1460 rpm	Locked-rotor torque:	72 Nm	Breakdown torque:	100 Nm	Moment of inertia:	0.128 kg m <sup>2</sup>	Motor efficiency at full load:	82.2 %	Motor efficiency at 3/4 load:	81.7 %	Motor efficiency at 1/2 load:	78.2 %	Number of poles:	4	Start. method:	star/delta	Enclosure class (IEC 34-5):	IP68	Insulation class (IEC 85):	F	Explosion proof:	yes	Ex-protection standard:	Ex db eb h mb IIB T4, T3 Gb	Length of cable:	10 m	Cable type:	LYNIFLEX	Type of cable plug:	No plug	Others:		Net weight:	179 kg	Gross weight:	200 kg
Cos phi - power factor:	0.73																																														
Cos phi - p.f. at no load:	0.11																																														
Cos phi - p.f. at 3/4 load:	0.65																																														
Cos phi - p.f. at 1/2 load:	0.52																																														
Rated speed:	1460 rpm																																														
Locked-rotor torque:	72 Nm																																														
Breakdown torque:	100 Nm																																														
Moment of inertia:	0.128 kg m <sup>2</sup>																																														
Motor efficiency at full load:	82.2 %																																														
Motor efficiency at 3/4 load:	81.7 %																																														
Motor efficiency at 1/2 load:	78.2 %																																														
Number of poles:	4																																														
Start. method:	star/delta																																														
Enclosure class (IEC 34-5):	IP68																																														
Insulation class (IEC 85):	F																																														
Explosion proof:	yes																																														
Ex-protection standard:	Ex db eb h mb IIB T4, T3 Gb																																														
Length of cable:	10 m																																														
Cable type:	LYNIFLEX																																														
Type of cable plug:	No plug																																														
Others:																																															
Net weight:	179 kg																																														
Gross weight:	200 kg																																														



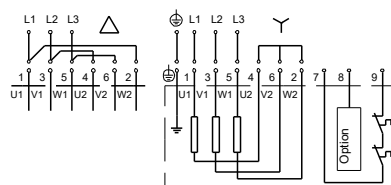
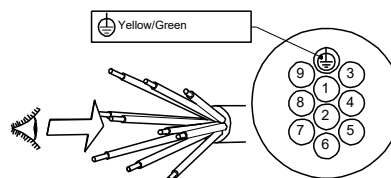
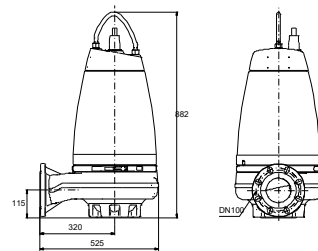
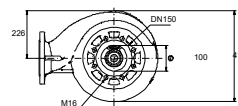
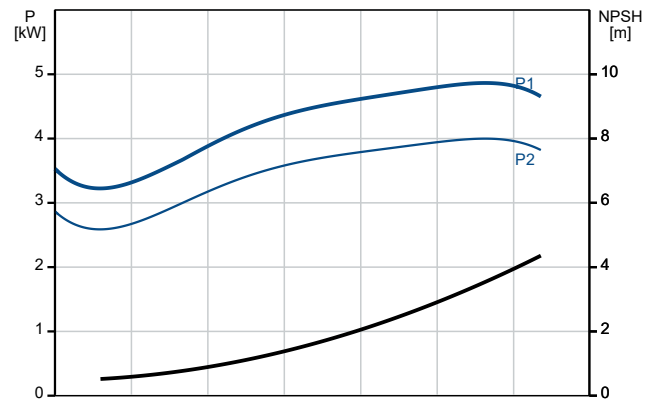
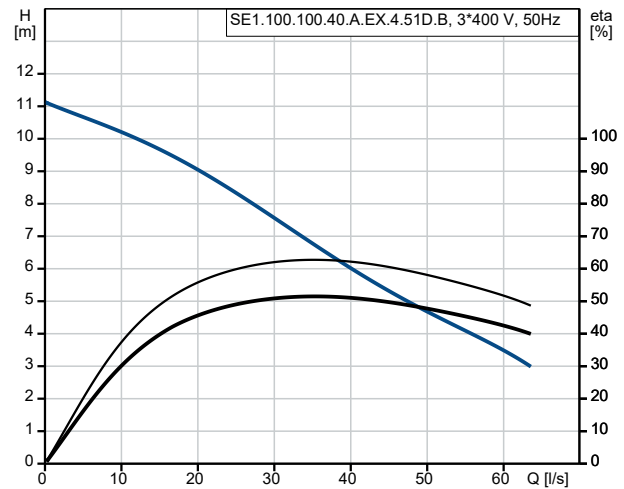
Company name:  
Created by:  
Phone:

Date: 28/12/2022

### 96177691 SE1.100.100.40.A.EX.4.51D.B 50 Hz



Description	Value
<b>General information:</b>	
Product name:	SE1.100.100.40.A.EX.4.51D.B
Product No:	96177691
EAN number:	5700830443378
<b>Technical:</b>	
Max flow:	63.6 l/s
Head max:	11.1 m
Type of impeller:	S-TUBE
Maximum particle size:	100 mm
Primary shaft seal:	SIC/SIC
Max. hydraulic efficiency:	67 %
Approvals:	EN12050-1
Curve tolerance:	ISO9906:2012 3B2
Cooling jacket:	with cooling jacket
<b>Materials:</b>	
Pump housing:	EN 1561 EN-GJL-250
Impeller:	Cast iron
Impeller:	EN 5.1301 EN-GJL-250
<b>Installation:</b>	
Maximum operating pressure:	6 bar
Flange standard:	DIN
Pump outlet:	DN 100
Pressure rating:	PN 10
Maximum installation depth:	20 m
Inst dry/wet:	DRY/SUBMERGED
Installation:	horizontal or vertical
Auto-coupling:	96090994
<b>Liquid:</b>	
Liquid temperature range:	0 .. 40 °C
Density:	998.2 kg/m <sup>3</sup>
<b>Electrical data:</b>	
Power input - P1:	4.9 kW
Rated power - P2:	4 kW
Mains frequency:	50 Hz
Rated voltage:	3 x 380-415 V
Voltage tolerance:	+6/-10 %
Max starts per. hour:	20
Rated current:	10.0-10.2 A
Rated current at 3/4 load:	8.2 A
Rated current at 1/2 load:	7.1 A
Starting current:	67 A
Rated current at no load:	6.1 A
Cos phi - power factor:	0.73
Cos phi - p.f. at no load:	0.11
Cos phi - p.f. at 3/4 load:	0.65
Cos phi - p.f. at 1/2 load:	0.52
Rated speed:	1460 rpm
Locked-rotor torque:	72 Nm
Breakdown torque:	100 Nm
Moment of inertia:	0.128 kg m <sup>2</sup>
Motor efficiency at full load:	82.2 %
Motor efficiency at 3/4 load:	81.7 %
Motor efficiency at 1/2 load:	78.2 %
Number of poles:	4
Start. method:	star/delta
Enclosure class (IEC 34-5):	IP68
Insulation class (IEC 85):	F
Explosion proof:	yes





Company name:

Created by:

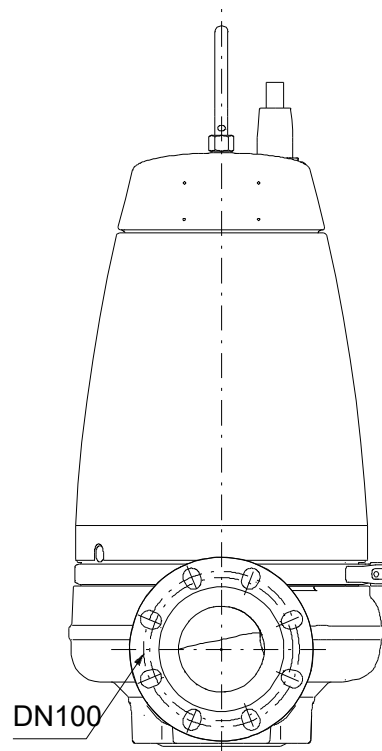
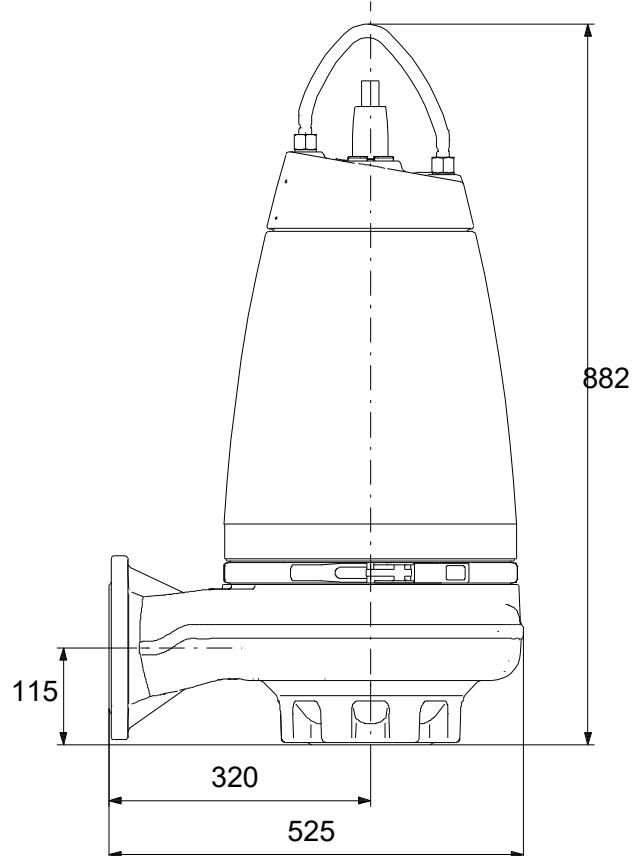
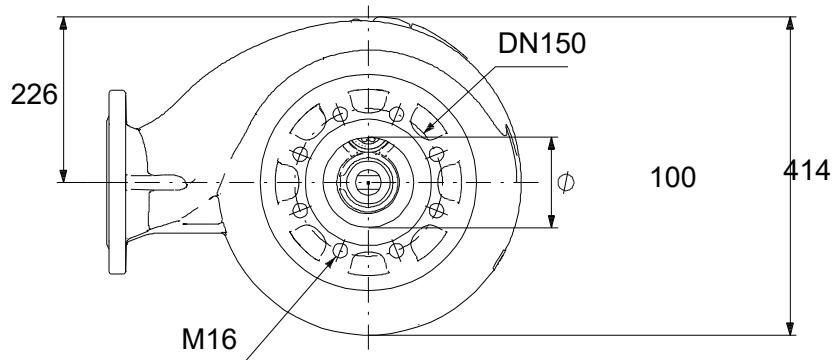
Phone:

Date:

28/12/2022

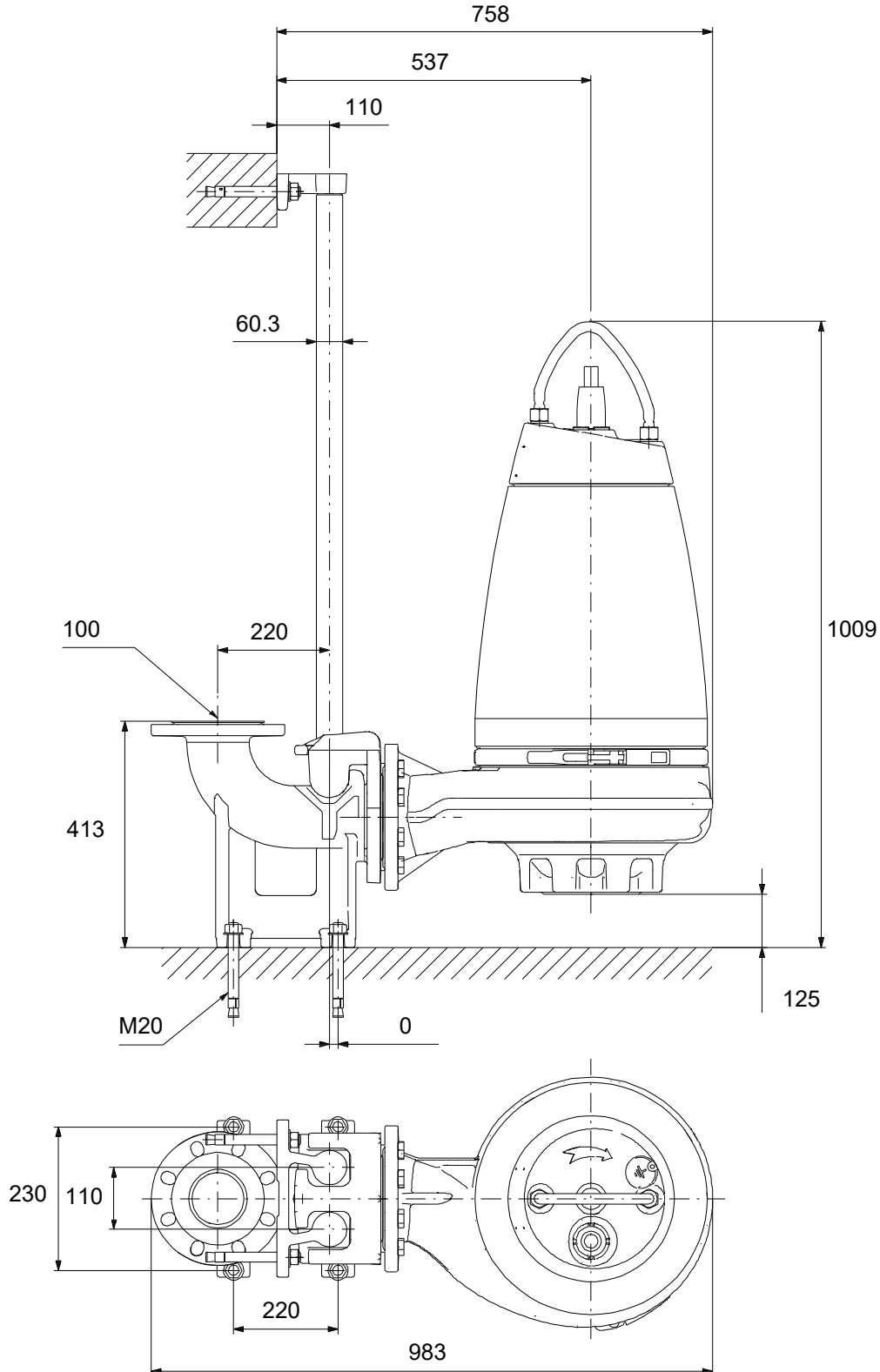
Description	Value
Ex-protection standard:	Ex db eb h mb IIB T4, T3 Gb
Built-in motor protection:	THERMAL SWITCH
Thermal protec:	internal
Length of cable:	10 m
Cable type:	LYNIFLEX
Type of cable plug:	No plug
<b>Controls:</b>	
Control box:	not included
Moisture sensor:	with moisture sensors
Water-in-oil sensor:	with water-in-oil sensor
Temp. sensor:	Y
<b>Others:</b>	
Net weight:	179 kg
Gross weight:	200 kg

## 96177691 SE1.100.100.40.A.EX.4.51D.B 50 Hz



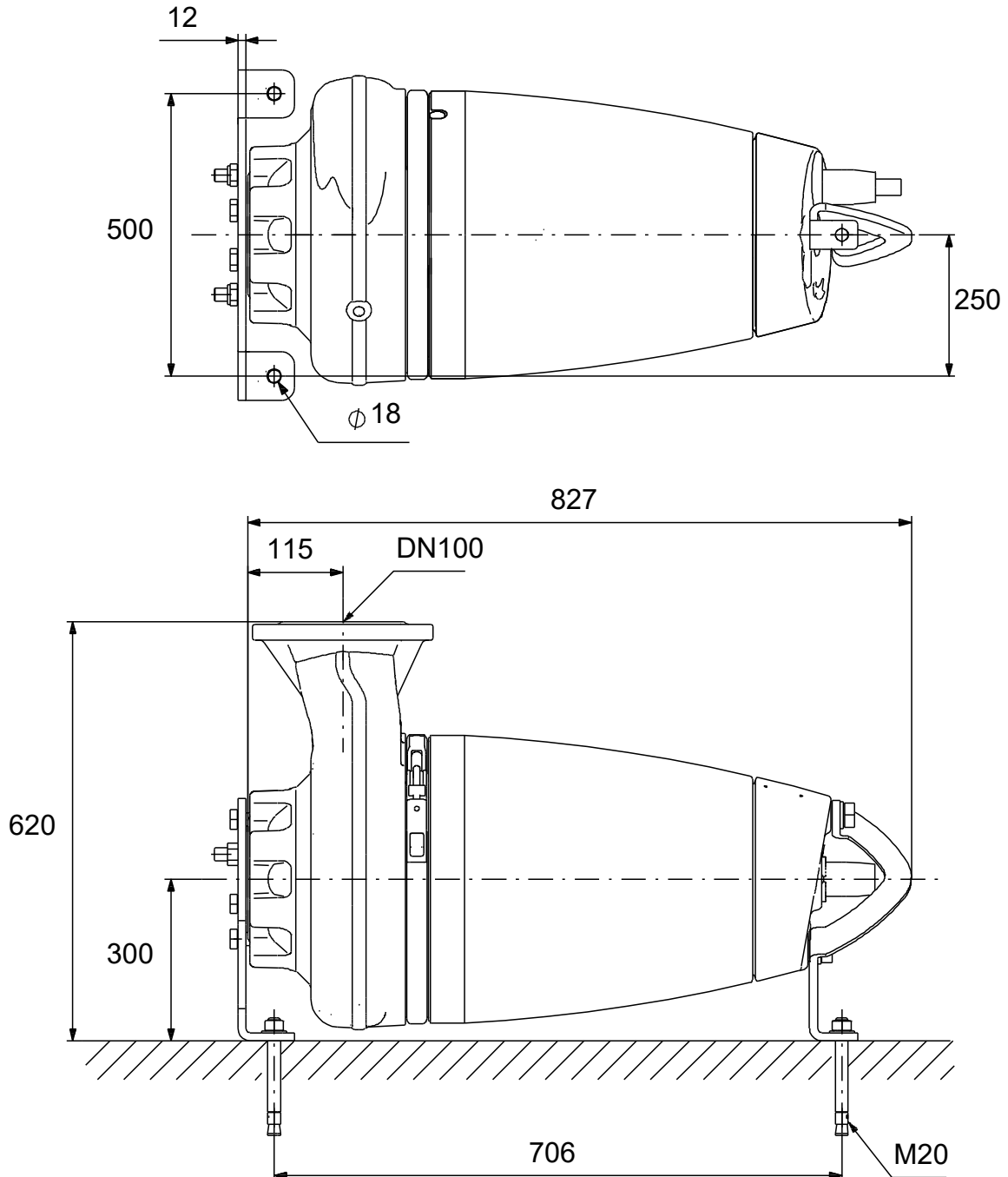
Note! All units are in [mm] unless others are stated.  
Disclaimer: This simplified dimensional drawing does not show all details.

## 96177691 SE1.100.100.40.A.EX.4.51D.B 50 Hz



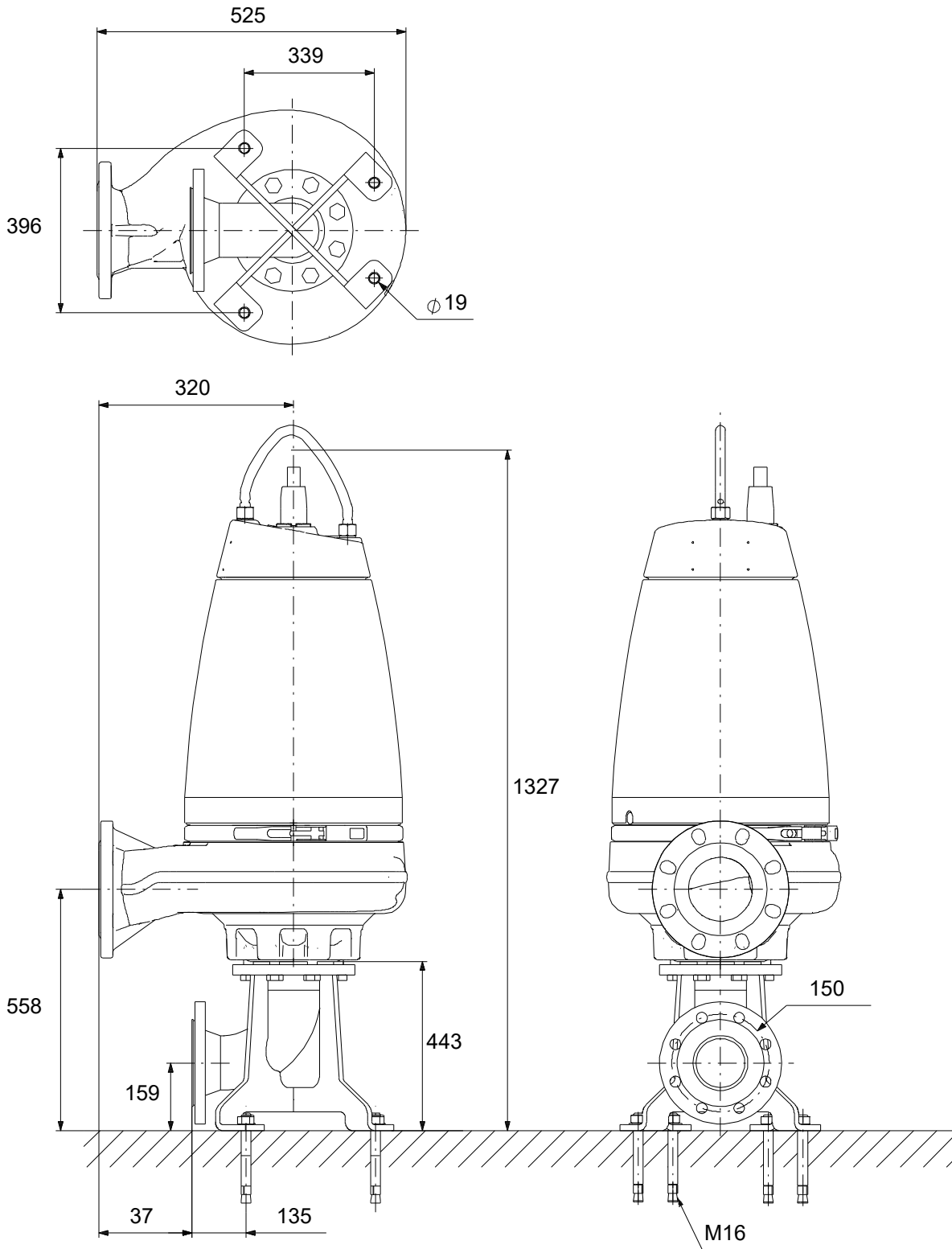
Note! All units are in [mm] unless others are stated.  
Disclaimer: This simplified dimensional drawing does not show all details.

## 96177691 SE1.100.100.40.A.EX.4.51D.B 50 Hz



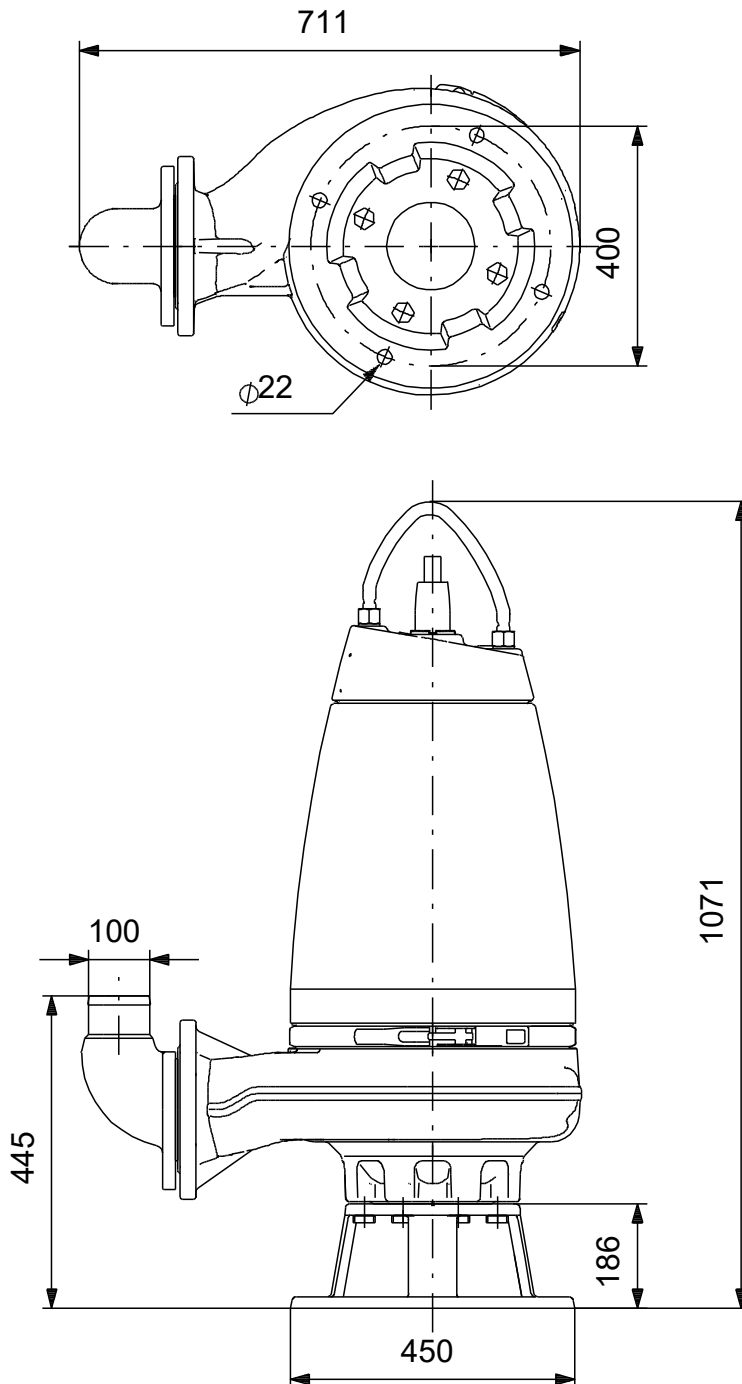
Note! All units are in [mm] unless others are stated.  
Disclaimer: This simplified dimensional drawing does not show all details.

## 96177691 SE1.100.100.40.A.EX.4.51D.B 50 Hz



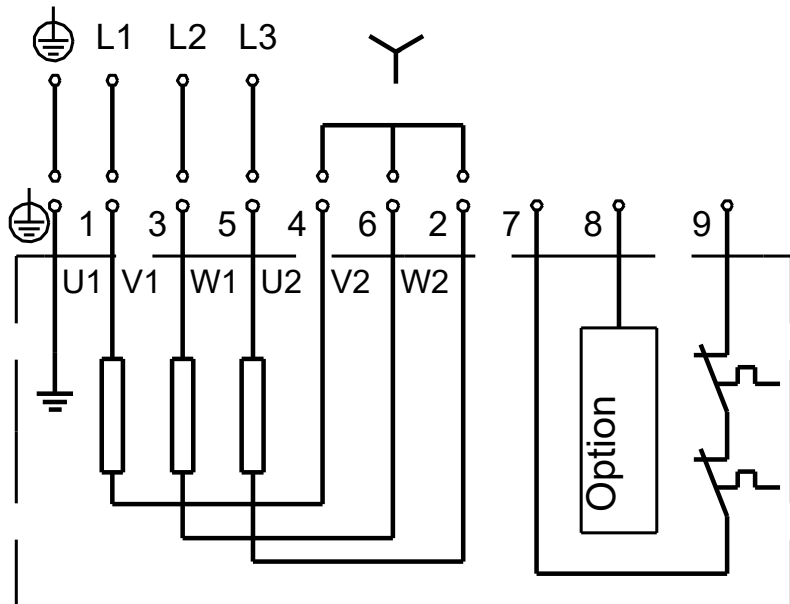
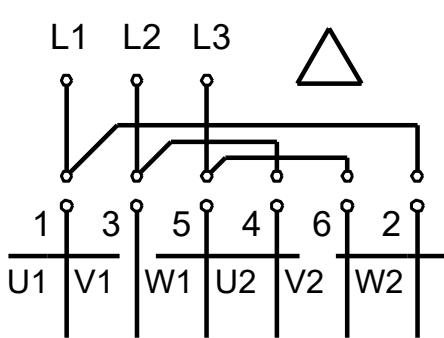
Note! All units are in [mm] unless others are stated.  
Disclaimer: This simplified dimensional drawing does not show all details.

## 96177691 SE1.100.100.40.A.EX.4.51D.B 50 Hz



Note! All units are in [mm] unless others are stated.  
Disclaimer: This simplified dimensional drawing does not show all details.

## 96177691 SE1.100.100.40.A.EX.4.51D.B 50 Hz



Note! All units are in [mm] unless others are stated.

