

Qty.	Description
------	-------------

1	SEV.100.100.75.A.EX.4.51D
---	---------------------------



Note! Product picture may differ from actual product

Product No.: [96177716](#)

Non-self-priming, single-stage, centrifugal pump designed for handling wastewater, process water and unscreened raw sewage.

The pump is designed for intermittent and continuous operation. The liquidless and maintenance free cooling system ensures that the pump can be used for submerged or dry installation. The efficient SuperVortex impeller provides passage of long fibres and solids up to 100 mm and is suitable for wastewater with a dry matter content of up to 5 %. A unique stainless-steel clamp assembling system enables quick and easy disassembly of the pump from the motor unit for service and inspection. No special tools are required. Pipework connection is via a DIN flange.

The pump is explosion-proof.

### Further product details

The pump is suitable for both temporary and permanent installation either as free-standing on ring stand, on base stand, on brackets or on an auto-coupling system.

### Pump

The pump is fitted with an easy-to-clean stainless-steel motor sleeve (EN 1.4301) that is extremely robust and impact-resistant. Pump housing and impeller is made of cast iron (EN-GJL-250).

All surfaces of the cast iron parts are protected with cathodolysis coating.

The surface of the cast iron pump parts is afterwards painted with environmental friendly powder coating (type NCS 9000N (black), gloss code 30, thickness 100 µm) which ensures high impact and corrosion protection.

The final pump is assembled from already painted parts which ensures that no rust or scale can be formed in grooves between parts, etc.

The SuperVortex impeller is a symmetrical multivane winglet impeller.

The design ensures a flow entirely outside the impeller providing limited contact between the impeller and the pumped liquid.

This ensures that long fibres, rags and more passes freely through the pump without getting caught and without causing clogging or jamming.



The shaft seal consists of two mechanical seals that ensure a reliable sealing between the pumped liquid and motor. The shaft seals are incorporated in a single-unit cartridge shaft seal system that is easy to replace in the field without use of special tools.

The combination of the primary and secondary seals in a cartridge shaft seal system results in a shorter assembly length compared to conventional shaft seals.

- Primary seal: Silicon carbide/silicon carbide (SiC/SiC)
- Secondary seal: Carbon/Ceramics

The shaft seal is bidirectional, meaning it operates correctly in case of backflow through the pump.

**Qty. Description**

1



The pump is approved according to EN12050-1. Furthermore, the pump is approved for installation in explosive atmospheres and holds the following examination certificate:

- ATEX (EU): KEMA04ATEX2201

The certificate has been issued according to the ATEX directive (94/9/EC).

For applications involving a risk of explosion, or where otherwise required, the pump is approved with the following explosion protection classifications.

Mains-driven pump, without sensor:

II2 GD Ex cd IIB T4, T3 and Ex c tD A21 IP68 T135°C, T200°C

Mains-driven pump, with sensor:

II2 GD Ex cd mb IIB T4, T3 and Ex c tD A21 IP68 T135°C, T200°C

Frequency converter pump, without sensor:

II2 GD Ex cd IIB T4, T3 and Ex c tD A21 IP68 T135°C, T200°C

Frequency converter pump, with sensor:

II2 GD Ex cd mb IIB T4, T3 and Ex c tD A21 IP68 T135°C, T200°C

**Motor**

The motor is a watertight, totally encapsulated motor supplied with a 10 m power cable. The stainless steel plug is fastened with a union nut. This nut and the O-rings provide sealing against ingress of the liquid.

The plug is polyurethane-embedded, ensuring a watertight and durable seal around the leads of the cable. This prevents the ingress of water into the motor through the cable in case of cable breakage or adverse handling in connection with installation or service.

A compact motor construction with a short shaft reduces vibrations, resulting in an increased efficiency and lifetime of the shaft seal and ball bearings.

The motor features built-in thermal protection to protect the motor against overheating and ensure the reliability.

A solid-block stator housing with built-in cooling conduits, efficiently transfers excess heat to the pumped liquid via a solid cast intermediate cooling flange, that is in direct contact with the pumped liquid.

This allows for continuous operation even in a dry installation.

An extremely robust impact-resistant stainless-steel jacket with an easy-to-clean smooth surface is fitted on the top of the solid-block stator housing.

The pump is equipped with the following sensor(s):

- A digital moisture switch that is fitted in the motor chamber monitors whether water enters the motor chamber. If moisture is detected in the motor chamber, the switch will trip and send a warning to the sensor module.
- A Pt1000 sensor in motor windings for stator temperature measurements.
- An analog sensor that is fitted in the oil chamber monitors whether water enters the pump from the liquid side. It sends a signal if the water content is outside the normal range (warning), or if there is air in the oil chamber (alarm).

The pump is designed for speed-controlled operation to keep the energy consumption at a minimum.

To avoid the risk of sedimentation in the pipes, we recommend that you operate the speed-controlled pump within a speed range of 30 % to 100 % and at a flow rate above 1 m/s.

Controls:

Moisture sensor: with moisture sensors

Water-in-oil sensor: with water-in-oil sensor

Temp. sensor: Y

Liquid:

Liquid temperature range: 0 .. 40 °C

Density: 998.2 kg/m<sup>3</sup>

Technical:

Type of impeller: SUPER VORTEX

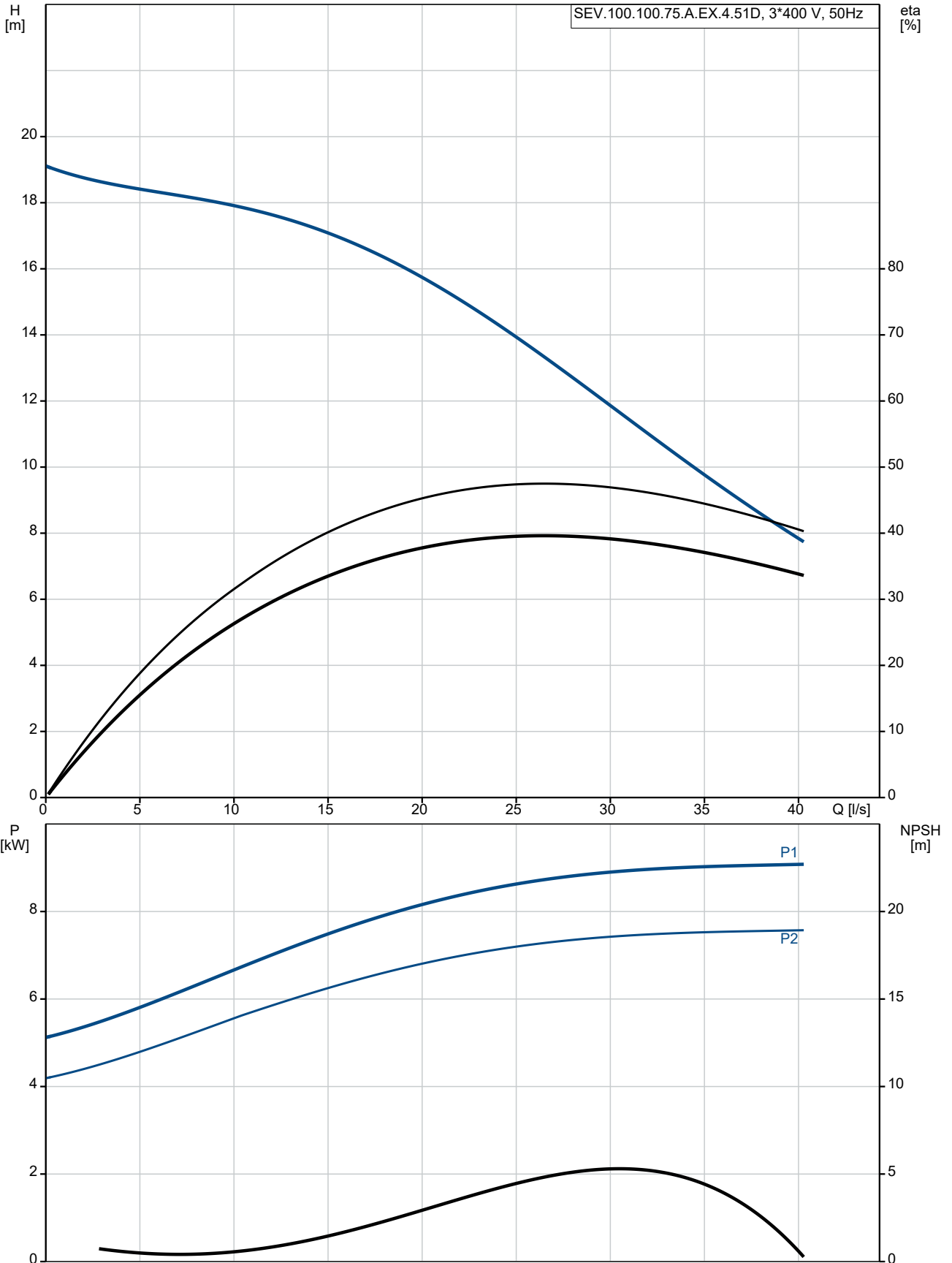
Qty.	Description
1	<p>Maximum particle size: 100 mm            Primary shaft seal: SIC/SIC            Max. hydraulic efficiency: 48 %            Approvals on nameplate: EN12050-1            Curve tolerance: ISO9906:2012 3B2</p> <p>Materials:            Pump housing: EN 1561 EN-GJL-250            Impeller: Cast iron            EN 5.1301 EN-GJL-200</p> <p>Installation:            t max amb: 40 °C            Maximum operating pressure: 6 bar            Flange standard: DIN            Pump outlet: DN 100            Pressure rating: PN 10            Maximum installation depth: 20 m            Auto-coupling: 96090994</p> <p>Electrical data:            Power input - P1: 9 kW            Rated power - P2: 7.5 kW            Mains frequency: 50 Hz            Rated voltage: 3 x 380-415 V            Voltage tolerance: +6/-10 %            Max starts per. hour: 20            Rated current: 17.7-17.5 A            Rated current at 3/4 load: 13.4 A            Rated current at 1/2 load: 10.9 A            Starting current: 107 A            Rated current at no load: 7.4 A            Cos phi - power factor: 0.79            Cos phi - p.f. at no load: 0.12            Cos phi - p.f. at 3/4 load: 0.72            Cos phi - p.f. at 1/2 load: 0.61            Rated speed: 1455 rpm            Locked-rotor torque: 91 Nm            Breakdown torque: 141 Nm            Moment of inertia: 0.0692 kg m<sup>2</sup>            Motor efficiency at full load: 83.4 %            Motor efficiency at 3/4 load: 83.5 %            Motor efficiency at 1/2 load: 81.3 %            Number of poles: 4            Start. method: star/delta            Enclosure class (IEC 34-5): IP68            Insulation class (IEC 85): F            Explosion proof: yes            Ex-protection standard: Ex db eb h mb IIB T4, T3 Gb            Length of cable: 10 m            Cable type: LYNIFLEX            Type of cable plug: No plug</p> <p>Others:            Net weight: 214 kg            Gross weight: 235 kg            Danish VVS No.: 391289666</p>



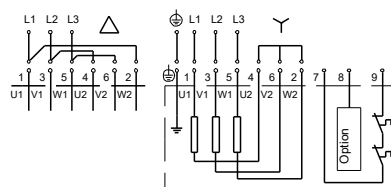
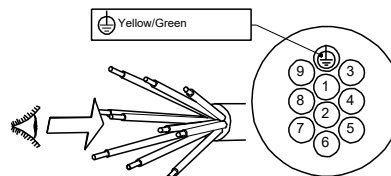
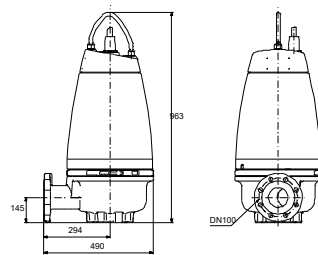
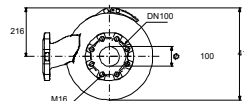
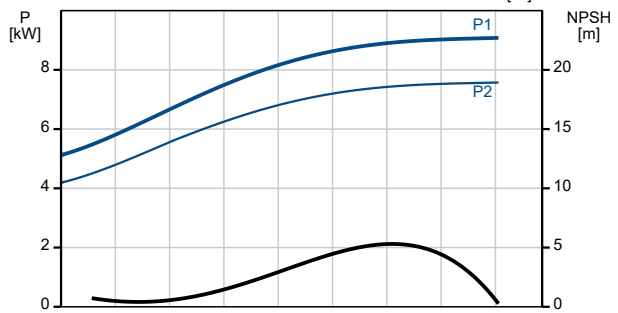
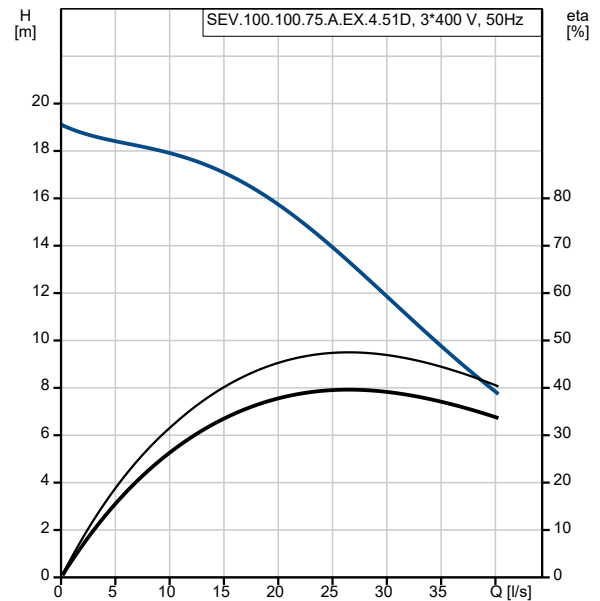
Company name: Pump Sales Direct  
Created by:  
Phone:

Date: 11/08/2022

### 96177716 SEV.100.100.75.A.EX.4.51D 50 Hz



Description	Value
<b>General information:</b>	
Product name:	SEV.100.100.75.A.EX.4.51D
Product No:	96177716
EAN number:	5700830443620
<b>Technical:</b>	
Max flow:	40.3 l/s
Max flow:	40.3 l/s
Head max:	19.1 m
Type of impeller:	SUPER VORTEX
Maximum particle size:	100 mm
Primary shaft seal:	SIC/SIC
Max. hydraulic efficiency:	48 %
Approvals on nameplate:	EN12050-1
Curve tolerance:	ISO9906:2012 3B2
Cooling jacket:	with cooling jacket
<b>Materials:</b>	
Pump housing:	EN 1561 EN-GJL-250
Impeller:	Cast iron
Impeller:	EN 5.1301 EN-GJL-200
<b>Installation:</b>	
t max amb:	40 °C
Maximum operating pressure:	6 bar
Flange standard:	DIN
Pump outlet:	DN 100
Pressure rating:	PN 10
Maximum installation depth:	20 m
Inst dry/wet:	DRY/SUBMERGED
Installation:	horizontal or vertical
Auto-coupling:	96090994
<b>Liquid:</b>	
Liquid temperature range:	0 .. 40 °C
Density:	998.2 kg/m <sup>3</sup>
<b>Electrical data:</b>	
Power input - P1:	9 kW
Rated power - P2:	7.5 kW
Mains frequency:	50 Hz
Rated voltage:	3 x 380-415 V
Voltage tolerance:	+6/-10 %
Max starts per. hour:	20
Rated current:	17.7-17.5 A
Rated current at 3/4 load:	13.4 A
Rated current at 1/2 load:	10.9 A
Starting current:	107 A
Rated current at no load:	7.4 A
Cos phi - power factor:	0.79
Cos phi - p.f. at no load:	0.12
Cos phi - p.f. at 3/4 load:	0.72
Cos phi - p.f. at 1/2 load:	0.61
Rated speed:	1455 rpm
Locked-rotor torque:	91 Nm
Breakdown torque:	141 Nm
Moment of inertia:	0.0692 kg m <sup>2</sup>
Motor efficiency at full load:	83.4 %
Motor efficiency at 3/4 load:	83.5 %
Motor efficiency at 1/2 load:	81.3 %
Number of poles:	4
Start. method:	star/delta
Enclosure class (IEC 34-5):	IP68





Company name: Pump Sales Direct

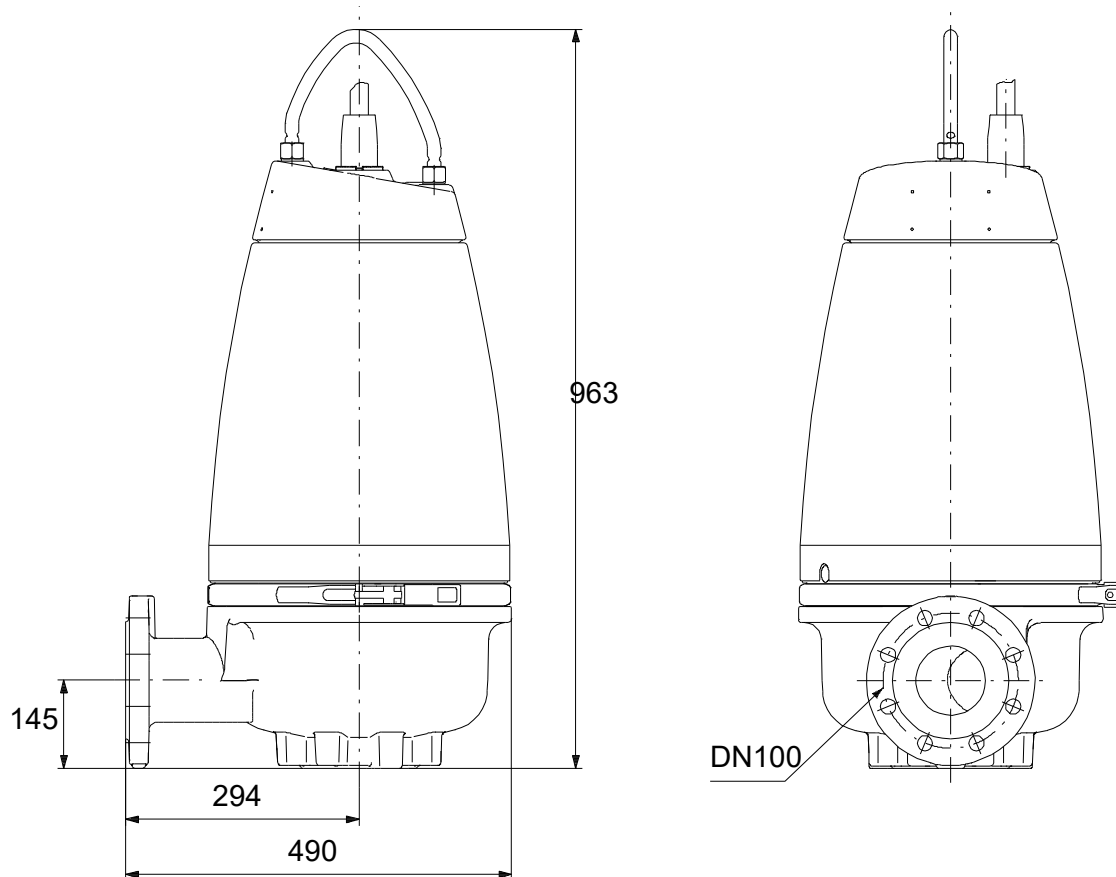
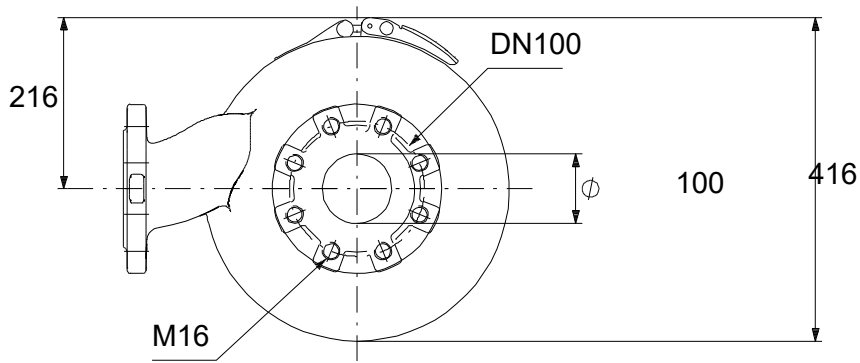
Created by:

Phone:

Date: 11/08/2022

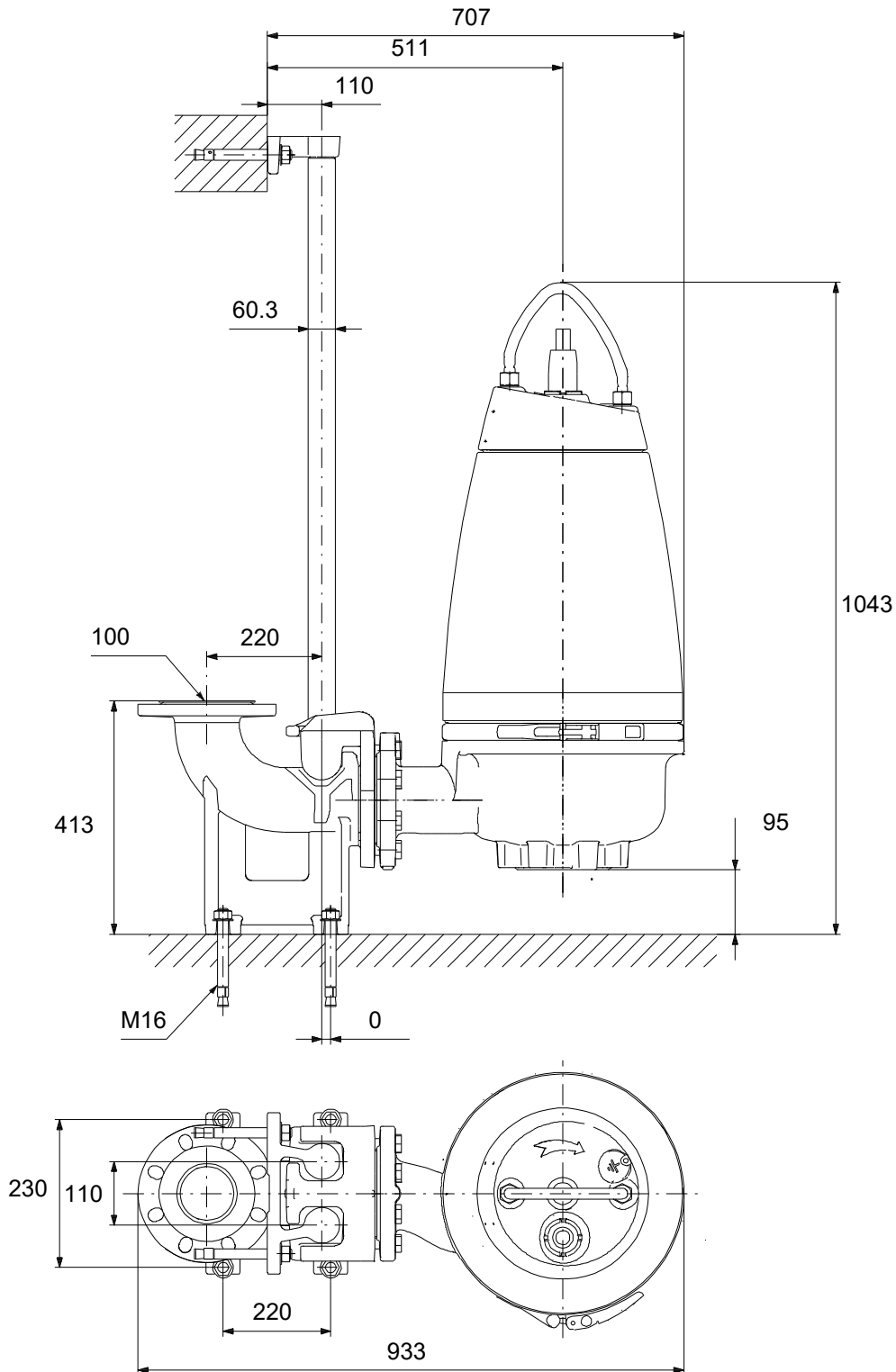
Description	Value
Insulation class (IEC 85):	F
Explosion proof:	yes
Ex-protection standard:	Ex db eb h mb IIB T4, T3 Gb
Built-in motor protection:	THERMAL SWITCH
Thermal protec:	internal
Length of cable:	10 m
Cable type:	LYNIFLEX
Type of cable plug:	No plug
<b>Controls:</b>	
Control box:	not included
Moisture sensor:	with moisture sensors
Water-in-oil sensor:	with water-in-oil sensor
Temp. sensor:	Y
<b>Others:</b>	
Net weight:	214 kg
Gross weight:	235 kg
Danish VVS No.:	391289666

## 96177716 SEV.100.100.75.A.EX.4.51D 50 Hz



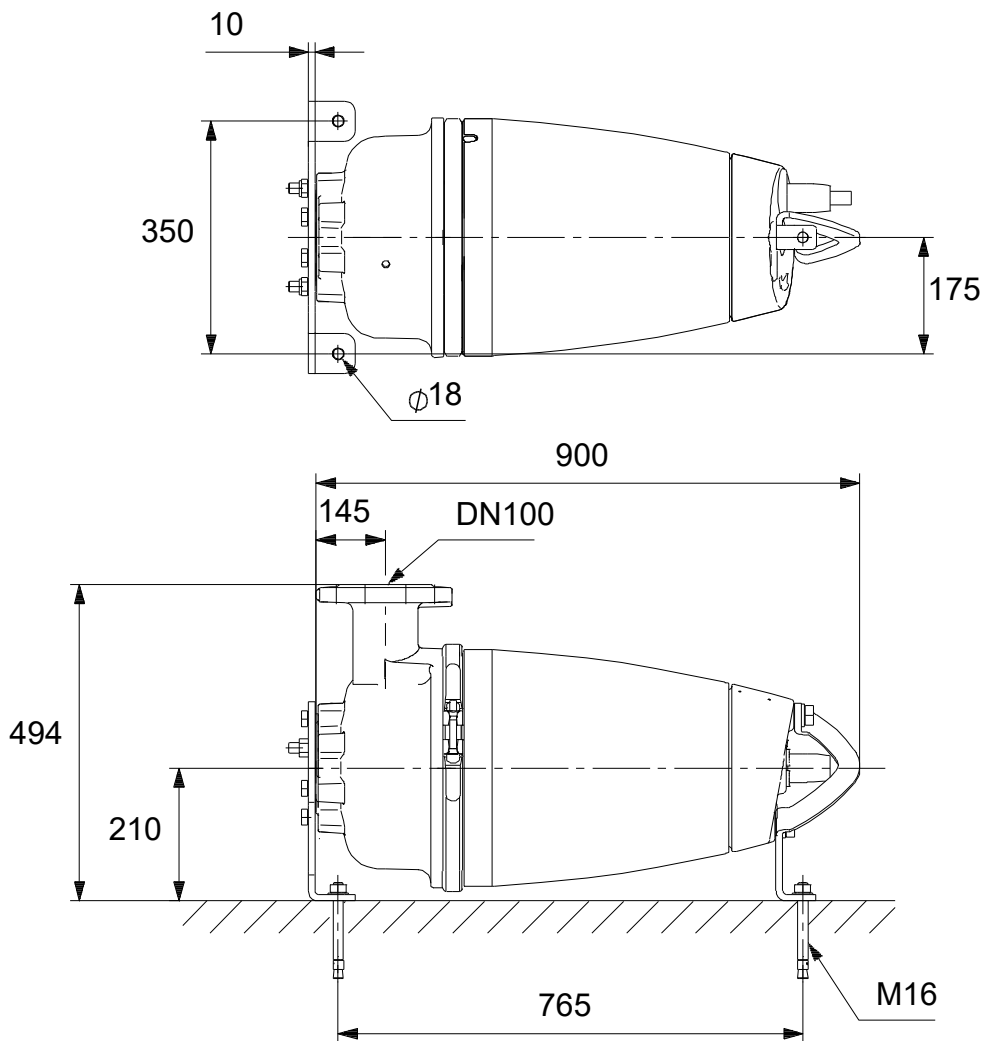
Note! All units are in [mm] unless others are stated.  
Disclaimer: This simplified dimensional drawing does not show all details.

## 96177716 SEV.100.100.75.A.EX.4.51D 50 Hz



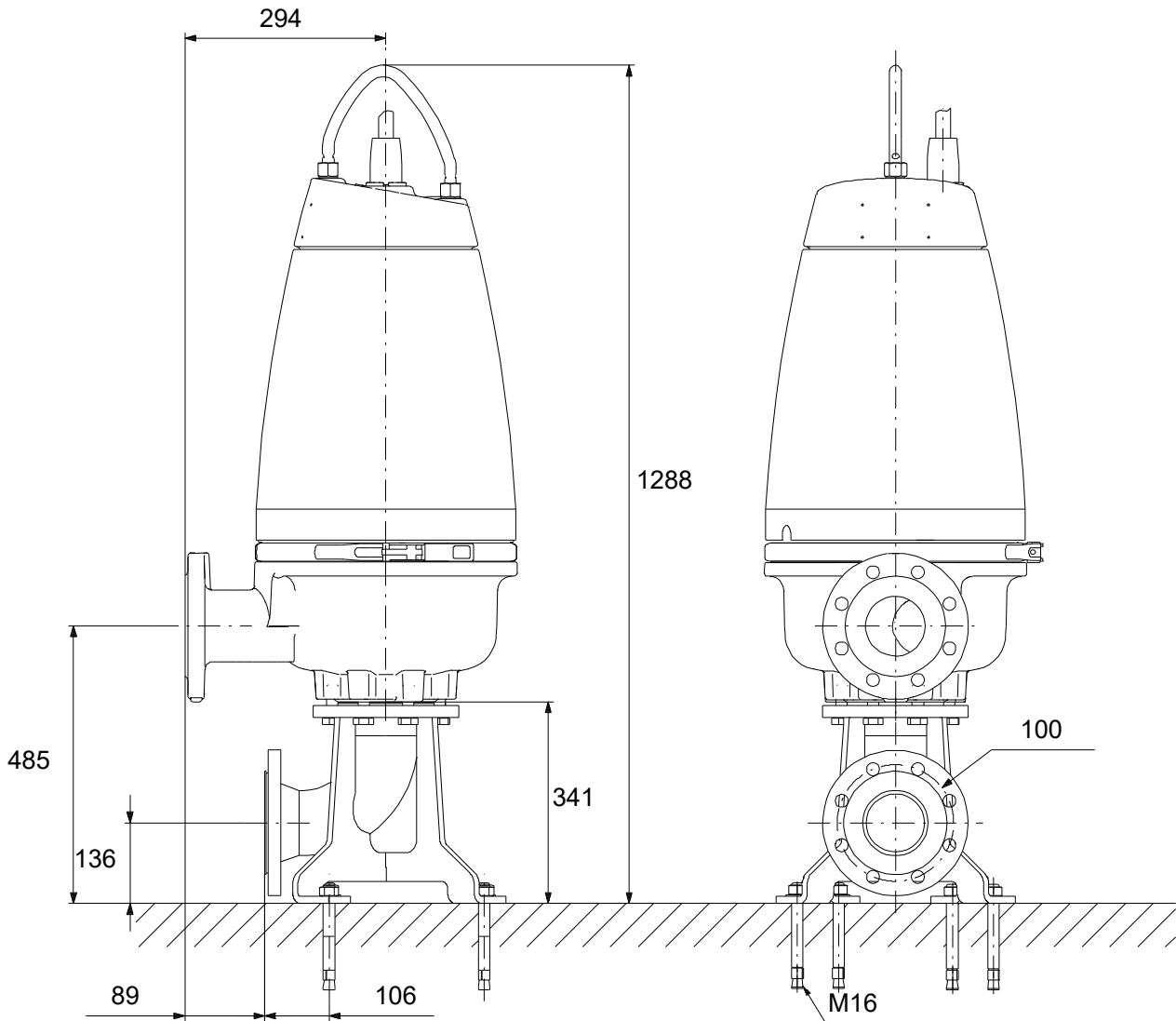
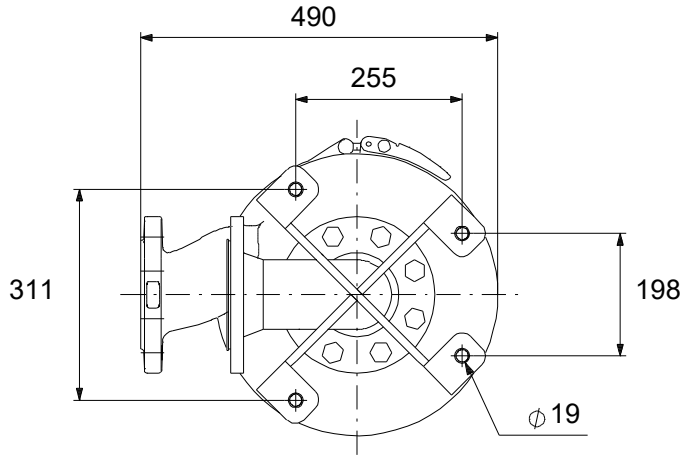
Note! All units are in [mm] unless others are stated.  
Disclaimer: This simplified dimensional drawing does not show all details.

## 96177716 SEV.100.100.75.A.EX.4.51D 50 Hz



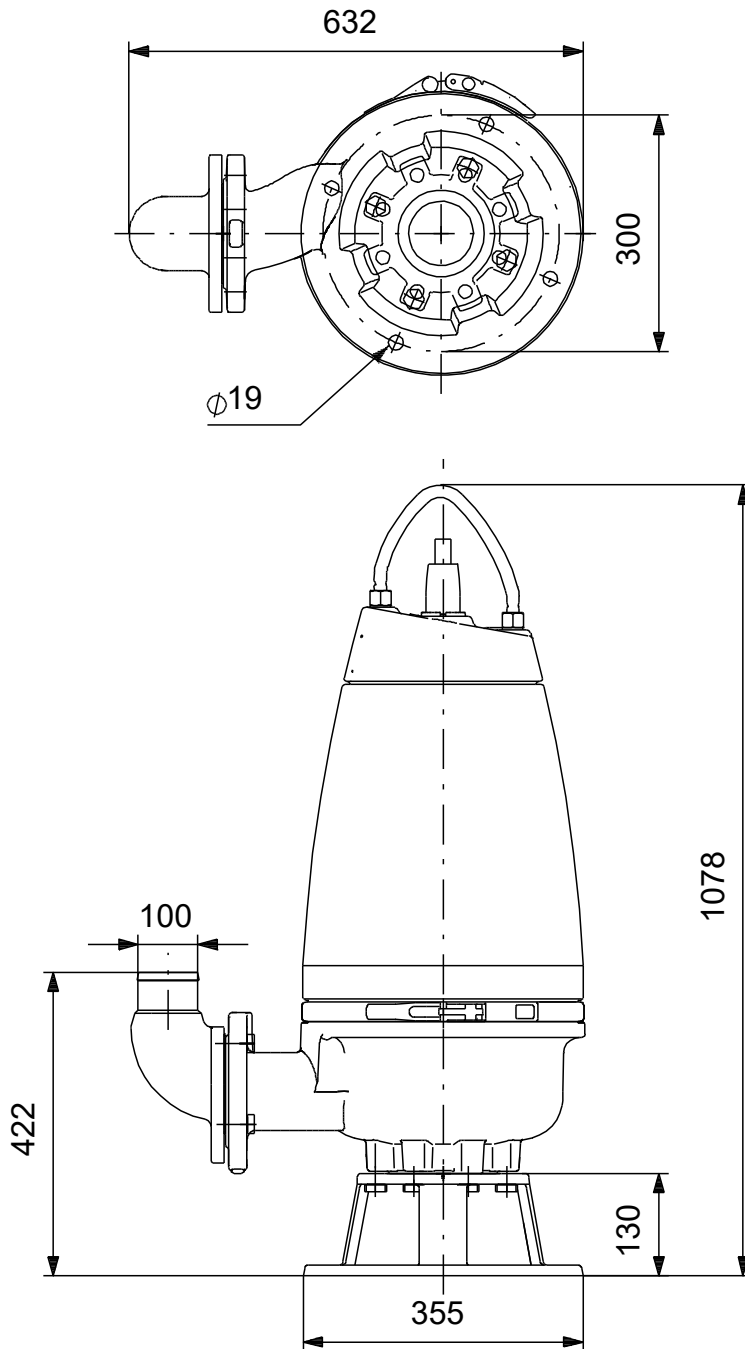
Note! All units are in [mm] unless others are stated.  
Disclaimer: This simplified dimensional drawing does not show all details.

## 96177716 SEV.100.100.75.A.EX.4.51D 50 Hz



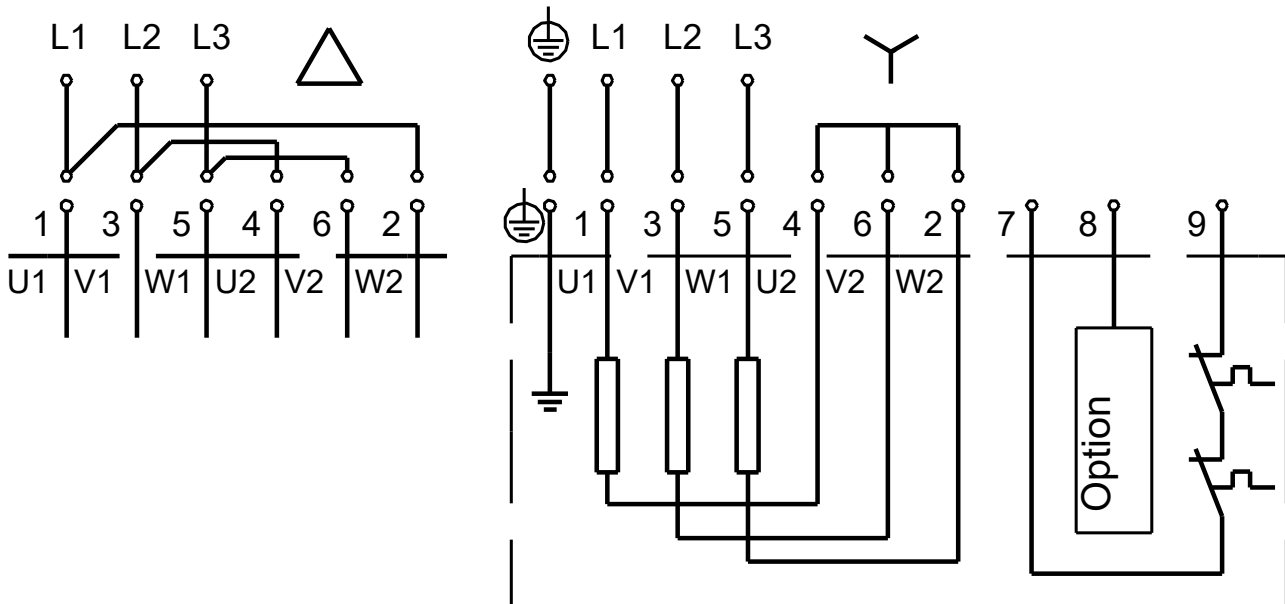
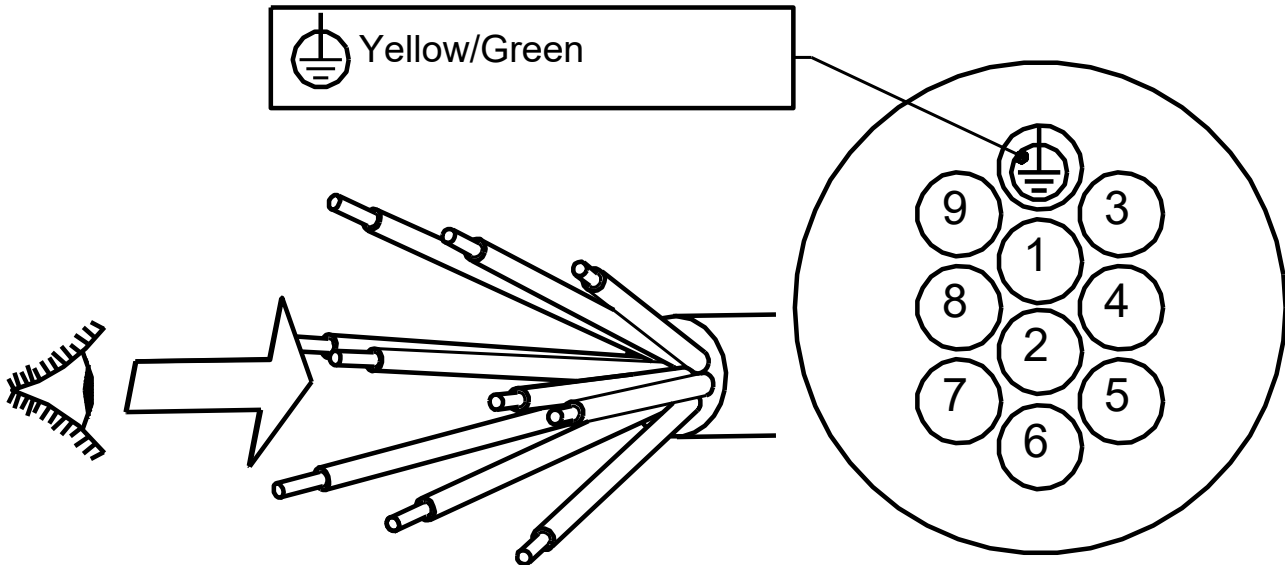
Note! All units are in [mm] unless others are stated.  
Disclaimer: This simplified dimensional drawing does not show all details.

## 96177716 SEV.100.100.75.A.EX.4.51D 50 Hz



Note! All units are in [mm] unless others are stated.  
Disclaimer: This simplified dimensional drawing does not show all details.

## 96177716 SEV.100.100.75.A.EX.4.51D 50 Hz



Note! All units are in [mm] unless others are stated.

