


Count	Description
1	<p data-bbox="225 338 432 367">UNILIFT CC7 - M1</p> <div data-bbox="236 376 603 698">  </div> <p data-bbox="619 685 1070 707">Product photo could vary from the actual product</p> <p data-bbox="225 719 491 741">Product No.: 96280979</p> <p data-bbox="225 775 1430 826">Grundfos Unilift CC pumps are single-stage submersible pumps with a low suction ability down to 3 mm water level.</p> <p data-bbox="225 835 1094 864">The pumps are designed for pumping rainwater and grey wastewater, e.g. from</p> <ul data-bbox="225 864 1190 1010" style="list-style-type: none"> • washing machines, baths, sinks, etc. from low-lying parts of buildings up to sewer level • cellars or buildings prone to flooding • draining wells • wells for surface water with inlets from roof gutters, pits, tunnels, etc. • swimming pools, ponds or fountains. <p data-bbox="225 1043 890 1072">The pumps are suitable for both stationary and portable use.</p> <p data-bbox="225 1072 564 1102">They are for manual operation.</p> <p data-bbox="225 1102 858 1131">The pumps allow free passage of particles up to $\varnothing 10$ mm.</p> <p data-bbox="225 1164 1270 1193">The motor incorporates automatic overload protection cutting out the motor in case of overload.</p> <p data-bbox="225 1193 987 1223">When cooled to normal temperature, the motor restarts automatically.</p> <p data-bbox="225 1252 349 1281">Technical:</p> <p data-bbox="225 1281 651 1310">Maximum particle size: 3/8 in</p> <p data-bbox="225 1341 344 1370">Materials:</p> <p data-bbox="225 1370 699 1400">Pump housing: PP 15 GF</p> <p data-bbox="225 1400 738 1429">Impeller: PPOm 20 GF</p> <p data-bbox="225 1460 368 1489">Installation:</p> <p data-bbox="225 1489 671 1518">Pump outlet: R 1 1/4</p> <p data-bbox="225 1518 660 1547">Maximum installation depth: 32.8 ft</p> <p data-bbox="225 1579 312 1608">Liquid:</p> <p data-bbox="225 1608 772 1637">Pumped liquid: any viscous fluid</p> <p data-bbox="225 1637 719 1666">Liquid temperature range: 32 .. 104 °F</p> <p data-bbox="225 1666 708 1695">Density: 62.29 lb/ft³</p> <p data-bbox="225 1727 403 1756">Electrical data:</p> <p data-bbox="225 1756 655 1785">Main frequency: 50 Hz</p> <p data-bbox="225 1785 746 1814">Rated voltage: 1 x 220-240 V</p> <p data-bbox="225 1814 651 1843">Rated current: 1.8 A</p> <p data-bbox="225 1843 711 1872">Capacitor size - run: 8 μF/450 V</p> <p data-bbox="225 1872 643 1901">Enclosure class (IEC 34-5): IP68</p> <p data-bbox="225 1901 504 1930">Insulation class (IEC 85): F</p> <p data-bbox="225 1930 660 1960">Length of cable: 32.8 ft</p> <p data-bbox="225 1960 624 1989">Type of cable plug: GB</p> <p data-bbox="225 2020 316 2049">Others:</p> <p data-bbox="225 2049 644 2078">Net weight: 11 lb</p> <p data-bbox="225 2078 665 2107">Gross weight: 12.7 lb</p>



Company name:

Created by:

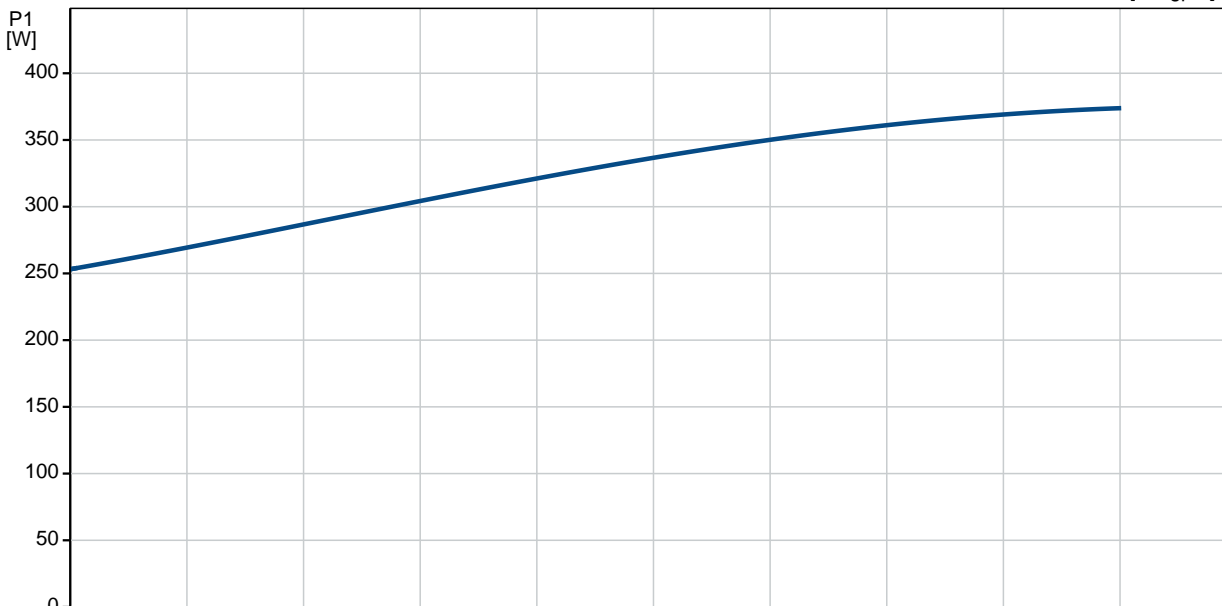
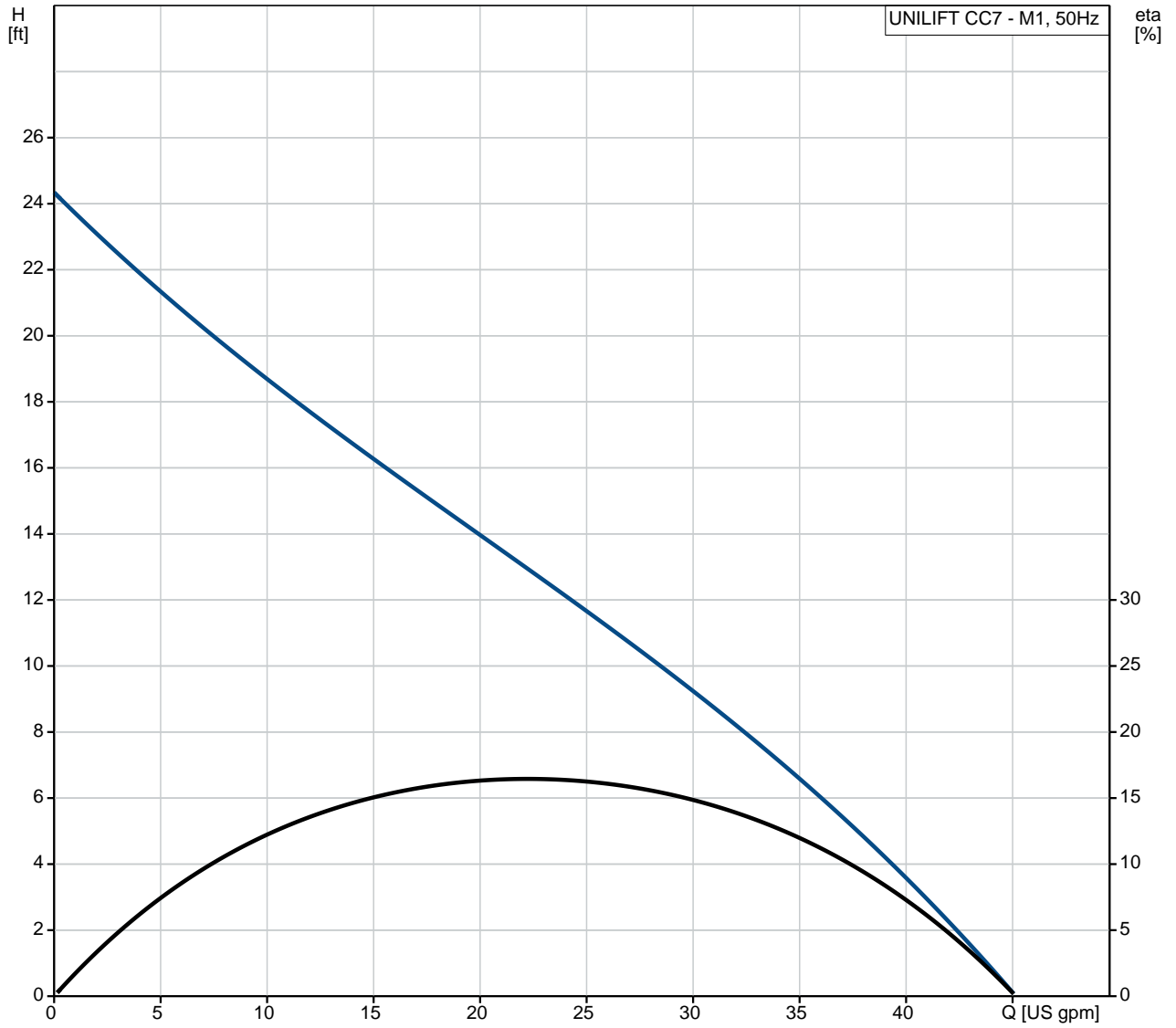
Phone:

Date:

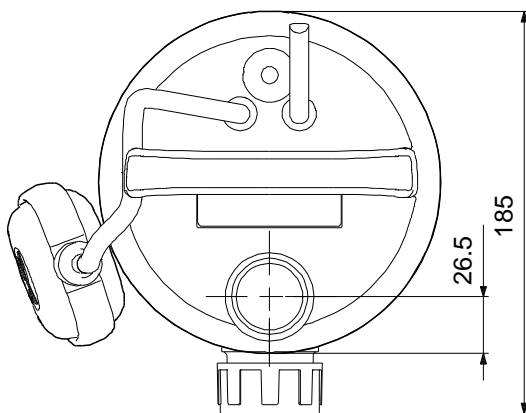
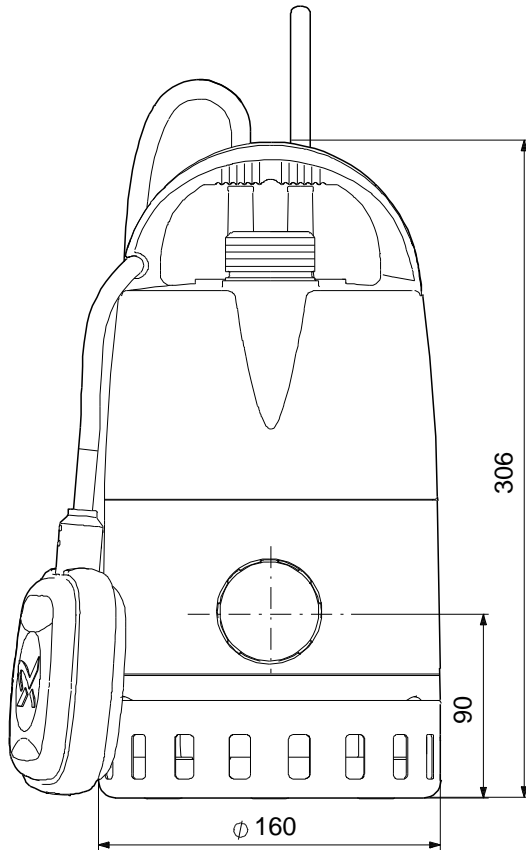
6/14/2019

Count	Description
	Shipping volume: 0.6 ft ³

96280979 UNILIFT CC7 - M1 50 Hz



96280979 UNILIFT CC7 - M1 50 Hz



Note! All units are in [in] unless otherwise stated.
Disclaimer: This simplified dimensional drawing does not show all details.