
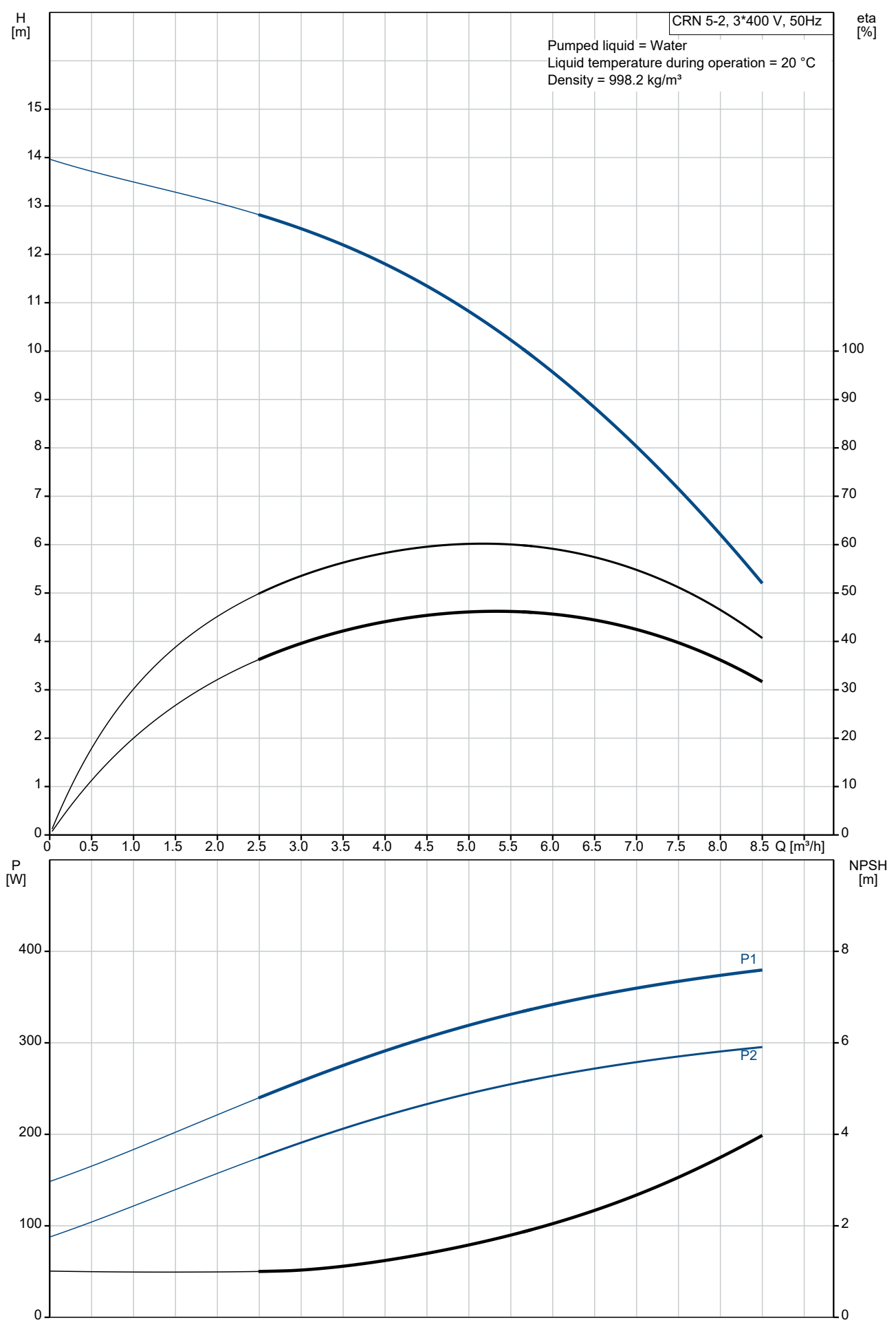


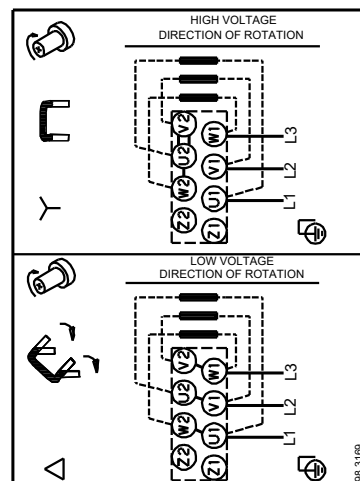
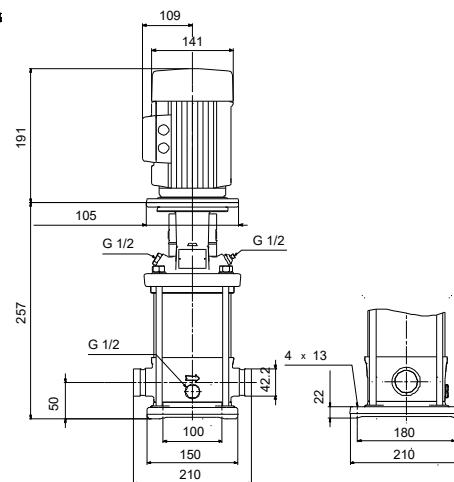
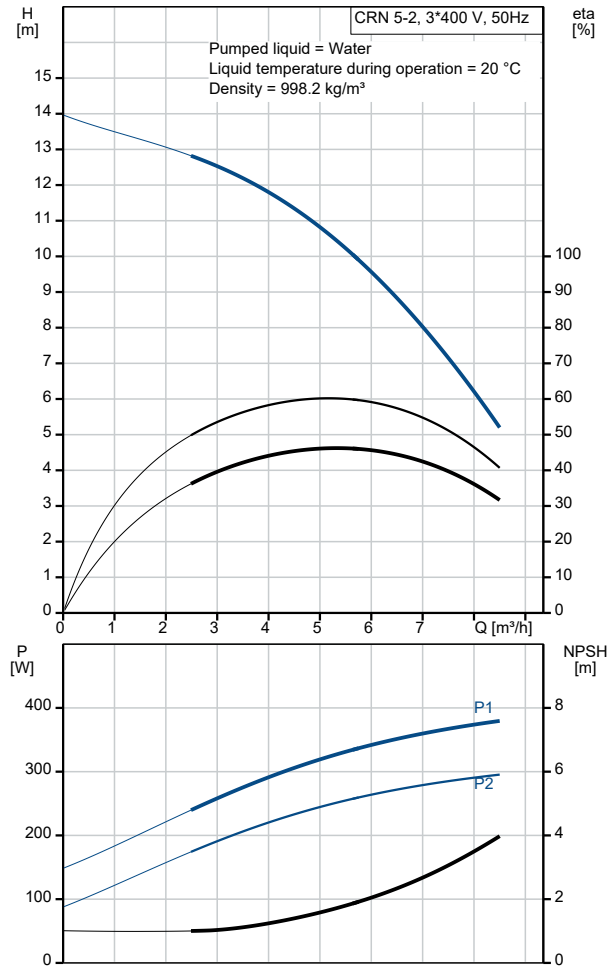
Qty.	Description
1	<p data-bbox="199 159 475 188"><b>CRN 5-2 A-P-A-E-HQQE</b></p>  <p data-bbox="592 506 1062 528"><b>Note! Product picture may differ from actual product</b></p> <p data-bbox="199 539 480 562">Product No.: On request</p> <p data-bbox="199 600 1455 674">Vertical, multistage centrifugal pump with inlet and outlet ports on same the level (inline). Pump materials in contact with the liquid are in high-grade stainless steel. A cartridge shaft seal ensures high reliability, safe handling, and easy access and service. Power transmission is via a rigid split coupling. Pipe connection is via PJE (Victaulic®) couplings.</p> <p data-bbox="199 712 916 734">The pump is fitted with a 3-phase, fan-cooled asynchronous motor.</p> <p data-bbox="199 772 277 795">Liquid:</p> <p data-bbox="199 801 703 913"> Pumped liquid: Water  Liquid temperature range: -20 .. 120 °C  Selected liquid temperature: 20 °C  Density: 998.2 kg/m<sup>3</sup> </p> <p data-bbox="199 952 316 974">Technical:</p> <p data-bbox="199 981 820 1243"> Pump speed on which pump data are based: 2873 rpm  Rated flow: 5.8 m<sup>3</sup>/h  Rated head: 9 m  Pump orientation: Vertical  Shaft seal arrangement: Single  Code for shaft seal: HQQE  Approvals: CE,EAC,UKCA,SEPRO  Approvals for drinking water: WRAS,ACS  Curve tolerance: ISO9906:2012 3B </p> <p data-bbox="199 1281 309 1303">Materials:</p> <p data-bbox="199 1310 724 1512"> Base: Stainless steel  EN 1.4408  AISI 316  Impeller: Stainless steel  EN 1.4401  AISI 316  Bearing: SIC </p> <p data-bbox="199 1550 325 1572">Installation:</p> <p data-bbox="199 1579 730 1691"> t max amb: 60 °C  Maximum operating pressure: 25 bar  Max pressure at stated temp: 25 bar / 120 °C  25 bar / -20 °C </p> <p data-bbox="199 1697 533 1841"> Type of connection: PJE  Size of inlet connection: DN 32  Size of outlet connection: DN 32  Pressure rating for connection: PN 50  Flange size for motor: FT85 </p> <p data-bbox="199 1877 363 1899">Electrical data:</p> <p data-bbox="199 1906 847 2107"> Motor standard: IEC  Motor type: 71A  IE Efficiency class: IE3  Rated power - P2: 0.37 kW  Power (P2) required by pump: 0.37 kW  Mains frequency: 50 Hz  Rated voltage: 3 x 220-240D/380-415Y V </p>

Qty.	Description
1	<p>Rated current: 1.74/1.00 A  Starting current: 490-530 %  Cos phi - power factor: 0.80-0.70  Rated speed: 2850-2880 rpm  Efficiency: IE3 73,8%  Motor efficiency at full load: 73.8 %  Motor efficiency at 3/4 load: 79.0 %  Motor efficiency at 1/2 load: 75.5 %  Number of poles: 2  Enclosure class (IEC 34-5): 55 Dust/Jetting  Insulation class (IEC 85): F  Motor No: 85805102</p> <p>Controls:  Frequency converter: NONE</p> <p>Others:  Minimum efficiency index, MEI ≥: 0.57  Net weight: 16.5 kg  Gross weight: 19.2 kg  Shipping volume: 0.054 m<sup>3</sup>  Danish VVS No.: 385912002  Norwegian NRF no.: 9040472  Country of origin: GB  Custom tariff no.: 84137075</p>

# On request CRN 5-2 A-P-A-E-HQQE 50 Hz

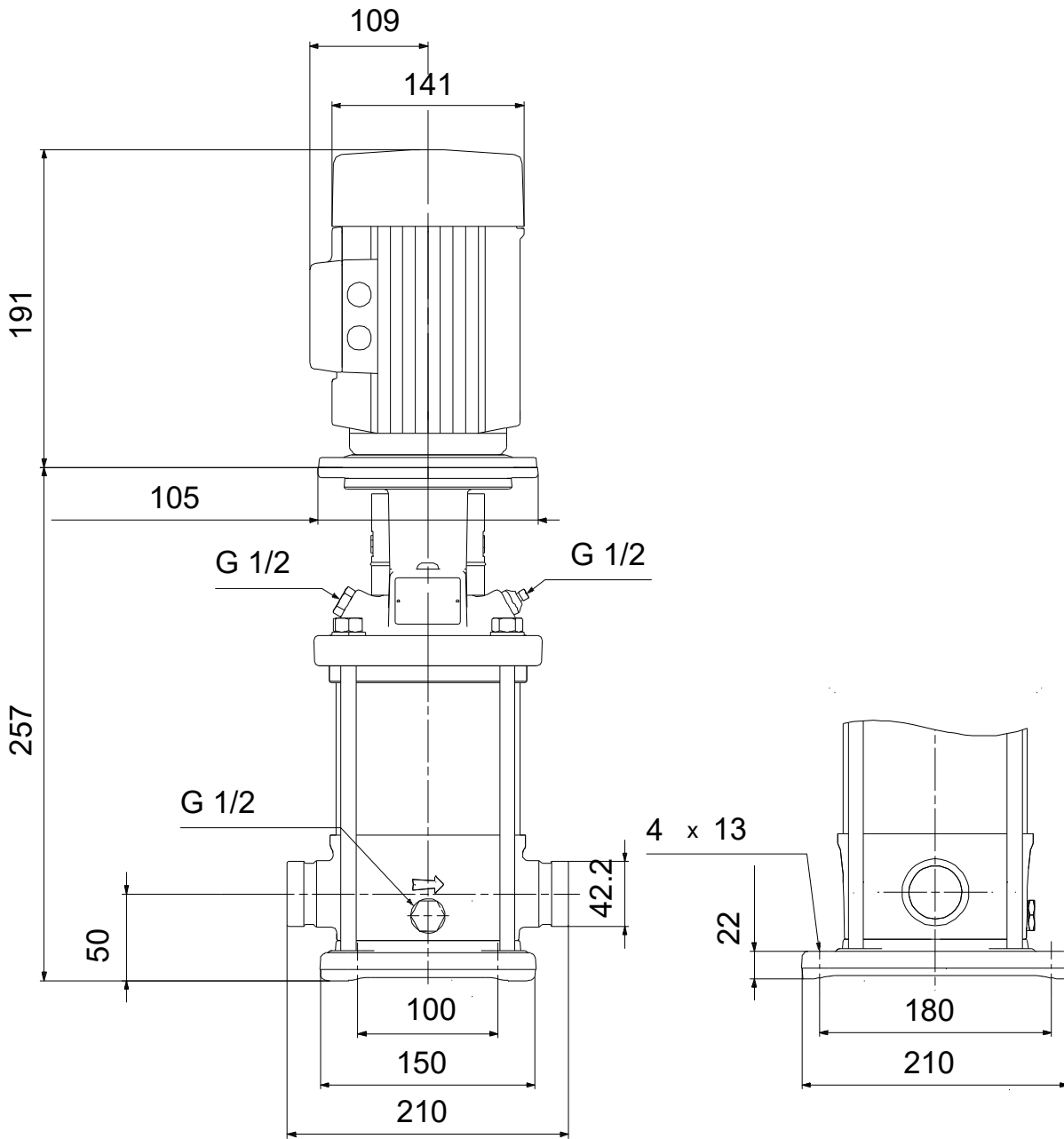


Description	Value
<b>General information:</b>	
Product name:	CRN 5-2 A-P-A-E-HQQE
Product No:	On request
EAN number:	On request
<b>Technical:</b>	
Pump speed on which pump data are based:	2873 rpm
Rated flow:	5.8 m <sup>3</sup> /h
Rated head:	9 m
Maximum head:	14.3 m
Stages:	2
Impellers:	2
Number of reduced-diameter impellers:	0
Low NPSH:	N
Pump orientation:	Vertical
Shaft seal arrangement:	Single
Code for shaft seal:	HQQE
Approvals:	CE,EAC,UKCA,SEPRO
Approvals for drinking water:	WRAS,ACS
Curve tolerance:	ISO9906:2012 3B
Pump version:	A
Model:	A
<b>Materials:</b>	
Base:	Stainless steel
Base:	EN 1.4408
Base:	AISI 316
Impeller:	Stainless steel
Impeller:	EN 1.4401
Impeller:	AISI 316
Material code:	A
Code for rubber:	E
Bearing:	SIC
<b>Installation:</b>	
t max amb:	60 °C
Maximum operating pressure:	25 bar
Max pressure at stated temp:	25 bar / 120 °C
Max pressure at stated temp:	25 bar / -20 °C
Type of connection:	PJE
Size of inlet connection:	DN 32
Size of outlet connection:	DN 32
Pressure rating for connection:	PN 50
Flange size for motor:	FT85
Connect code:	P
<b>Liquid:</b>	
Pumped liquid:	Water
Liquid temperature range:	-20 .. 120 °C
Selected liquid temperature:	20 °C
Density:	998.2 kg/m <sup>3</sup>
<b>Electrical data:</b>	
Motor standard:	IEC
Motor type:	71A
IE Efficiency class:	IE3
Rated power - P2:	0.37 kW
Power (P2) required by pump:	0.37 kW
Mains frequency:	50 Hz
Rated voltage:	3 x 220-240D/380-415Y V
Rated current:	1.74/1.00 A
Starting current:	490-530 %
Cos phi - power factor:	0.80-0.70
Rated speed:	2850-2880 rpm
Efficiency:	IE3 73,8%
Motor efficiency at full load:	73.8 %



Description	Value
Motor efficiency at 3/4 load:	79.0 %
Motor efficiency at 1/2 load:	75.5 %
Number of poles:	2
Enclosure class (IEC 34-5):	55 Dust/Jetting
Insulation class (IEC 85):	F
Built-in motor protection:	NONE
Motor No:	85805102
<b>Controls:</b>	
Frequency converter:	NONE
<b>Others:</b>	
Minimum efficiency index, MEI ≥:	0.57
Net weight:	16.5 kg
Gross weight:	19.2 kg
Shipping volume:	0.054 m <sup>3</sup>
Danish VVS No.:	385912002
Norwegian NRF no.:	9040472
Country of origin:	GB
Custom tariff no.:	84137075

**On request CRN 5-2 A-P-A-E-HQQE 50 Hz**



Note! All units are in [mm] unless others are stated.  
Disclaimer: This simplified dimensional drawing does not show all details.

On request CRN 5-2 A-P-A-E-HQQE 50 Hz



98.3169

Note! All units are in [mm] unless others are stated.

