
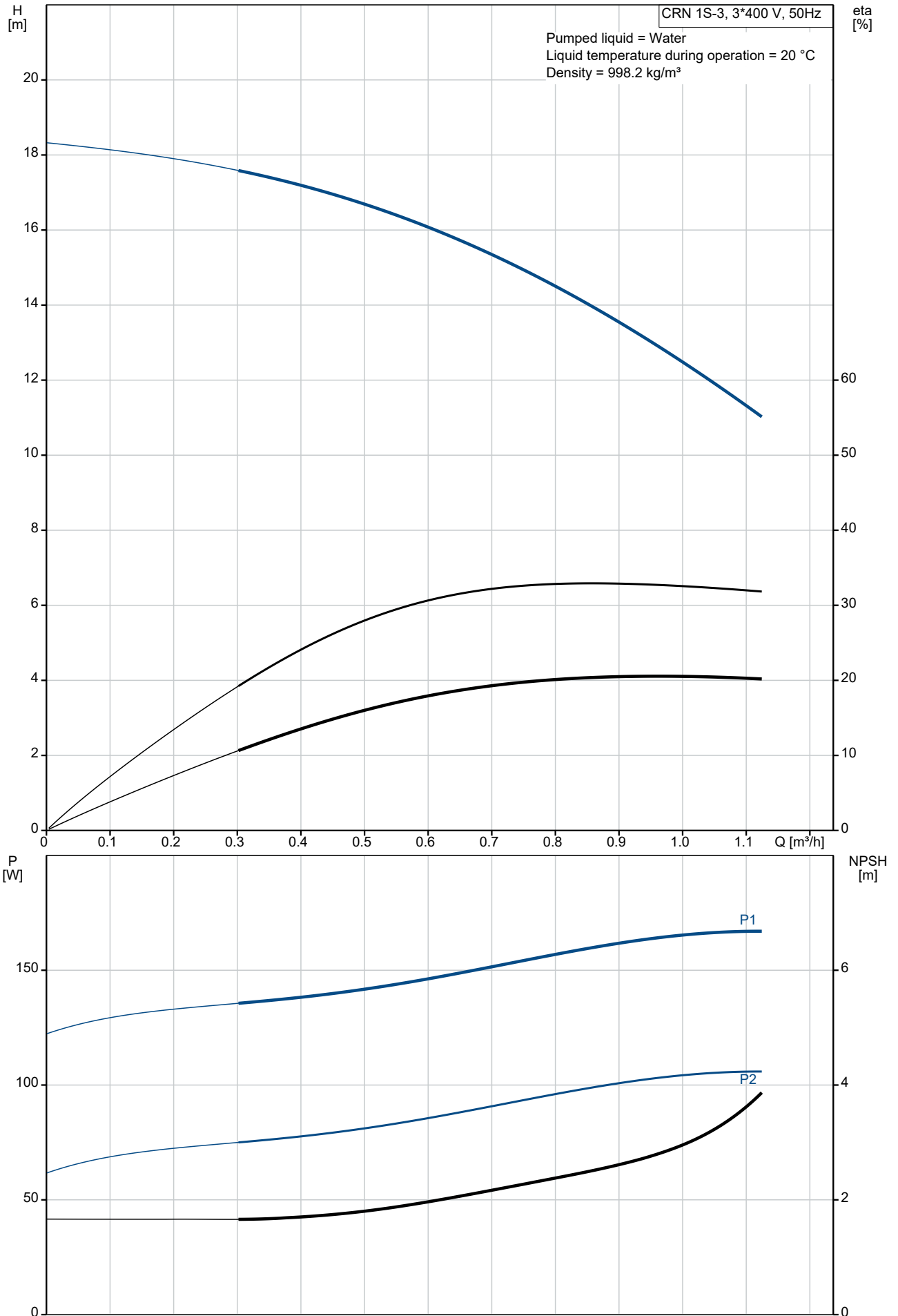


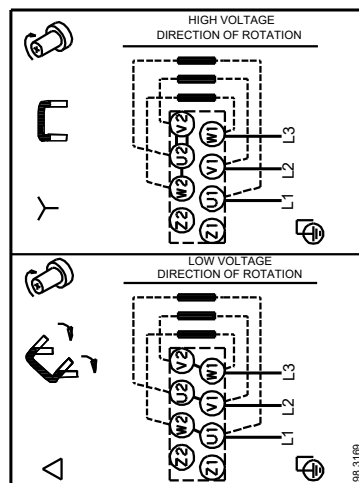
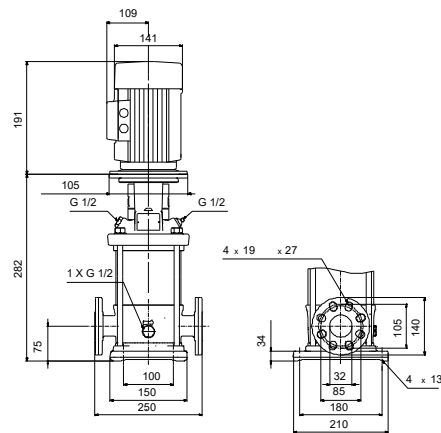
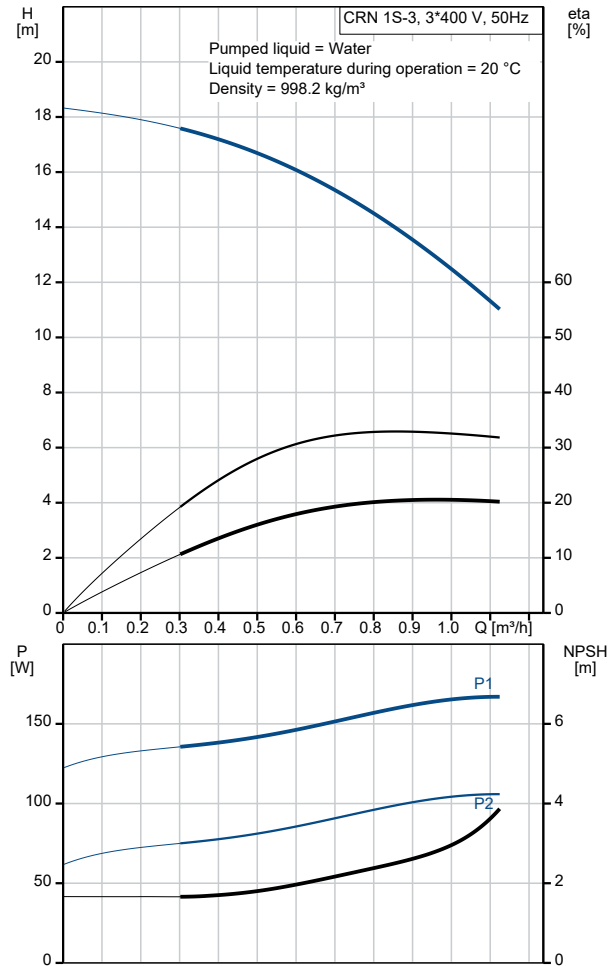
Qty.	Description																		
1	CRN 1S-3 A-FGJ-H-E-HQQE																		
																			
	<p>Note! Product picture may differ from actual product</p>																		
	<p>Product No.: On request</p>																		
	<p>Vertical, multistage centrifugal pump with inlet and outlet ports on same the level (inline). Pump materials in contact with the liquid are in high-grade stainless steel. Power transmission is via a rigid split coupling. Pipe connection is via combined DIN-ANSI-JIS flanges.</p>																		
	<p>The pump is fitted with a 3-phase, fan-cooled asynchronous motor.</p>																		
	<p>Liquid:</p>																		
	<table> <tr> <td>Pumped liquid:</td> <td>Water</td> </tr> <tr> <td>Liquid temperature range:</td> <td>-20 .. 120 °C</td> </tr> <tr> <td>Selected liquid temperature:</td> <td>20 °C</td> </tr> <tr> <td>Density:</td> <td>998.2 kg/m³</td> </tr> </table>	Pumped liquid:	Water	Liquid temperature range:	-20 .. 120 °C	Selected liquid temperature:	20 °C	Density:	998.2 kg/m ³										
Pumped liquid:	Water																		
Liquid temperature range:	-20 .. 120 °C																		
Selected liquid temperature:	20 °C																		
Density:	998.2 kg/m ³																		
	<p>Technical:</p>																		
	<table> <tr> <td>Pump speed on which pump data are based:</td> <td>2873 rpm</td> </tr> <tr> <td>Rated flow:</td> <td>0.9 m³/h</td> </tr> <tr> <td>Rated head:</td> <td>12.8 m</td> </tr> <tr> <td>Pump orientation:</td> <td>Vertical</td> </tr> <tr> <td>Shaft seal arrangement:</td> <td>Single</td> </tr> <tr> <td>Code for shaft seal:</td> <td>HQQE</td> </tr> <tr> <td>Approvals:</td> <td>CE,EAC,UKCA,SEPRO</td> </tr> <tr> <td>Approvals for drinking water:</td> <td>WRAS,ACS</td> </tr> <tr> <td>Curve tolerance:</td> <td>ISO9906:2012 3B</td> </tr> </table>	Pump speed on which pump data are based:	2873 rpm	Rated flow:	0.9 m ³ /h	Rated head:	12.8 m	Pump orientation:	Vertical	Shaft seal arrangement:	Single	Code for shaft seal:	HQQE	Approvals:	CE,EAC,UKCA,SEPRO	Approvals for drinking water:	WRAS,ACS	Curve tolerance:	ISO9906:2012 3B
Pump speed on which pump data are based:	2873 rpm																		
Rated flow:	0.9 m ³ /h																		
Rated head:	12.8 m																		
Pump orientation:	Vertical																		
Shaft seal arrangement:	Single																		
Code for shaft seal:	HQQE																		
Approvals:	CE,EAC,UKCA,SEPRO																		
Approvals for drinking water:	WRAS,ACS																		
Curve tolerance:	ISO9906:2012 3B																		
	<p>Materials:</p>																		
	<table> <tr> <td>Base:</td> <td>Stainless steel EN 1.4408 AISI 316</td> </tr> <tr> <td>Impeller:</td> <td>Stainless steel EN 1.4401 AISI 316</td> </tr> <tr> <td>Bearing:</td> <td>SIC</td> </tr> </table>	Base:	Stainless steel EN 1.4408 AISI 316	Impeller:	Stainless steel EN 1.4401 AISI 316	Bearing:	SIC												
Base:	Stainless steel EN 1.4408 AISI 316																		
Impeller:	Stainless steel EN 1.4401 AISI 316																		
Bearing:	SIC																		
	<p>Installation:</p>																		
	<table> <tr> <td>t max amb:</td> <td>60 °C</td> </tr> <tr> <td>Maximum operating pressure:</td> <td>25 bar</td> </tr> <tr> <td>Max pressure at stated temp:</td> <td>25 bar / 120 °C 25 bar / -20 °C</td> </tr> <tr> <td>Type of connection:</td> <td>DIN / ANSI / JIS</td> </tr> <tr> <td>Size of inlet connection:</td> <td>DN 25/32</td> </tr> <tr> <td>Size of outlet connection:</td> <td>DN 25/32</td> </tr> <tr> <td>Pressure rating for connection:</td> <td>PN 25</td> </tr> <tr> <td>Flange rating inlet:</td> <td>300 lb</td> </tr> <tr> <td>Flange size for motor:</td> <td>FT85</td> </tr> </table>	t max amb:	60 °C	Maximum operating pressure:	25 bar	Max pressure at stated temp:	25 bar / 120 °C 25 bar / -20 °C	Type of connection:	DIN / ANSI / JIS	Size of inlet connection:	DN 25/32	Size of outlet connection:	DN 25/32	Pressure rating for connection:	PN 25	Flange rating inlet:	300 lb	Flange size for motor:	FT85
t max amb:	60 °C																		
Maximum operating pressure:	25 bar																		
Max pressure at stated temp:	25 bar / 120 °C 25 bar / -20 °C																		
Type of connection:	DIN / ANSI / JIS																		
Size of inlet connection:	DN 25/32																		
Size of outlet connection:	DN 25/32																		
Pressure rating for connection:	PN 25																		
Flange rating inlet:	300 lb																		
Flange size for motor:	FT85																		
	<p>Electrical data:</p>																		
	<table> <tr> <td>Motor standard:</td> <td>IEC</td> </tr> <tr> <td>Motor type:</td> <td>71A</td> </tr> <tr> <td>IE Efficiency class:</td> <td>IE3</td> </tr> <tr> <td>Rated power - P2:</td> <td>0.37 kW</td> </tr> <tr> <td>Power (P2) required by pump:</td> <td>0.37 kW</td> </tr> <tr> <td>Mains frequency:</td> <td>50 Hz</td> </tr> <tr> <td>Rated voltage:</td> <td>3 x 220-240D/380-415Y V</td> </tr> </table>	Motor standard:	IEC	Motor type:	71A	IE Efficiency class:	IE3	Rated power - P2:	0.37 kW	Power (P2) required by pump:	0.37 kW	Mains frequency:	50 Hz	Rated voltage:	3 x 220-240D/380-415Y V				
Motor standard:	IEC																		
Motor type:	71A																		
IE Efficiency class:	IE3																		
Rated power - P2:	0.37 kW																		
Power (P2) required by pump:	0.37 kW																		
Mains frequency:	50 Hz																		
Rated voltage:	3 x 220-240D/380-415Y V																		

Qty.	Description
1	<p>Rated current: 1.74/1.00 A Starting current: 490-530 % Cos phi - power factor: 0.80-0.70 Rated speed: 2850-2880 rpm Efficiency: IE3 73,8% Motor efficiency at full load: 73.8 % Motor efficiency at 3/4 load: 79.0 % Motor efficiency at 1/2 load: 75.5 % Number of poles: 2 Enclosure class (IEC 34-5): 55 Dust/Jetting Insulation class (IEC 85): F Motor No: 85805102</p> <p>Controls: Frequency converter: NONE</p> <p>Others: Minimum efficiency index, MEI ≥: 0.54 Net weight: 19 kg Gross weight: 21.7 kg Shipping volume: 0.054 m³ Country of origin: GB Custom tariff no.: 84137075</p>

On request CRN 1S-3 A-FGJ-H-E-HQQE 50 Hz

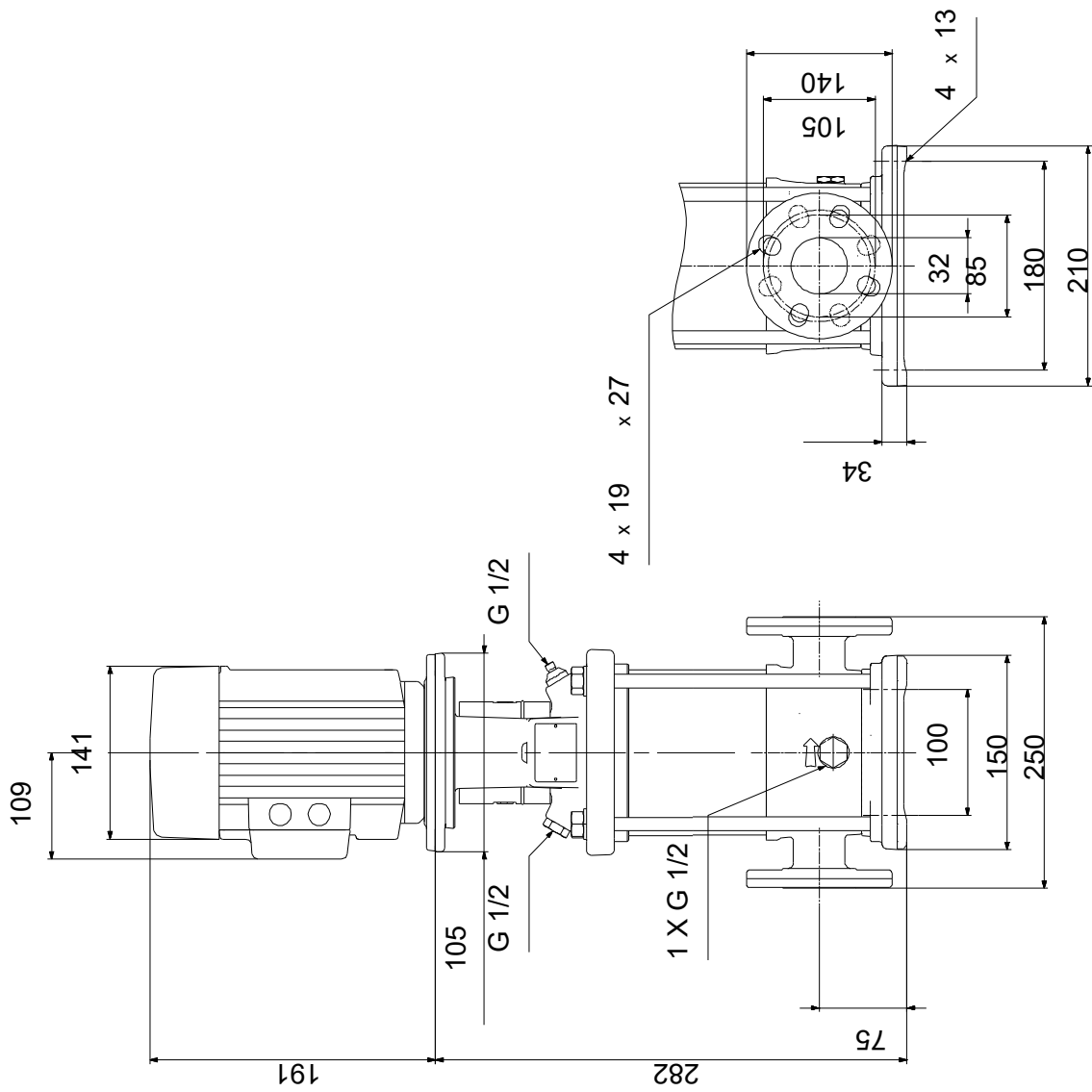


Description	Value
General information:	
Product name:	CRN 1S-3 A-FGJ-H-E-HQQE
Product No:	On request
EAN number:	On request
Technical:	
Pump speed on which pump data are based:	2873 rpm
Rated flow:	0.9 m ³ /h
Rated head:	12.8 m
Maximum head:	18.2 m
Stages:	3
Impellers:	3
Number of reduced-diameter impellers:	0
Low NPSH:	N
Pump orientation:	Vertical
Shaft seal arrangement:	Single
Code for shaft seal:	HQQE
Approvals:	CE,EAC,UKCA,SEPRO
Approvals for drinking water:	WRAS,ACS
Curve tolerance:	ISO9906:2012 3B
Pump version:	A
Model:	A
Materials:	
Base:	Stainless steel
Base:	EN 1.4408
Base:	AISI 316
Impeller:	Stainless steel
Impeller:	EN 1.4401
Impeller:	AISI 316
Material code:	H
Code for rubber:	E
Bearing:	SIC
Installation:	
t max amb:	60 °C
Maximum operating pressure:	25 bar
Max pressure at stated temp:	25 bar / 120 °C
Max pressure at stated temp:	25 bar / -20 °C
Type of connection:	DIN / ANSI / JIS
Size of inlet connection:	DN 25/32
Size of outlet connection:	DN 25/32
Pressure rating for connection:	PN 25
Flange rating inlet:	300 lb
Flange size for motor:	FT85
Connect code:	FGJ
Liquid:	
Pumped liquid:	Water
Liquid temperature range:	-20 .. 120 °C
Selected liquid temperature:	20 °C
Density:	998.2 kg/m ³
Electrical data:	
Motor standard:	IEC
Motor type:	71A
IE Efficiency class:	IE3
Rated power - P2:	0.37 kW
Power (P2) required by pump:	0.37 kW
Mains frequency:	50 Hz
Rated voltage:	3 x 220-240D/380-415Y V
Rated current:	1.74/1.00 A
Starting current:	490-530 %
Cos phi - power factor:	0.80-0.70
Rated speed:	2850-2880 rpm
Efficiency:	IE3 73,8%
Motor efficiency at full load:	73.8 %



Description	Value
Motor efficiency at 3/4 load:	79.0 %
Motor efficiency at 1/2 load:	75.5 %
Number of poles:	2
Enclosure class (IEC 34-5):	55 Dust/Jetting
Insulation class (IEC 85):	F
Built-in motor protection:	NONE
Motor No:	85805102
Controls:	
Frequency converter:	NONE
Others:	
Minimum efficiency index, MEI ≥:	0.54
Net weight:	19 kg
Gross weight:	21.7 kg
Shipping volume:	0.054 m ³
Sales region:	Great Britain
Country of origin:	GB
Custom tariff no.:	84137075

On request CRN 1S-3 A-FGJ-H-E-HQQE 50 Hz



Note! All units are in [mm] unless others are stated.
 Disclaimer: This simplified dimensional drawing does not show all details.

On request CRN 1S-3 A-FGJ-H-E-HQQE 50 Hz



98.3169

Note! All units are in [mm] unless others are stated.

Order Data:

Position	Your pos.	Product name	Amount	Product No	Total
		CRN 1S-3	1	On request	Price on request