
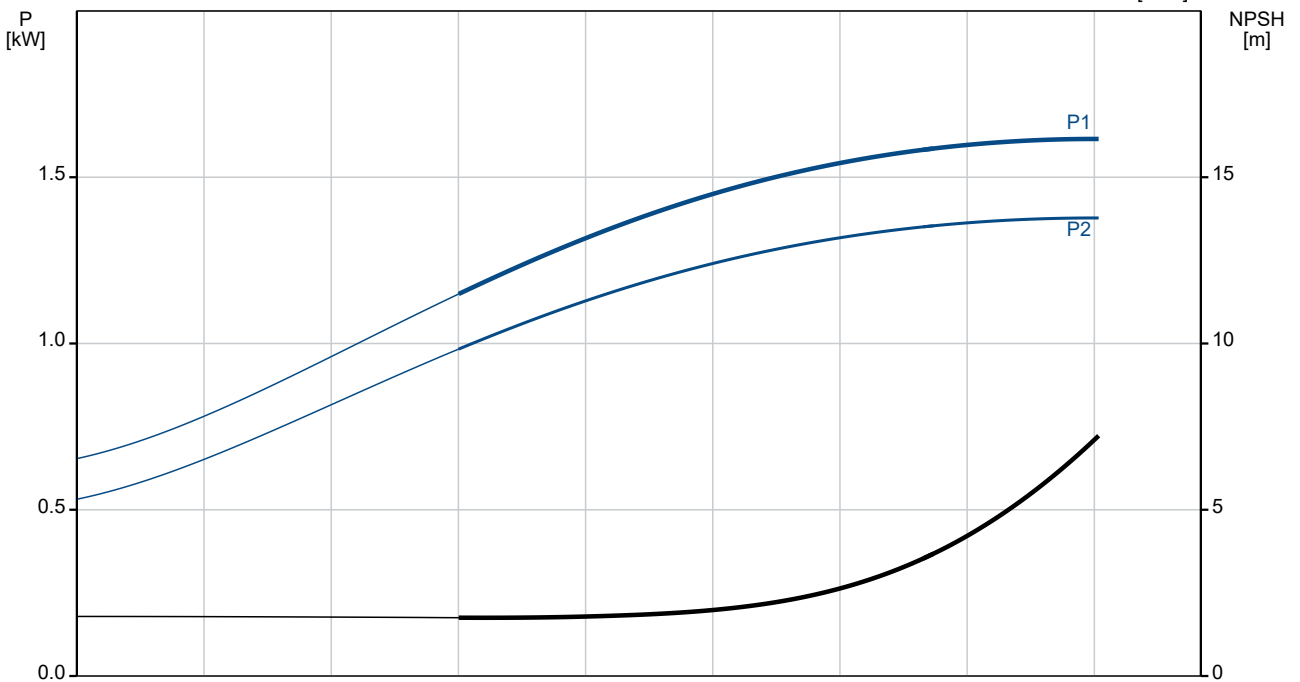
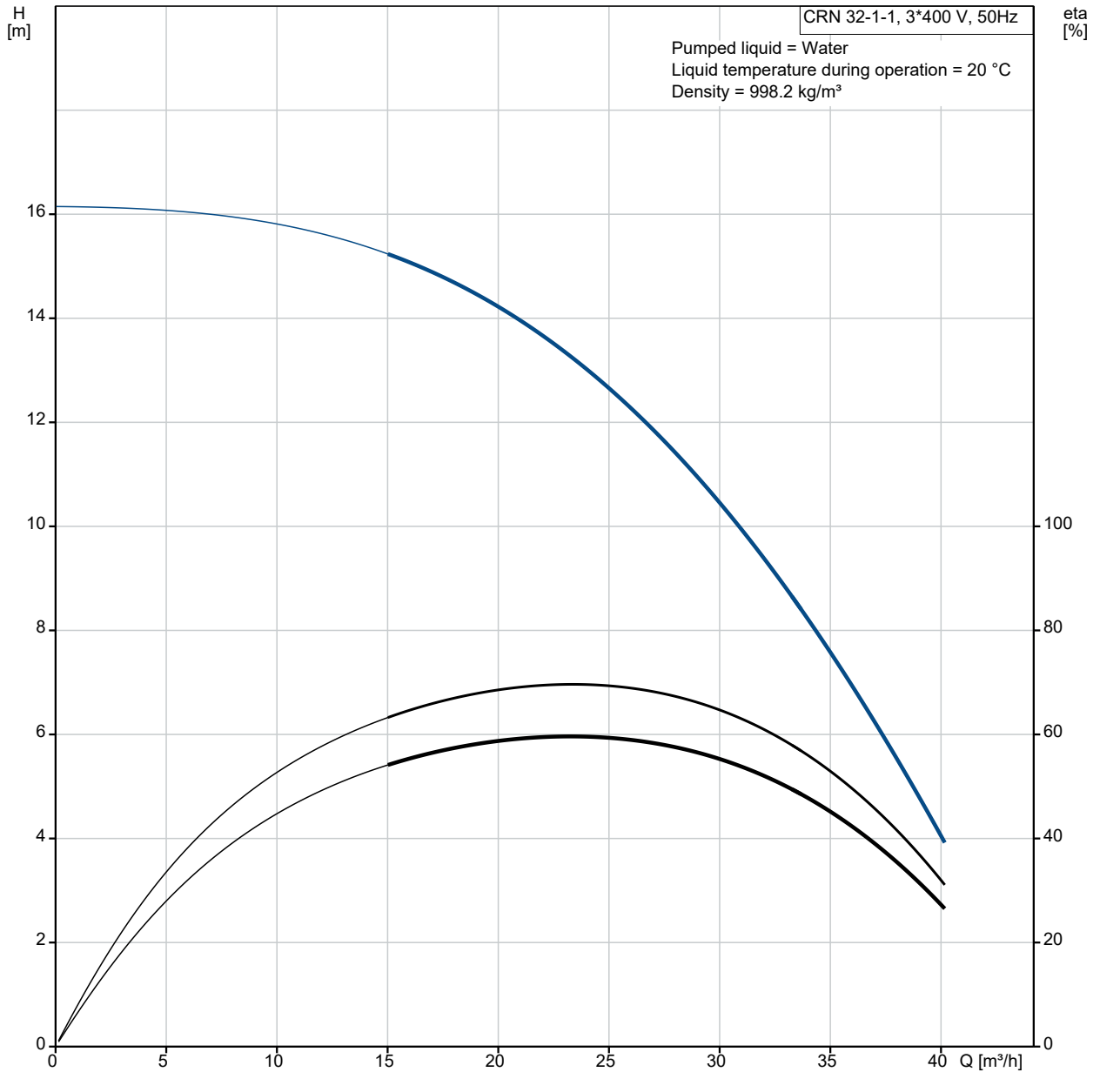


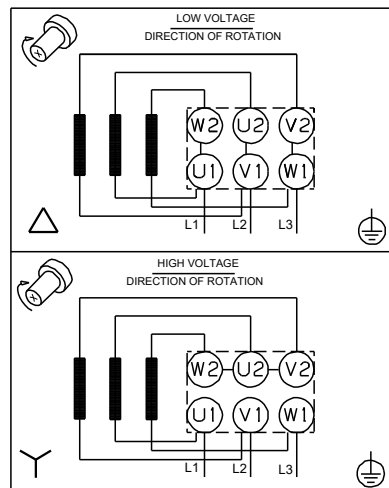
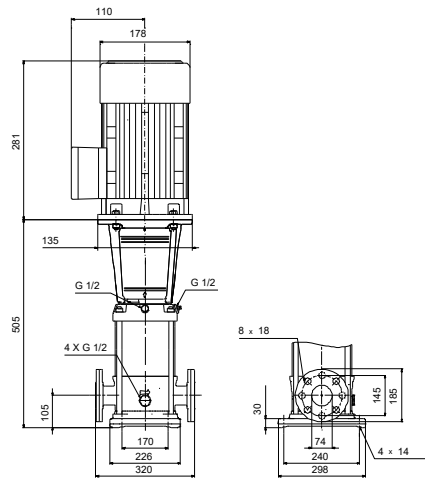
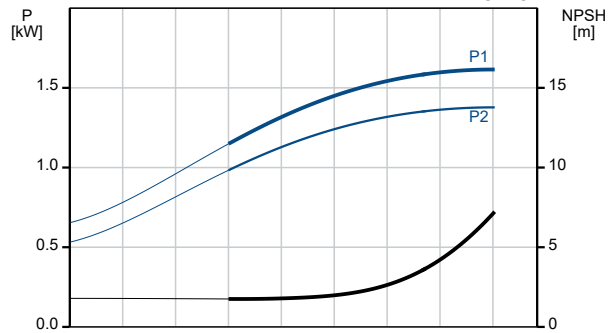
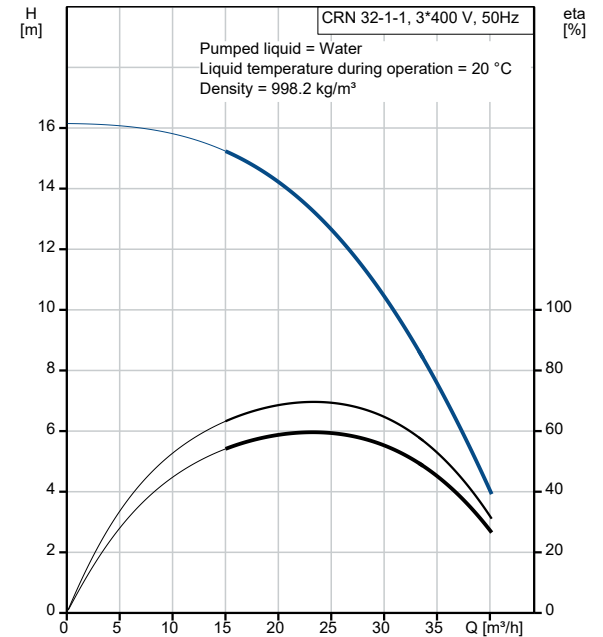
Qty.	Description																																																														
1	<p data-bbox="196 159 507 185">CRN 32-1-1 A-F-H-E-HQQE</p> <div data-bbox="347 197 437 533" style="text-align: center;">  </div> <p data-bbox="592 506 1062 528" style="text-align: center;">Note! Product picture may differ from actual product</p> <p data-bbox="196 539 480 562">Product No.: On request</p> <p data-bbox="196 600 1461 674">Vertical, multistage centrifugal pump with inlet and outlet ports on same the level (inline). Pump materials in contact with the liquid are in high-grade stainless steel. A cartridge shaft seal ensures high reliability, safe handling, and easy access and service. Power transmission is via a rigid split coupling. Pipe connection is via DIN flanges.</p> <p data-bbox="196 712 916 734">The pump is fitted with a 3-phase, fan-cooled asynchronous motor.</p> <p data-bbox="196 772 277 795">Liquid:</p> <table data-bbox="196 797 703 920"> <tr> <td>Pumped liquid:</td> <td>Water</td> </tr> <tr> <td>Liquid temperature range:</td> <td>-40 .. 120 °C</td> </tr> <tr> <td>Selected liquid temperature:</td> <td>20 °C</td> </tr> <tr> <td>Density:</td> <td>998.2 kg/m³</td> </tr> </table> <p data-bbox="196 949 316 972">Technical:</p> <table data-bbox="196 974 820 1245"> <tr> <td>Pump speed on which pump data are based:</td> <td>2896 rpm</td> </tr> <tr> <td>Rated flow:</td> <td>30 m³/h</td> </tr> <tr> <td>Rated head:</td> <td>10.7 m</td> </tr> <tr> <td>Pump orientation:</td> <td>Vertical</td> </tr> <tr> <td>Shaft seal arrangement:</td> <td>Single</td> </tr> <tr> <td>Code for shaft seal:</td> <td>HQQE</td> </tr> <tr> <td>Approvals:</td> <td>CE,EAC,UKCA,SEPRO</td> </tr> <tr> <td>Approvals for drinking water:</td> <td>WRAS,ACS</td> </tr> <tr> <td>Curve tolerance:</td> <td>ISO9906:2012 3B</td> </tr> </table> <p data-bbox="196 1276 309 1299">Materials:</p> <table data-bbox="196 1301 724 1541"> <tr> <td>Base:</td> <td>Stainless steel EN 1.4408 AISI 316</td> </tr> <tr> <td>Impeller:</td> <td>Stainless steel EN 1.4401 AISI 316</td> </tr> <tr> <td>Bearing:</td> <td>SIC</td> </tr> <tr> <td>Support bearing:</td> <td>Graflon</td> </tr> </table> <p data-bbox="196 1572 325 1594">Installation:</p> <table data-bbox="196 1597 730 1720"> <tr> <td>t max amb:</td> <td>60 °C</td> </tr> <tr> <td>Maximum operating pressure:</td> <td>16 bar</td> </tr> <tr> <td>Max pressure at stated temp:</td> <td>16 bar / 120 °C 16 bar / -40 °C</td> </tr> </table> <p data-bbox="196 1722 416 1744">Type of connection:</p> <table data-bbox="196 1747 639 1870"> <tr> <td>Type of connection:</td> <td>DIN</td> </tr> <tr> <td>Size of inlet connection:</td> <td>DN 65</td> </tr> <tr> <td>Size of outlet connection:</td> <td>DN 65</td> </tr> <tr> <td>Pressure rating for connection:</td> <td>PN 40</td> </tr> <tr> <td>Flange size for motor:</td> <td>FT115</td> </tr> </table> <p data-bbox="196 1901 363 1924">Electrical data:</p> <table data-bbox="196 1926 644 2107"> <tr> <td>Motor standard:</td> <td>IEC</td> </tr> <tr> <td>Motor type:</td> <td>90SD</td> </tr> <tr> <td>IE Efficiency class:</td> <td>IE3</td> </tr> <tr> <td>Rated power - P2:</td> <td>1.5 kW</td> </tr> <tr> <td>Power (P2) required by pump:</td> <td>1.5 kW</td> </tr> <tr> <td>Mains frequency:</td> <td>50 Hz</td> </tr> </table>	Pumped liquid:	Water	Liquid temperature range:	-40 .. 120 °C	Selected liquid temperature:	20 °C	Density:	998.2 kg/m ³	Pump speed on which pump data are based:	2896 rpm	Rated flow:	30 m ³ /h	Rated head:	10.7 m	Pump orientation:	Vertical	Shaft seal arrangement:	Single	Code for shaft seal:	HQQE	Approvals:	CE,EAC,UKCA,SEPRO	Approvals for drinking water:	WRAS,ACS	Curve tolerance:	ISO9906:2012 3B	Base:	Stainless steel EN 1.4408 AISI 316	Impeller:	Stainless steel EN 1.4401 AISI 316	Bearing:	SIC	Support bearing:	Graflon	t max amb:	60 °C	Maximum operating pressure:	16 bar	Max pressure at stated temp:	16 bar / 120 °C 16 bar / -40 °C	Type of connection:	DIN	Size of inlet connection:	DN 65	Size of outlet connection:	DN 65	Pressure rating for connection:	PN 40	Flange size for motor:	FT115	Motor standard:	IEC	Motor type:	90SD	IE Efficiency class:	IE3	Rated power - P2:	1.5 kW	Power (P2) required by pump:	1.5 kW	Mains frequency:	50 Hz
Pumped liquid:	Water																																																														
Liquid temperature range:	-40 .. 120 °C																																																														
Selected liquid temperature:	20 °C																																																														
Density:	998.2 kg/m ³																																																														
Pump speed on which pump data are based:	2896 rpm																																																														
Rated flow:	30 m ³ /h																																																														
Rated head:	10.7 m																																																														
Pump orientation:	Vertical																																																														
Shaft seal arrangement:	Single																																																														
Code for shaft seal:	HQQE																																																														
Approvals:	CE,EAC,UKCA,SEPRO																																																														
Approvals for drinking water:	WRAS,ACS																																																														
Curve tolerance:	ISO9906:2012 3B																																																														
Base:	Stainless steel EN 1.4408 AISI 316																																																														
Impeller:	Stainless steel EN 1.4401 AISI 316																																																														
Bearing:	SIC																																																														
Support bearing:	Graflon																																																														
t max amb:	60 °C																																																														
Maximum operating pressure:	16 bar																																																														
Max pressure at stated temp:	16 bar / 120 °C 16 bar / -40 °C																																																														
Type of connection:	DIN																																																														
Size of inlet connection:	DN 65																																																														
Size of outlet connection:	DN 65																																																														
Pressure rating for connection:	PN 40																																																														
Flange size for motor:	FT115																																																														
Motor standard:	IEC																																																														
Motor type:	90SD																																																														
IE Efficiency class:	IE3																																																														
Rated power - P2:	1.5 kW																																																														
Power (P2) required by pump:	1.5 kW																																																														
Mains frequency:	50 Hz																																																														

Qty.	Description
1	<p>Rated voltage: 3 x 220-240D/380-415Y V</p> <p>Rated current: 5.70/3.30 A</p> <p>Starting current: 750-820 %</p> <p>Cos phi - power factor: 0.84-0.78</p> <p>Rated speed: 2890-2910 rpm</p> <p>Efficiency: IE3 84,2%</p> <p>Motor efficiency at full load: 84.2-84.2 %</p> <p>Motor efficiency at 3/4 load: 86.4 %</p> <p>Motor efficiency at 1/2 load: 86.0 %</p> <p>Number of poles: 2</p> <p>Enclosure class (IEC 34-5): 55 Dust/Jetting</p> <p>Insulation class (IEC 85): F</p> <p>Motor No: 85U01906</p> <p>Controls:</p> <p>Frequency converter: NONE</p> <p>Others:</p> <p>Minimum efficiency index, MEI \geq 0.70</p> <p>Net weight: 64 kg</p> <p>Gross weight: 86.9 kg</p> <p>Shipping volume: 0.309 m³</p> <p>Country of origin: GB</p> <p>Custom tariff no.: 84137075</p>

On request CRN 32-1-1 A-F-H-E-HQQE 50 Hz

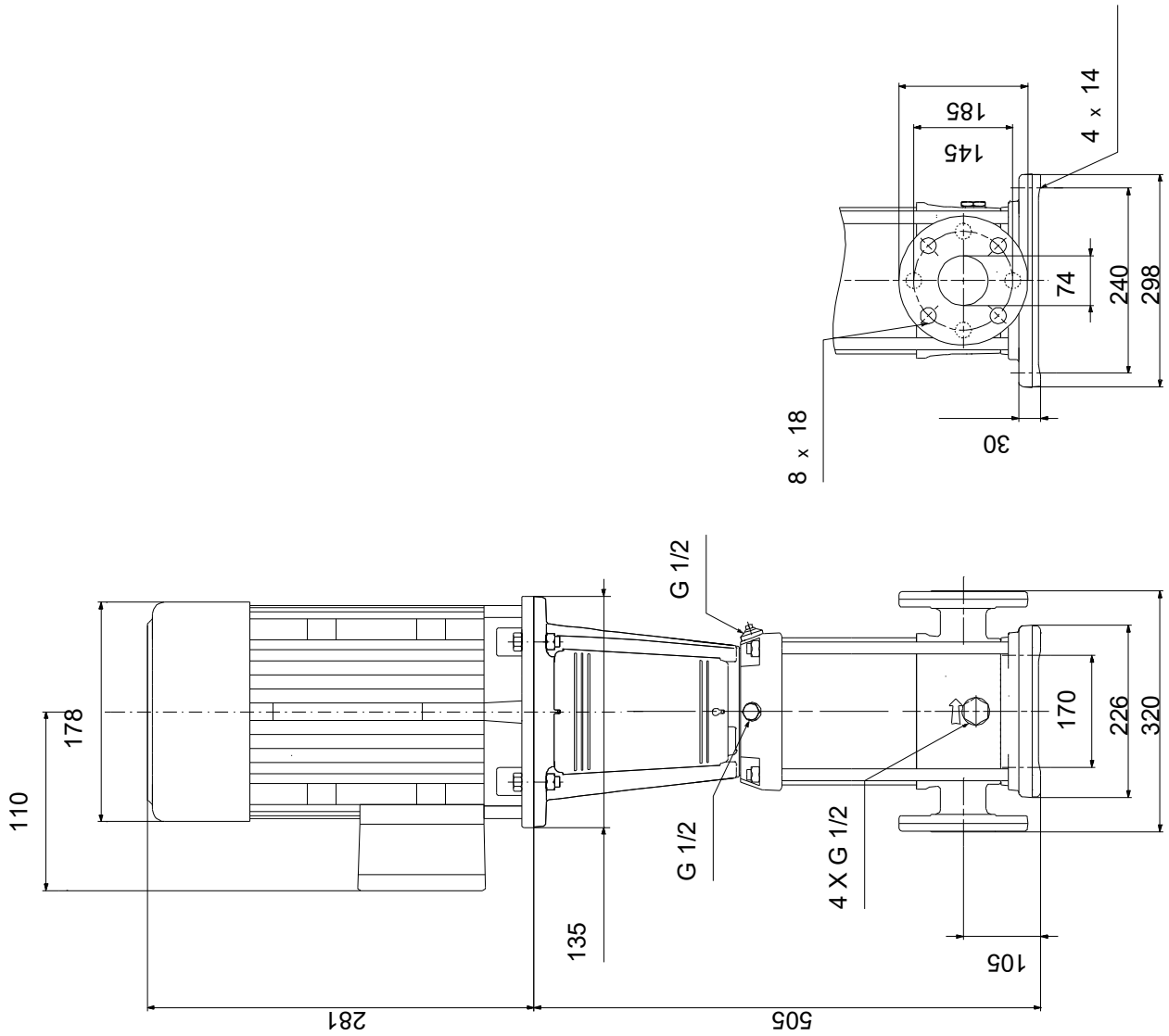


Description	Value
General information:	
Product name:	CRN 32-1-1 A-F-H-E-HQQE
Product No:	On request
EAN number:	On request
Technical:	
Pump speed on which pump data are based:	2896 rpm
Rated flow:	30 m ³ /h
Rated head:	10.7 m
Maximum head:	16 m
Stages:	1
Impellers:	1
Number of reduced-diameter impellers:	1
Low NPSH:	N
Pump orientation:	Vertical
Shaft seal arrangement:	Single
Code for shaft seal:	HQQE
Approvals:	CE,EAC,UKCA,SEPRO
Approvals for drinking water:	WRAS,ACS
Curve tolerance:	ISO9906:2012 3B
Pump version:	A
Model:	B
Materials:	
Base:	Stainless steel
Base:	EN 1.4408
Base:	AISI 316
Impeller:	Stainless steel
Impeller:	EN 1.4401
Impeller:	AISI 316
Material code:	H
Code for rubber:	E
Bearing:	SIC
Support bearing:	Graflon
Installation:	
t max amb:	60 °C
Maximum operating pressure:	16 bar
Max pressure at stated temp:	16 bar / 120 °C
Max pressure at stated temp:	16 bar / -40 °C
Type of connection:	DIN
Size of inlet connection:	DN 65
Size of outlet connection:	DN 65
Pressure rating for connection:	PN 40
Flange size for motor:	FT115
Connect code:	F
Liquid:	
Pumped liquid:	Water
Liquid temperature range:	-40 .. 120 °C
Selected liquid temperature:	20 °C
Density:	998.2 kg/m ³
Electrical data:	
Motor standard:	IEC
Motor type:	90SD
IE Efficiency class:	IE3
Rated power - P2:	1.5 kW
Power (P2) required by pump:	1.5 kW
Mains frequency:	50 Hz
Rated voltage:	3 x 220-240D/380-415 V
Rated current:	5.70/3.30 A
Starting current:	750-820 %
Cos phi - power factor:	0.84-0.78
Rated speed:	2890-2910 rpm
Efficiency:	IE3 84,2%
Motor efficiency at full load:	84.2-84.2 %



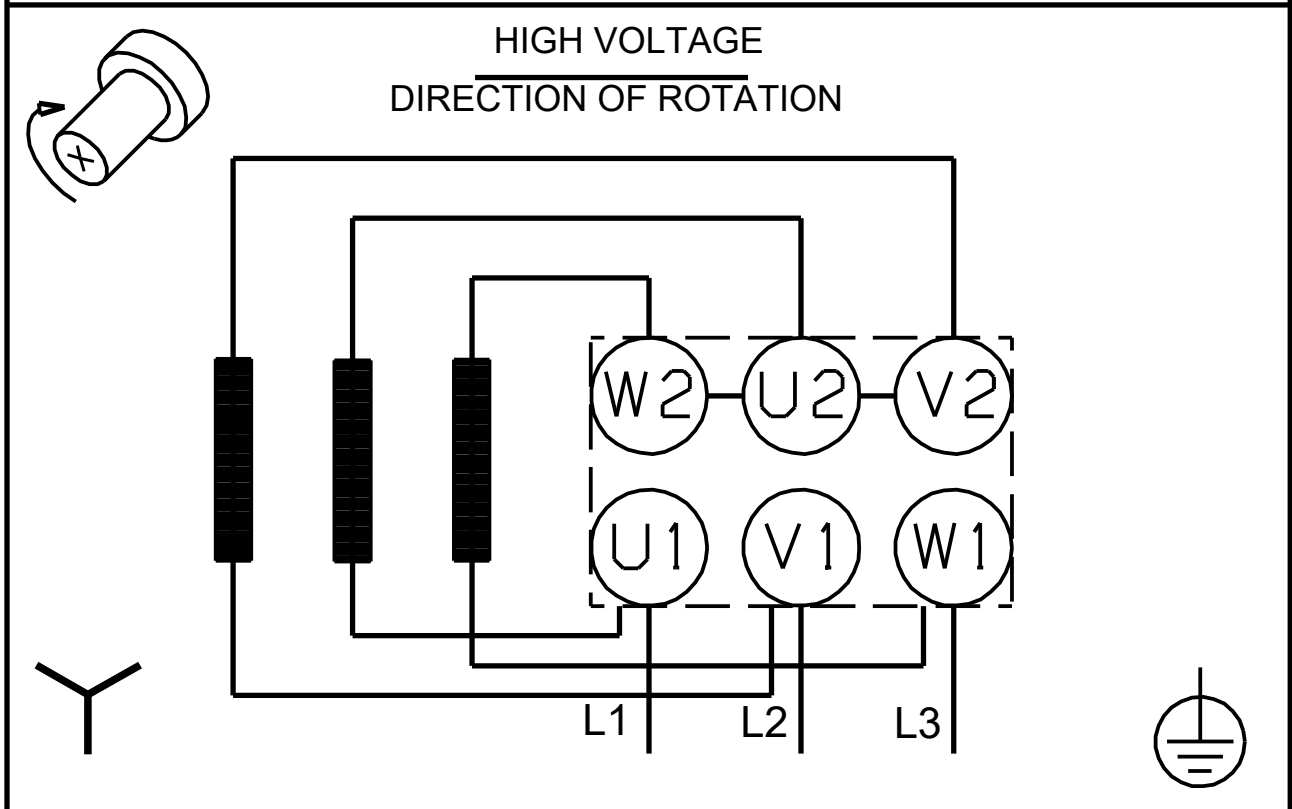
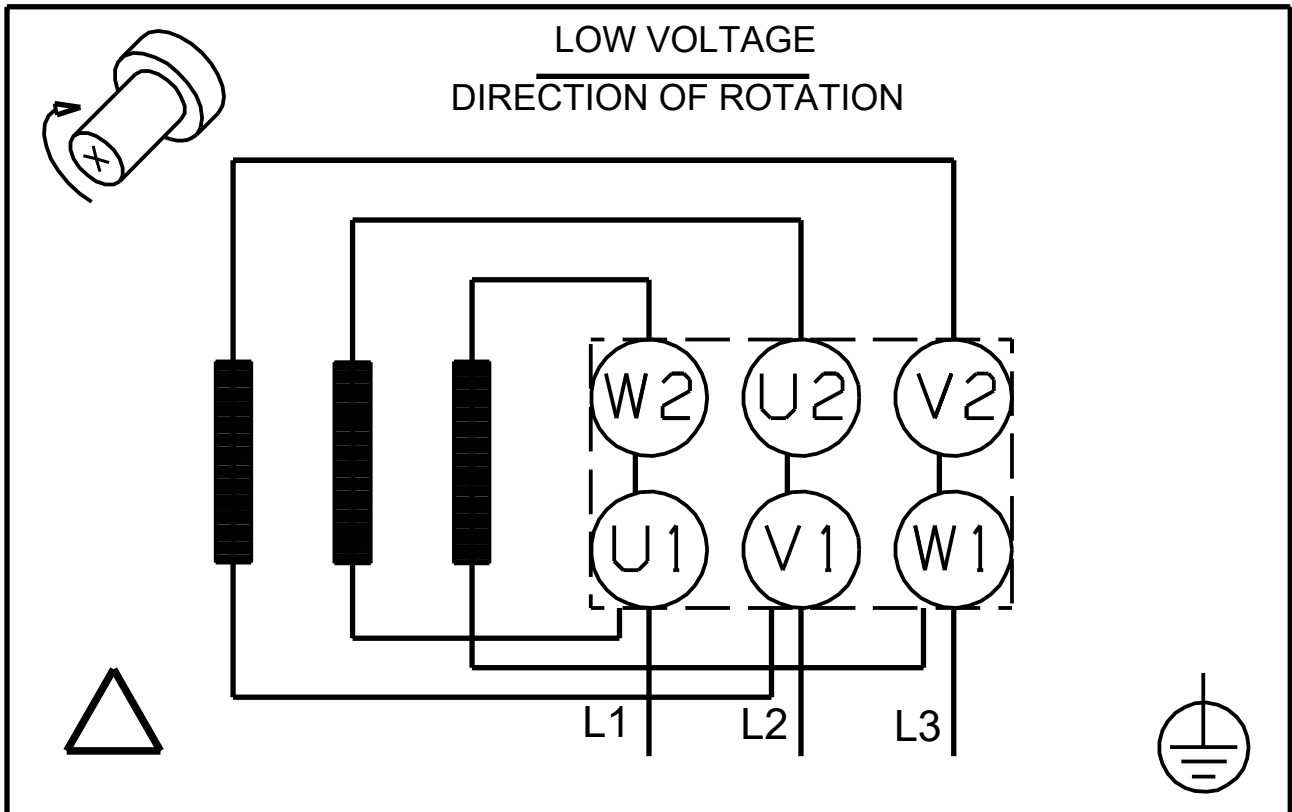
Description	Value
Motor efficiency at 3/4 load:	86.4 %
Motor efficiency at 1/2 load:	86.0 %
Number of poles:	2
Enclosure class (IEC 34-5):	55 Dust/Jetting
Insulation class (IEC 85):	F
Built-in motor protection:	NONE
Motor No:	85U01906
Controls:	
Frequency converter:	NONE
Others:	
Minimum efficiency index, MEI ≥:	0.70
Net weight:	64 kg
Gross weight:	86.9 kg
Shipping volume:	0.309 m ³
Sales region:	Great Britain
Country of origin:	GB
Custom tariff no.:	84137075

On request CRN 32-1-1 A-F-H-E-HQQE 50 Hz



Note! All units are in [mm] unless others are stated.
Disclaimer: This simplified dimensional drawing does not show all details.

On request CRN 32-1-1 A-F-H-E-HQQE 50 Hz



Note! All units are in [mm] unless others are stated.

