
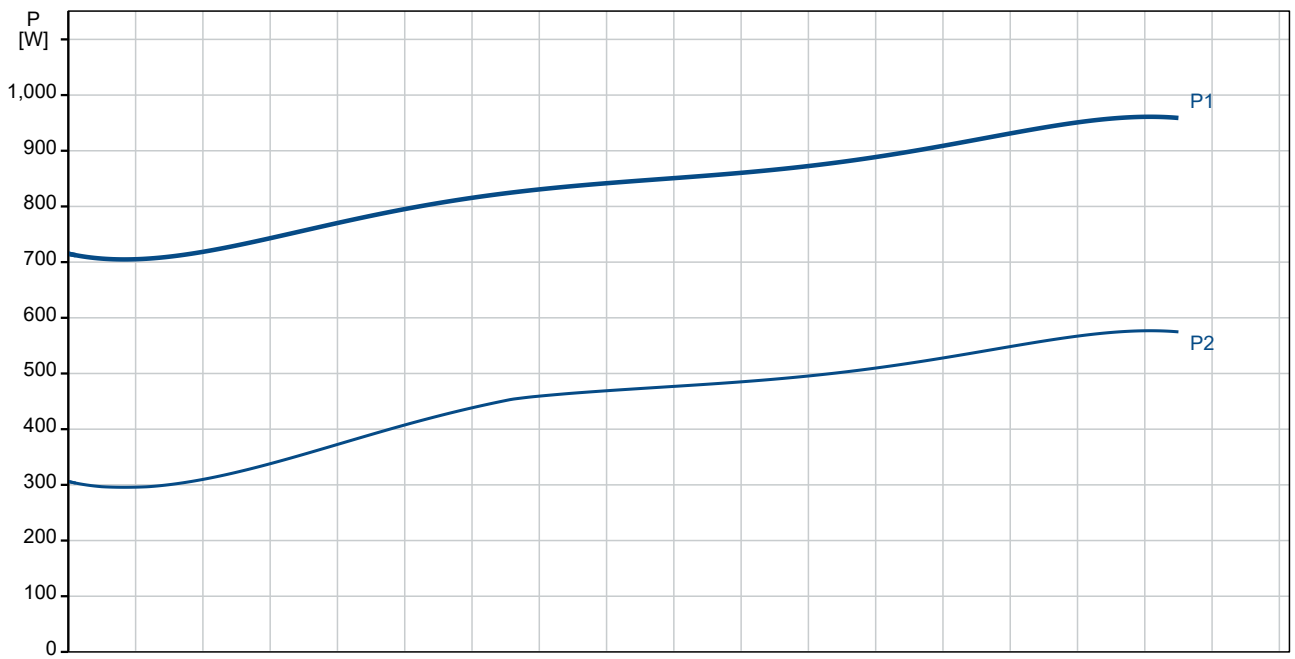
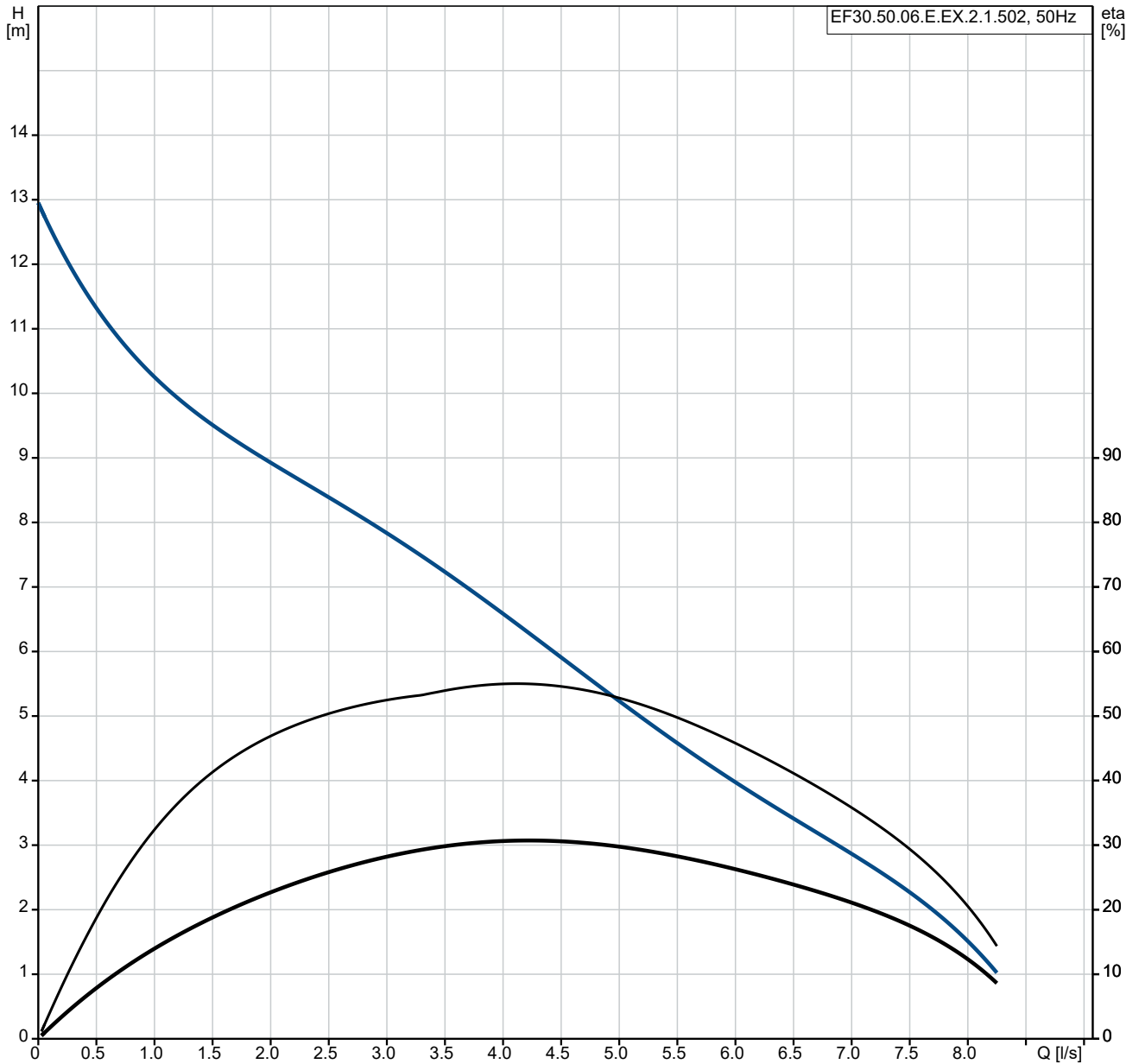


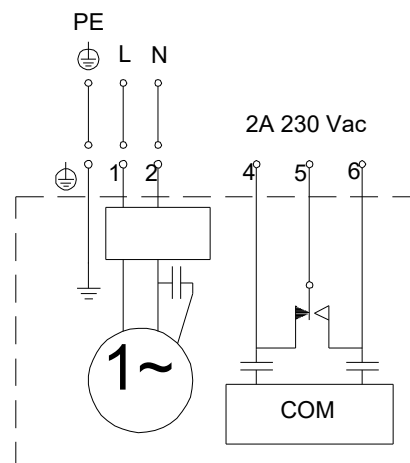
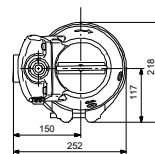
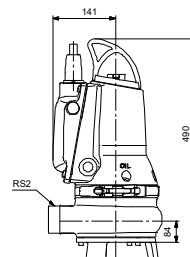
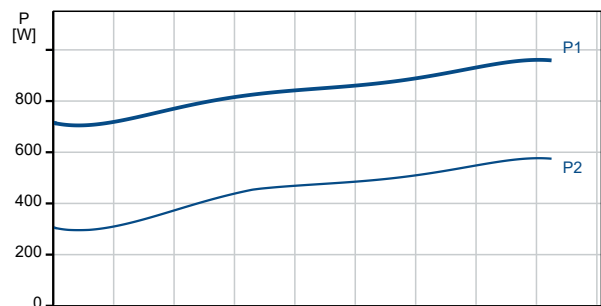
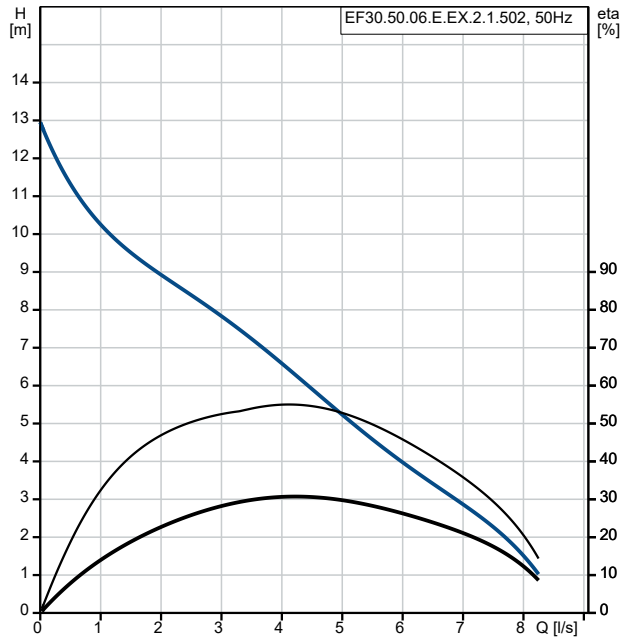
Qty.	Description
1	<p data-bbox="201 159 478 188">EF30.50.06.E.EX.2.1.502</p>  <p data-bbox="592 506 1064 530">Note! Product picture may differ from actual product</p> <p data-bbox="201 539 464 564">Product No.: 96877512</p> <p data-bbox="201 598 1287 624">GRUNDFOS EF AUTOADAPT pump is a portable pump for both domestic and industrial applications.</p> <p data-bbox="201 658 1283 685">The pump has a single-vane, semi-open impeller for 30 mm free passage and is suitable for pumping</p> <ul data-bbox="201 689 954 804" style="list-style-type: none"> • drainage and surface water with small impurities • wastewater with fibres, e.g. from laundries • wastewater without discharge from toilets • wastewater from commercial buildings without discharge from toilets. <p data-bbox="201 837 1197 864">The compact design makes the pump suitable for both temporary and permanent installation.</p> <p data-bbox="201 925 1035 952">The pump has an intermediate oil chamber pre-filled with non-toxic special oil.</p> <p data-bbox="201 985 1374 1037">The pump is fitted with a cable plug for easy dismantling. This plug is hermetically sealed with polyurethane to prevent water from penetrating through the cable into the motor.</p> <p data-bbox="201 1070 1399 1122">A clamp between pump housing and motor ensures easy and safe dismantling and assembly. Inspection can be done in the field without any special tools.</p> <p data-bbox="201 1160 1455 1211">The pump is fitted with a double shaft seal in the unique cartridge design. This makes it easy to replace the shaft seal very quickly in the field without any special tools. It also eliminates the risk of faulty installation.</p> <p data-bbox="201 1245 1187 1272">The motor is insulation class F and has long-life, deep-groove, greased-for-life ball bearings.</p> <p data-bbox="201 1305 1414 1332">The pump has R 2 discharge port and is ready for installation either free-standing or on an auto-coupling system.</p> <p data-bbox="201 1366 1442 1417">The Grundfos EF AUTOADAPT pumps incorporate a controller, sensors and motor-protection. They only need to be connected to the mains supply.</p> <p data-bbox="201 1424 1442 1476">If several pumps are installed in the same tank, the control logic incorporated in the pump will ensure that the load is distributed evenly among the pumps over time.</p> <ul data-bbox="201 1482 421 1509" style="list-style-type: none"> • Alarm relay output. <p data-bbox="201 1516 1184 1568">The pump incorporates an alarm relay output. NC and NO are available and can be used as required, for example for acoustic or visual alarms.</p> <ul data-bbox="201 1574 815 1659" style="list-style-type: none"> • Random start delay in case of general power shutdown. • Self-calibration after each pump cycle. • Anti-seizing system. <p data-bbox="201 1666 1442 1718">The anti-seizing system start the pump at programmed intervals to prevent the impeller from seizing. This function is valid as long as the dryrun sensors are submerged in the media for the Ex versions.</p> <p data-bbox="201 1751 1422 1803">The Grundfos CIU unit can be connected permanent or temporarily for changing the pre-setting, further settings or read out from the logging and operation parameters like no. of starts and operating hours.</p> <p data-bbox="201 1836 1422 1912">Another innovative patent in our AUTOADAPT pumps is a new way of controlling the motor current during start up. The result of this bring us a much higher starting torque for the 1-phase motors than a conventional motor starter using start capacitor.</p> <p data-bbox="201 1951 301 1977">Controls:</p> <p data-bbox="201 1984 834 2011">Moisture sensor: without moisture sensors</p> <p data-bbox="201 2018 847 2045">Water-in-oil sensor: without water-in-oil sensor</p> <p data-bbox="201 2051 671 2078">AUTOADAPT with/without (Yes/No): YES</p>

Qty.	Description
1	<p>Liquid: Liquid temperature range: 0 .. 40 °C Density: 998.2 kg/m³</p> <p>Technical: Max flow: 9 l/s Type of impeller: SEMI OPEN Maximum particle size: 30 mm Primary shaft seal: SIC/SIC Max. hydraulic efficiency: 63 % Curve tolerance: ISO9906:2012 3B2</p> <p>Materials: Pump housing: Cast iron EN-JL-1030 Impeller: Cast iron EN-GJS-500-7</p> <p>Installation: t max amb: 40 °C Maximum operating pressure: 6 bar Pump outlet: R 2 Maximum installation depth: 10 m Auto-coupling: Y</p> <p>Electrical data: Power input - P1: 1 kW Rated power - P2: 0.6 kW Mains frequency: 50 Hz Rated voltage: 1 x 230 V Voltage tolerance: +6/-10 % Max starts per. hour: 30 Rated current: 6.5 A Rated current at 3/4 load: 4.1 A Rated current at 1/2 load: 3.4 A Starting current: 38 A Rated current at no load: 2.6 A Cos phi - power factor: 0.90 Cos phi - p.f. at 3/4 load: 0.86 Cos phi - p.f. at 1/2 load: 0.81 Rated speed: 2920 rpm Locked-rotor torque: 6.5 Nm Breakdown torque: 7 Nm Moment of inertia: 0.0035 kg m² Motor efficiency at full load: 61 % Motor efficiency at 3/4 load: 55 % Motor efficiency at 1/2 load: 42 % Capacitor size - run: 20 µF Number of poles: 2 Start. method: direct-on-line Enclosure class (IEC 34-5): IP68 Insulation class (IEC 85): F Explosion proof: yes Length of cable: 10 m Cable type: LYNIFLEX Type of cable plug: No plug</p> <p>Others: Net weight: 38 kg Danish VVS No.: 391292622 Country of origin: HU Custom tariff no.: 84137021</p>

96877512 EF30.50.06.E.EX.2.1.502 50 Hz

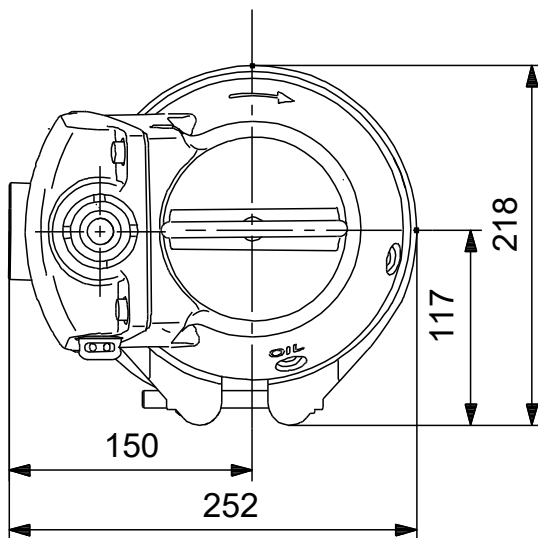
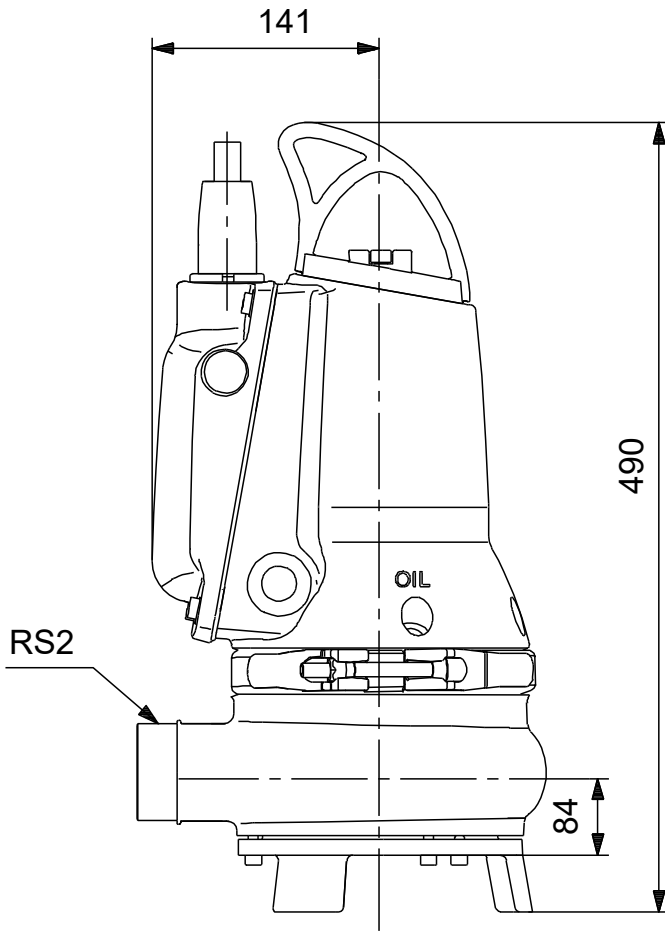


Description	Value
General information:	
Product name:	EF30.50.06.E.EX.2.1.502
Product No:	96877512
EAN number:	5700312521471
Technical:	
Max flow:	9 l/s
Head max:	13.6 m
Type of impeller:	SEMI OPEN
Maximum particle size:	30 mm
Primary shaft seal:	SIC/SIC
Max. hydraulic efficiency:	63 %
Curve tolerance:	ISO9906:2012 3B2
Materials:	
Pump housing:	Cast iron
Pump housing:	EN-JL-1030
Impeller:	Cast iron
Impeller:	EN-GJS-500-7
Installation:	
t max amb:	40 °C
Maximum operating pressure:	6 bar
Pump outlet:	R 2
Maximum installation depth:	10 m
Inst dry/wet:	S
Installation:	vertical
Auto-coupling:	Y
Liquid:	
Liquid temperature range:	0 .. 40 °C
Density:	998.2 kg/m ³
Electrical data:	
Power input - P1:	1 kW
Rated power - P2:	0.6 kW
Mains frequency:	50 Hz
Rated voltage:	1 x 230 V
Voltage tolerance:	+6/-10 %
Max starts per. hour:	30
Rated current:	6.5 A
Rated current at 3/4 load:	4.1 A
Rated current at 1/2 load:	3.4 A
Starting current:	38 A
Rated current at no load:	2.6 A
Cos phi - power factor:	0.90
Cos phi - p.f. at 3/4 load:	0.86
Cos phi - p.f. at 1/2 load:	0.81
Rated speed:	2920 rpm
Locked-rotor torque:	6.5 Nm
Breakdown torque:	7 Nm
Moment of inertia:	0.0035 kg m ²
Motor efficiency at full load:	61 %
Motor efficiency at 3/4 load:	55 %
Motor efficiency at 1/2 load:	42 %
Capacitor size - run:	20 µF
Number of poles:	2
Start. method:	direct-on-line
Enclosure class (IEC 34-5):	IP68
Insulation class (IEC 85):	F
Explosion proof:	yes
Built-in motor protection:	THERMAL SWITCH
Length of cable:	10 m
Cable type:	LYNIFLEX
Type of cable plug:	No plug
Controls:	
Control box:	not included
Additional I/O:	Build in
Moisture sensor:	without moisture sensors



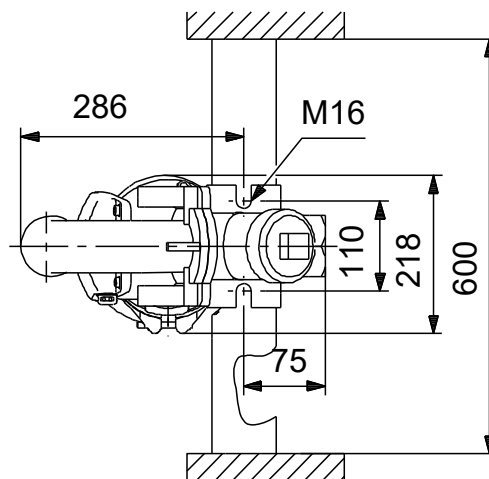
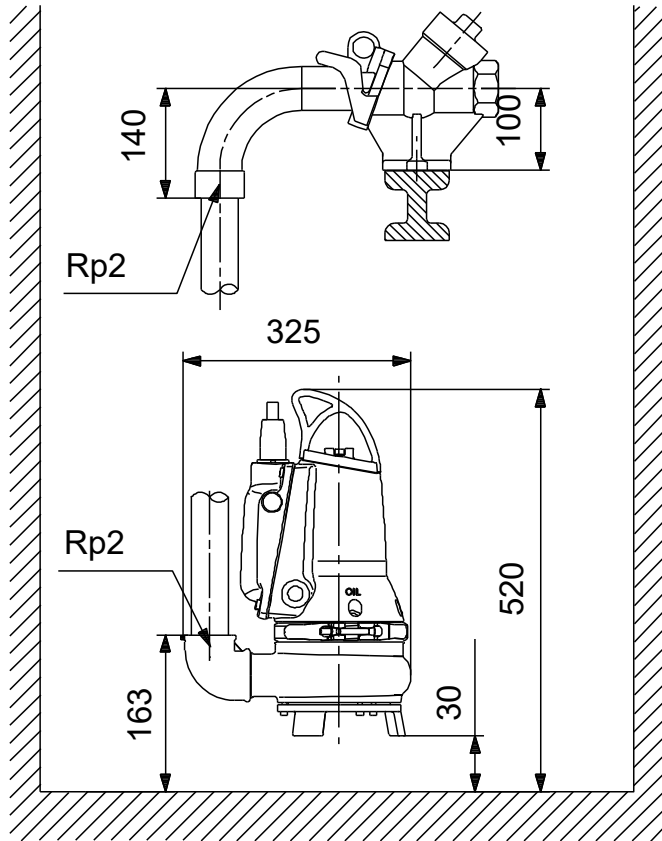
Description	Value
Water-in-oil sensor:	without water-in-oil sensor
AUTOADAPT with/without (Yes/No):	YES
Others:	
Net weight:	38 kg
Danish VVS No.:	391292622
Country of origin:	HU
Custom tariff no.:	84137021

96877512 EF30.50.06.E.EX.2.1.502 50 Hz



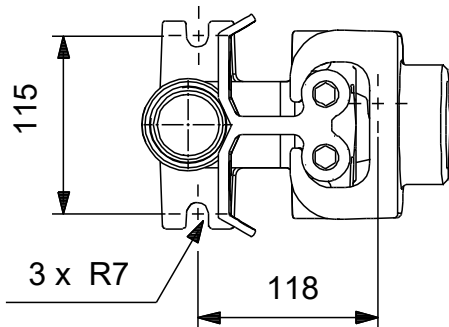
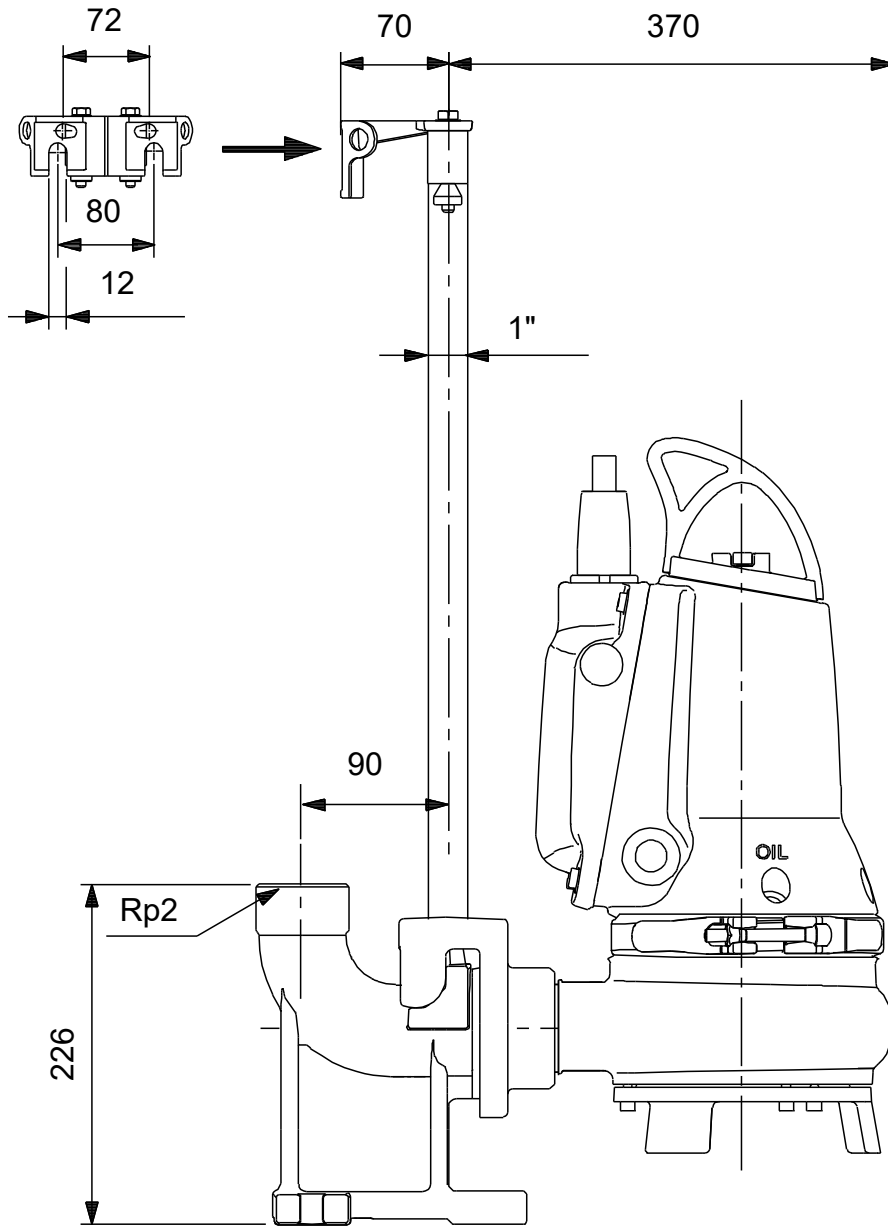
Note! All units are in [mm] unless others are stated.
Disclaimer: This simplified dimensional drawing does not show all details.

96877512 EF30.50.06.E.EX.2.1.502 50 Hz

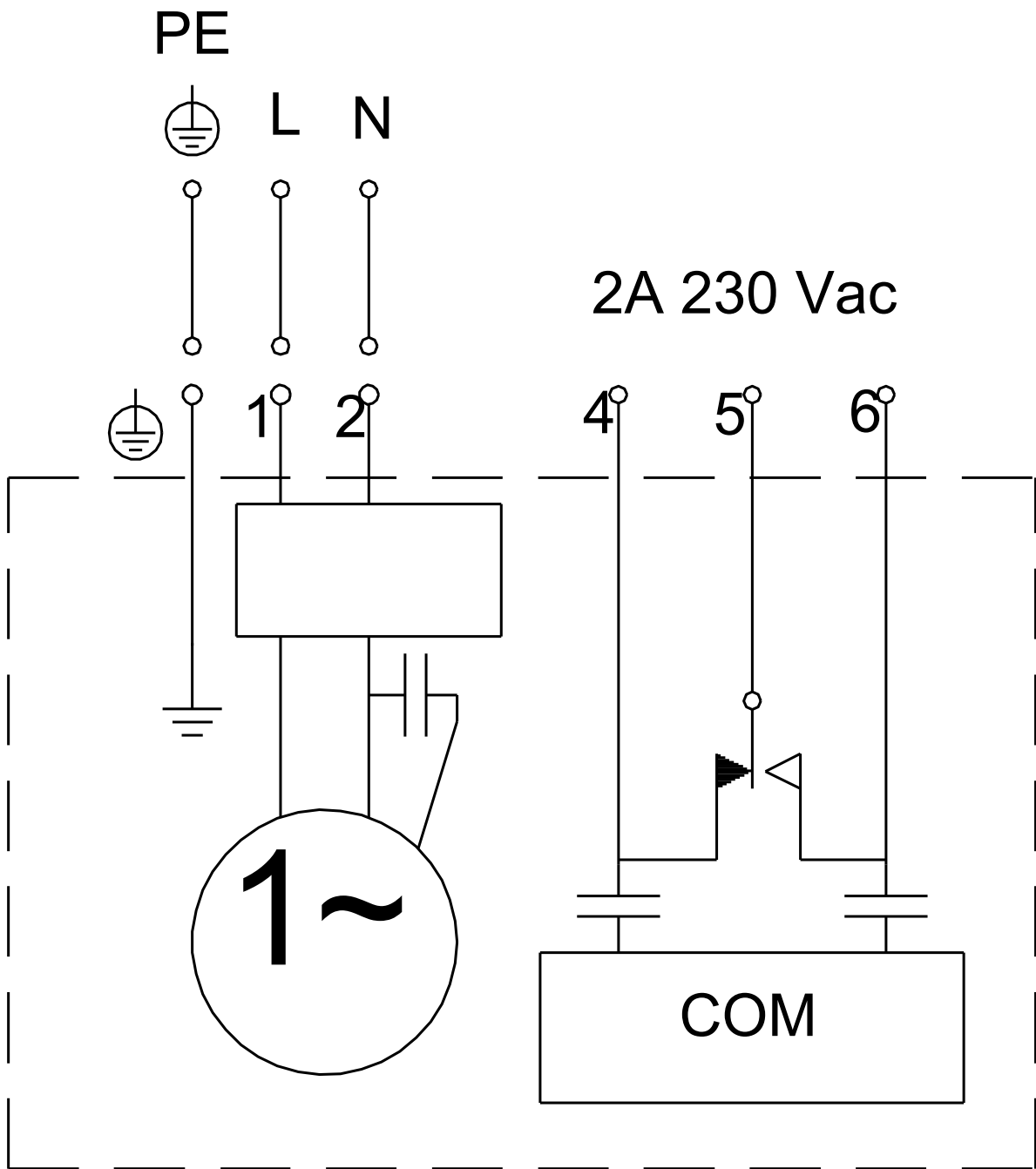


Note! All units are in [mm] unless others are stated.
Disclaimer: This simplified dimensional drawing does not show all details.

96877512 EF30.50.06.E.EX.2.1.502 50 Hz



Note! All units are in [mm] unless others are stated.
Disclaimer: This simplified dimensional drawing does not show all details.



Note! All units are in [mm] unless others are stated.

