
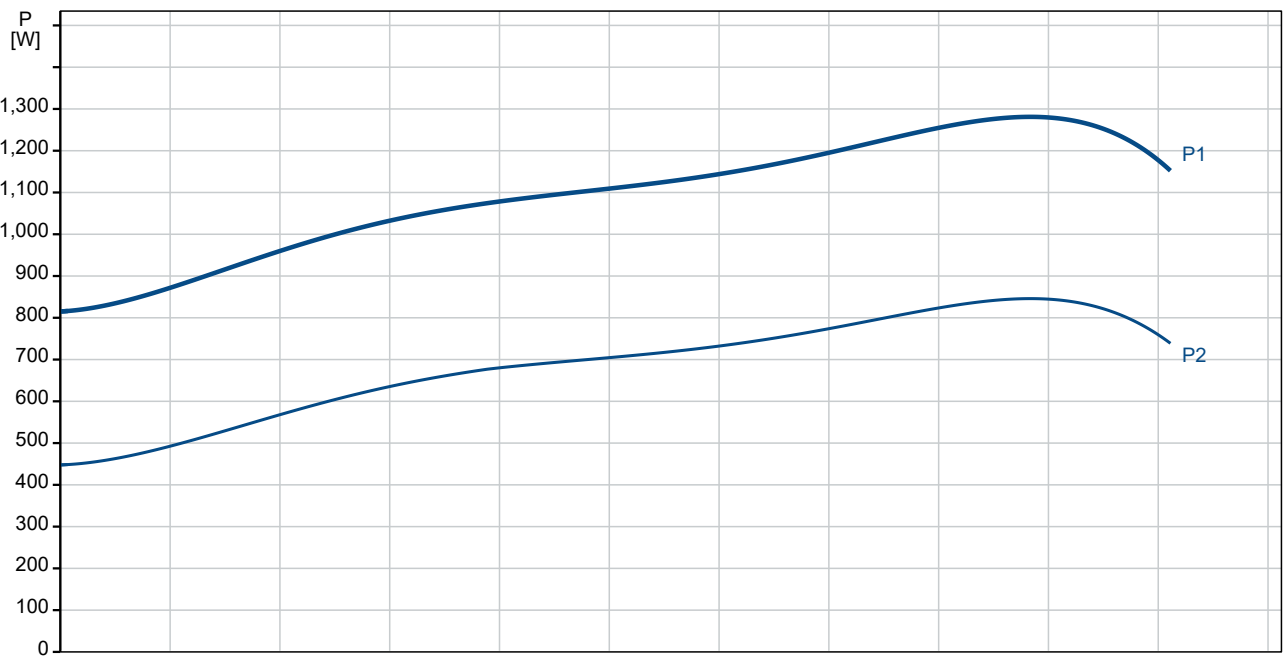
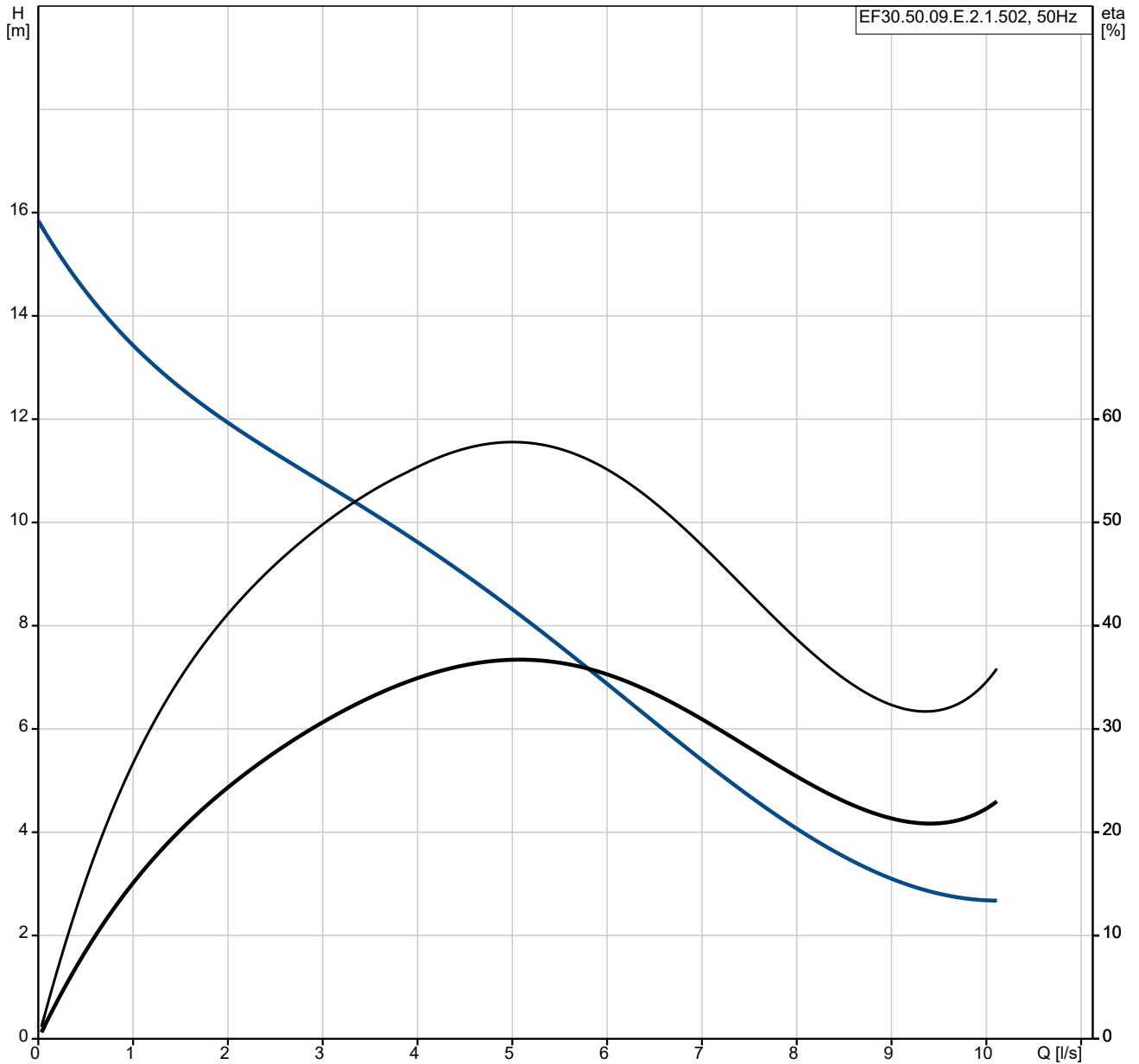


Qty.	Description				
1	<p data-bbox="199 159 438 190">EF30.50.09.E.2.1.502</p>  <p data-bbox="590 504 1061 533" style="text-align: center;">Note! Product picture may differ from actual product</p> <p data-bbox="199 537 470 571">Product No.: 96877515</p> <p data-bbox="199 593 1284 627">GRUNDFOS EF AUTOADAPT pump is a portable pump for both domestic and industrial applications.</p> <p data-bbox="199 649 1284 683">The pump has a single-vane, semi-open impeller for 30 mm free passage and is suitable for pumping</p> <ul data-bbox="199 683 1284 806" style="list-style-type: none"> • drainage and surface water with small impurities • wastewater with fibres, e.g. from laundries • wastewater without discharge from toilets • wastewater from commercial buildings without discharge from toilets. <p data-bbox="199 828 1197 862">The compact design makes the pump suitable for both temporary and permanent installation.</p> <p data-bbox="199 918 1037 952">The pump has an intermediate oil chamber pre-filled with non-toxic special oil.</p> <p data-bbox="199 974 1380 1041">The pump is fitted with a cable plug for easy dismantling. This plug is hermetically sealed with polyurethane to prevent water from penetrating through the cable into the motor.</p> <p data-bbox="199 1064 1404 1131">A clamp between pump housing and motor ensures easy and safe dismantling and assembly. Inspection can be done in the field without any special tools.</p> <p data-bbox="199 1153 1460 1220">The pump is fitted with a double shaft seal in the unique cartridge design. This makes it easy to replace the shaft seal very quickly in the field without any special tools. It also eliminates the risk of faulty installation.</p> <p data-bbox="199 1243 1189 1276">The motor is insulation class F and has long-life, deep-groove, greased-for-life ball bearings.</p> <p data-bbox="199 1299 1412 1332">The pump has R 2 discharge port and is ready for installation either free-standing or on an auto-coupling system.</p> <p data-bbox="199 1355 1444 1422">The Grundfos EF AUTOADAPT pumps incorporate a controller, sensors and motor-protection. They only need to be connected to the mains supply.</p> <p data-bbox="199 1422 1444 1478">If several pumps are installed in the same tank, the control logic incorporated in the pump will ensure that the load is distributed evenly among the pumps over time.</p> <ul data-bbox="199 1478 422 1512" style="list-style-type: none"> • Alarm relay output. <p data-bbox="199 1512 1189 1568">The pump incorporates an alarm relay output. NC and NO are available and can be used as required, for example for acoustic or visual alarms.</p> <ul data-bbox="199 1568 813 1657" style="list-style-type: none"> • Random start delay in case of general power shutdown. • Self-calibration after each pump cycle. • Anti-seizing system. <p data-bbox="199 1657 1460 1713">The anti-seizing system start the pump at programmed intervals to prevent the impeller from seizing up. This function will overwrite the dry-run sensor for non EX versions.</p> <ul data-bbox="199 1713 598 1747" style="list-style-type: none"> • After-run possibility (foam draining) <p data-bbox="199 1747 925 1780">After-run is possible in programmed intervals if risk of floating layer.</p> <p data-bbox="199 1803 1428 1870">The Grundfos CIU unit can be connected permanent or temporarily for changing the pre-setting, further settings or read out from the logging and operation parameters like no. of starts and operating hours.</p> <p data-bbox="199 1892 1428 1971">Another innovative patent in our AUTOADAPT pumps is a new way of controlling the motor current during start up. The result of this bring us a much higher starting torque for the 1-phase motors than a conventional motor starter using start capacitor.</p> <p data-bbox="199 2004 303 2038">Controls:</p> <table data-bbox="199 2038 853 2094" style="width: 100%;"> <tr> <td style="width: 50%;">Moisture sensor:</td> <td>without moisture sensors</td> </tr> <tr> <td>Water-in-oil sensor:</td> <td>without water-in-oil sensor</td> </tr> </table>	Moisture sensor:	without moisture sensors	Water-in-oil sensor:	without water-in-oil sensor
Moisture sensor:	without moisture sensors				
Water-in-oil sensor:	without water-in-oil sensor				

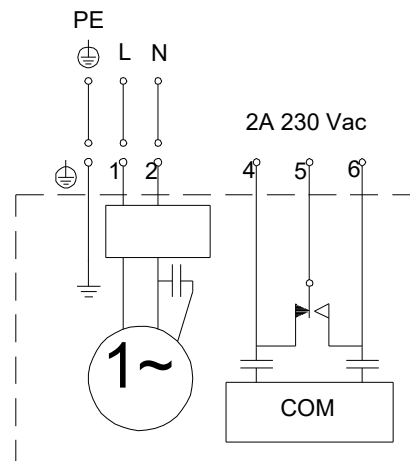
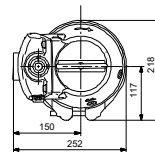
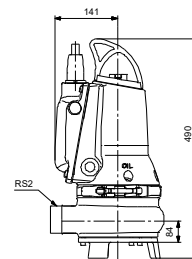
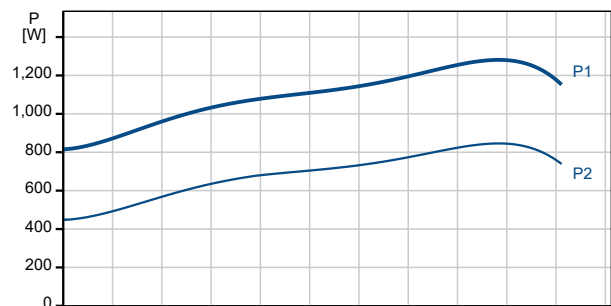
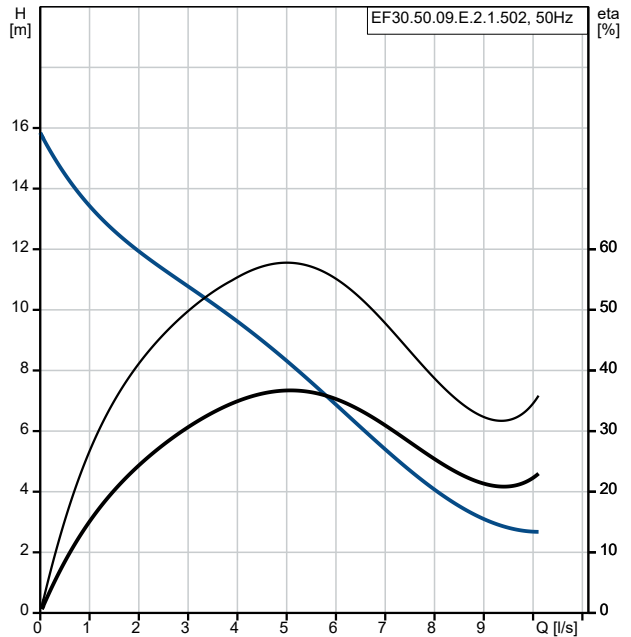
Qty.	Description
1	AUTOADAPT with/without (Yes/No): YES
	Liquid:
	Liquid temperature range: 0 .. 40 °C
	Density: 998.2 kg/m ³
	Technical:
	Max flow: 10.8 l/s
	Type of impeller: SEMI OPEN
	Maximum particle size: 30 mm
	Primary shaft seal: SIC/SIC
	Max. hydraulic efficiency: 60 %
	Curve tolerance: ISO9906:2012 3B2
	Materials:
	Pump housing: Cast iron EN-JL-1030
	Impeller: Cast iron EN-GJS-500-7
	Installation:
	t max amb: 40 °C
	Maximum operating pressure: 6 bar
	Pump outlet: R 2
	Maximum installation depth: 10 m
	Auto-coupling: Y
	Electrical data:
	Power input - P1: 1.3 kW
	Rated power - P2: 0.9 kW
	Mains frequency: 50 Hz
	Rated voltage: 1 x 230 V
	Voltage tolerance: +6/-10 %
	Max starts per. hour: 30
	Rated current: 6.1 A
	Rated current at 3/4 load: 5.1 A
	Rated current at 1/2 load: 4.1 A
	Starting current: 38 A
	Rated current at no load: 2.6 A
	Cos phi - power factor: 0.96
	Cos phi - p.f. at 3/4 load: 0.92
	Cos phi - p.f. at 1/2 load: 0.86
	Rated speed: 2870 rpm
	Locked-rotor torque: 6.5 Nm
	Breakdown torque: 7 Nm
	Moment of inertia: 0.0037 kg m ²
	Motor efficiency at full load: 67 %
	Motor efficiency at 3/4 load: 63 %
	Motor efficiency at 1/2 load: 55 %
	Capacitor size - run: 20 µF
	Number of poles: 2
	Start. method: direct-on-line
	Enclosure class (IEC 34-5): IP68
	Insulation class (IEC 85): F
	Explosion proof: no
	Length of cable: 10 m
	Cable type: 07RN8-F
	Type of cable plug: No plug
	Others:
	Net weight: 38 kg
	Danish VVS No.: 391292632
	Swedish RSK No.: 5885969
	Finnish LVI No.: 4822608
	Norwegian NRF no.: 9045586

Qty.	Description
1	Country of origin: HU Custom tariff no.: 84137021

96877515 EF30.50.09.E.2.1.502 50 Hz

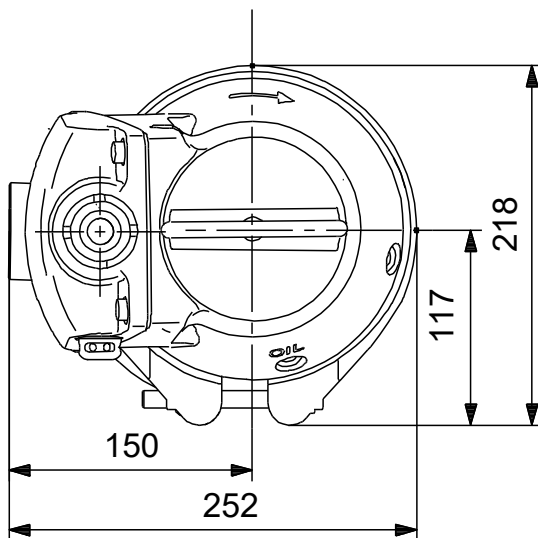
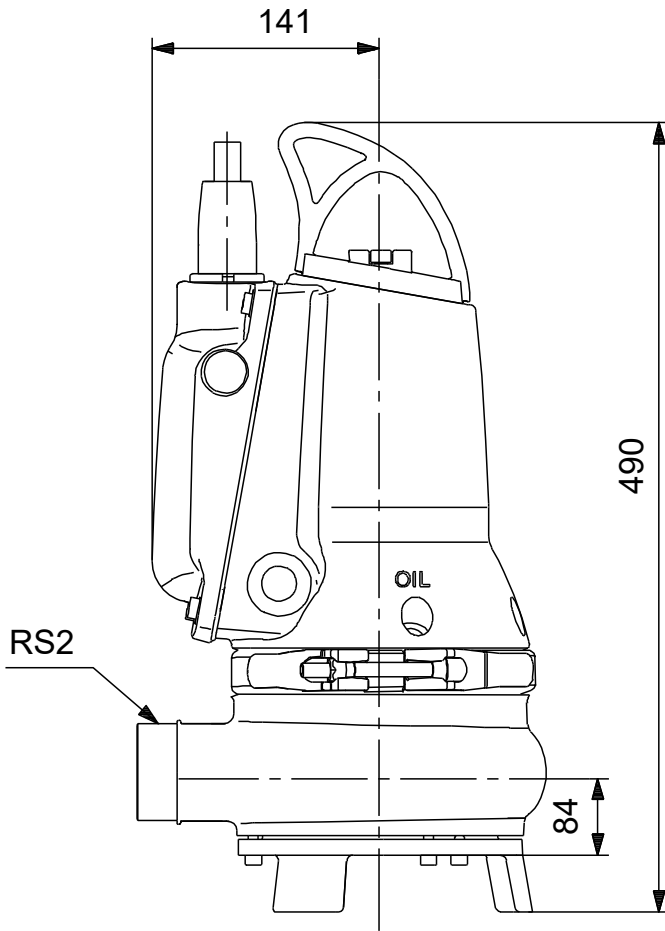


Description	Value
General information:	
Product name:	EF30.50.09.E.2.1.502
Product No:	96877515
EAN number:	5700312521501
Technical:	
Max flow:	10.8 l/s
Head max:	16.8 m
Type of impeller:	SEMI OPEN
Maximum particle size:	30 mm
Primary shaft seal:	SIC/SIC
Max. hydraulic efficiency:	60 %
Curve tolerance:	ISO9906:2012 3B2
Materials:	
Pump housing:	Cast iron
Pump housing:	EN-JL-1030
Impeller:	Cast iron
Impeller:	EN-GJS-500-7
Installation:	
t max amb:	40 °C
Maximum operating pressure:	6 bar
Pump outlet:	R 2
Maximum installation depth:	10 m
Inst dry/wet:	S
Installation:	vertical
Auto-coupling:	Y
Liquid:	
Liquid temperature range:	0 .. 40 °C
Density:	998.2 kg/m ³
Electrical data:	
Power input - P1:	1.3 kW
Rated power - P2:	0.9 kW
Mains frequency:	50 Hz
Rated voltage:	1 x 230 V
Voltage tolerance:	+6/-10 %
Max starts per. hour:	30
Rated current:	6.1 A
Rated current at 3/4 load:	5.1 A
Rated current at 1/2 load:	4.1 A
Starting current:	38 A
Rated current at no load:	2.6 A
Cos phi - power factor:	0.96
Cos phi - p.f. at 3/4 load:	0.92
Cos phi - p.f. at 1/2 load:	0.86
Rated speed:	2870 rpm
Locked-rotor torque:	6.5 Nm
Breakdown torque:	7 Nm
Moment of inertia:	0.0037 kg m ²
Motor efficiency at full load:	67 %
Motor efficiency at 3/4 load:	63 %
Motor efficiency at 1/2 load:	55 %
Capacitor size - run:	20 µF
Number of poles:	2
Start. method:	direct-on-line
Enclosure class (IEC 34-5):	IP68
Insulation class (IEC 85):	F
Explosion proof:	no
Built-in motor protection:	THERMAL SWITCH
Length of cable:	10 m
Cable type:	07RN8-F
Type of cable plug:	No plug
Controls:	
Control box:	not included
Additional I/O:	Build in
Moisture sensor:	without moisture sensors



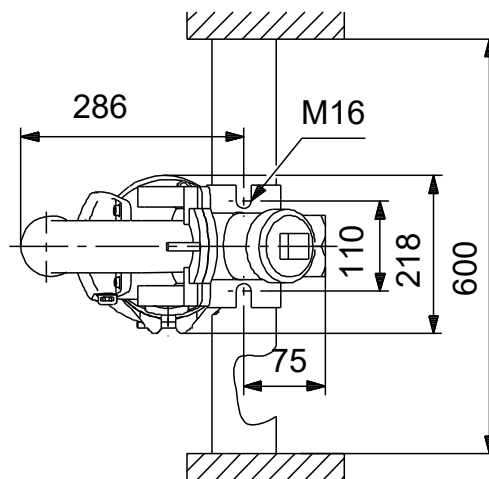
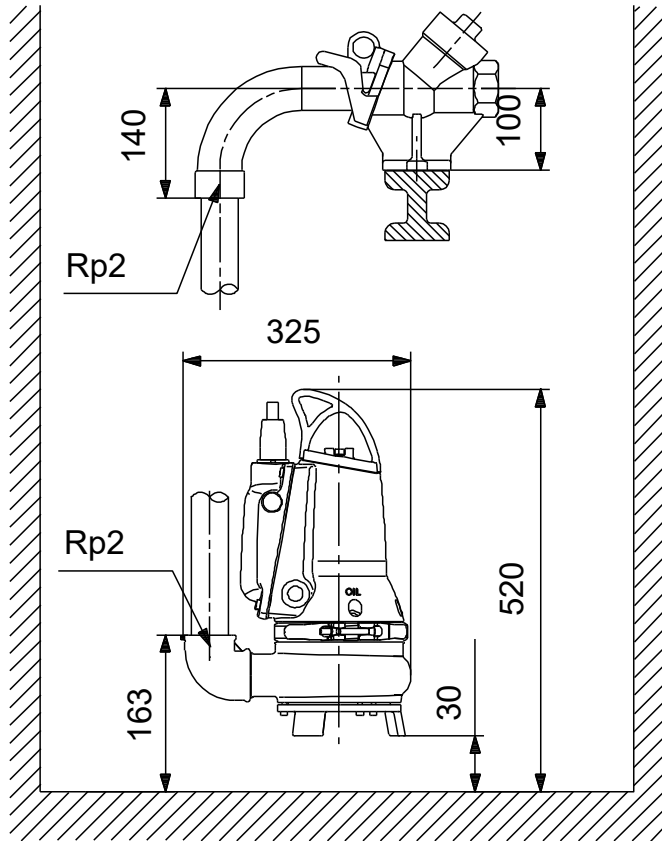
Description	Value
Water-in-oil sensor:	without water-in-oil sensor
AUTOADAPT with/without (Yes/No):	YES
Others:	
Net weight:	38 kg
Danish VVS No.:	391292632
Swedish RSK No.:	5885969
Finnish LVI No.:	4822608
Norwegian NRF no.:	9045586
Country of origin:	HU
Custom tariff no.:	84137021

96877515 EF30.50.09.E.2.1.502 50 Hz



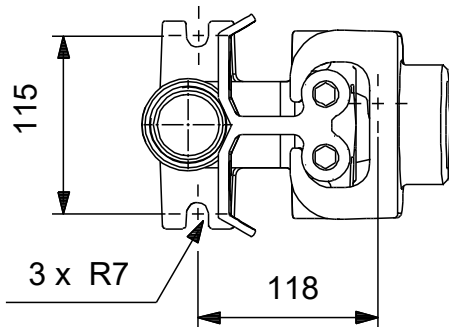
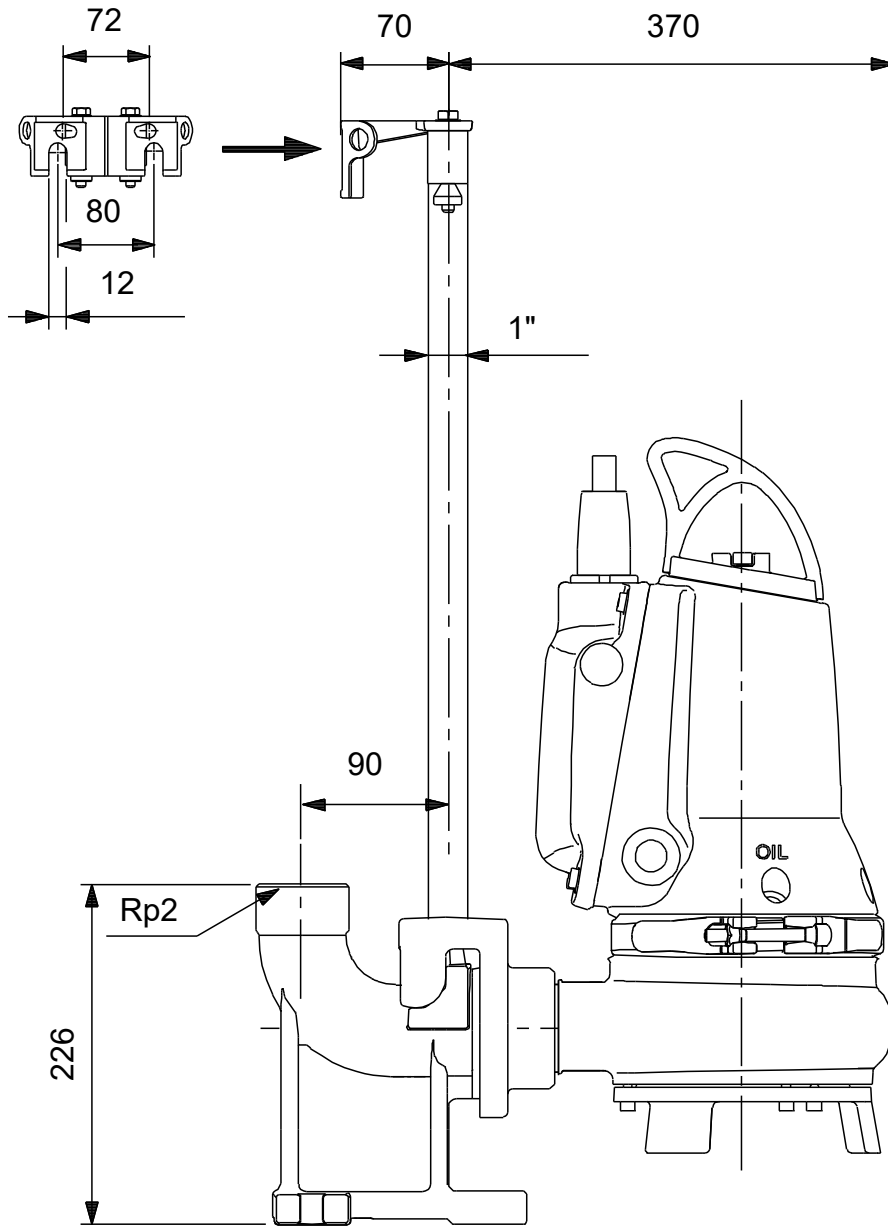
Note! All units are in [mm] unless others are stated.
Disclaimer: This simplified dimensional drawing does not show all details.

96877515 EF30.50.09.E.2.1.502 50 Hz

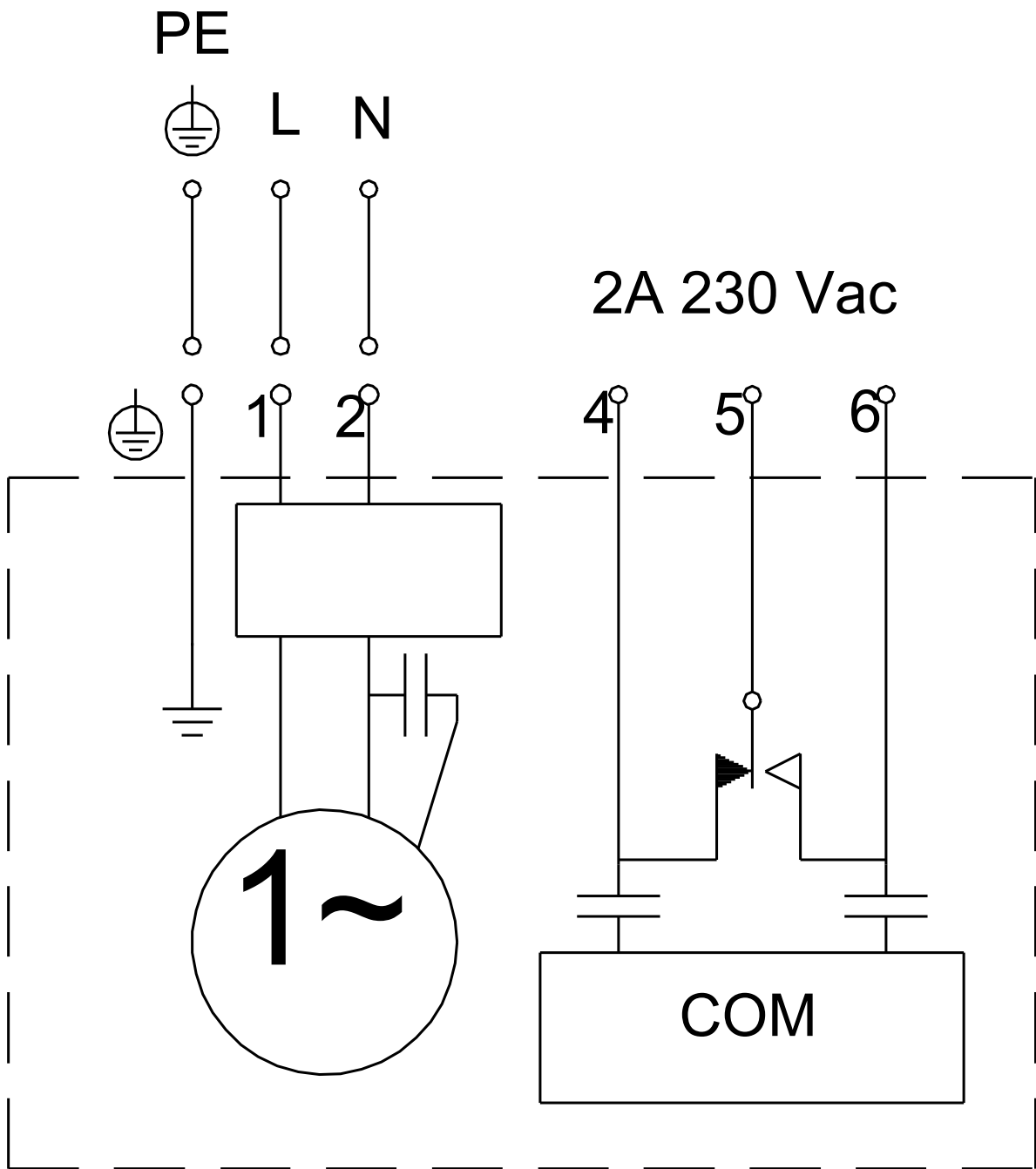


Note! All units are in [mm] unless others are stated.
Disclaimer: This simplified dimensional drawing does not show all details.

96877515 EF30.50.09.E.2.1.502 50 Hz



Note! All units are in [mm] unless others are stated.
Disclaimer: This simplified dimensional drawing does not show all details.



Note! All units are in [mm] unless others are stated.

