

Qty.	Description
------	-------------

1	<b>Insulation cooling</b>
---	---------------------------



**Note! Product picture may differ from actual product**

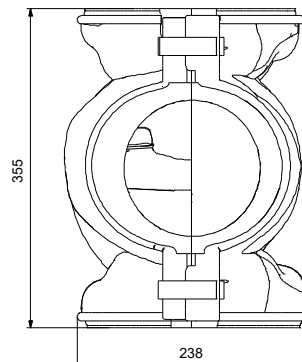
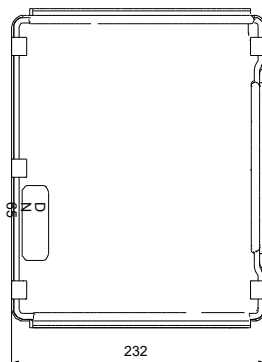
Product No.: [96913593](#)

The accessory is for single-head MAGNA pumps used in applications with ice build-up.

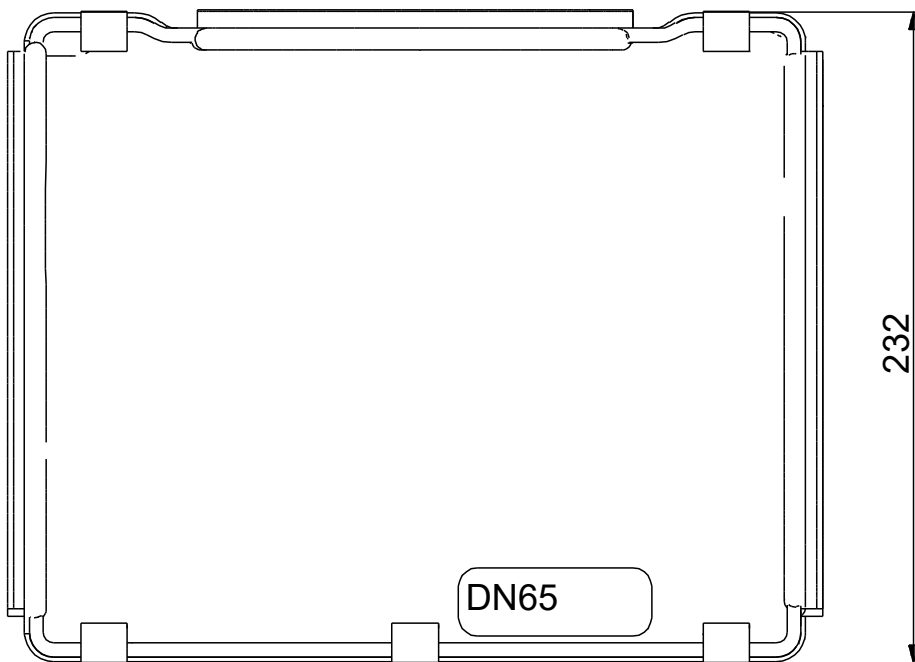
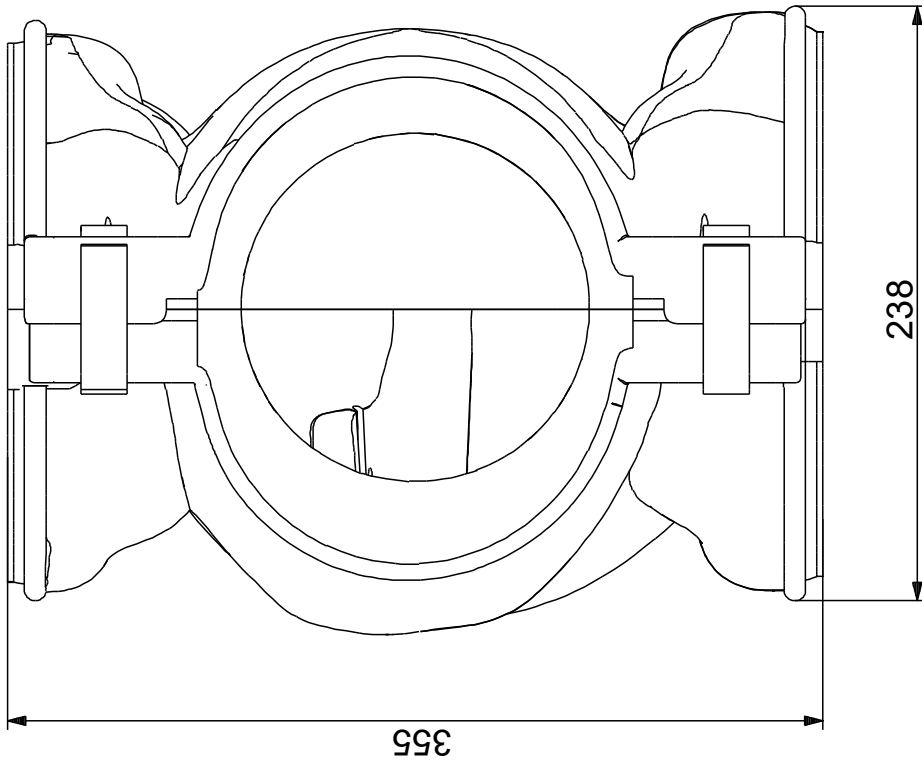
The accessory set consists of two polyurethane (PUR) shells and metal clamps to ensure tight assembly.

The dimensions of the insulating shells for air-conditioning and cooling systems differ from those of the insulating shells for heating systems. You can use the insulating shells for both stainless-steel and cast-iron pumps.

Description	Value
<b>General information:</b>	
Product name:	Insulation cooling
Product No:	<a href="#">96913593</a>
EAN number:	5700313552276
<b>Materials:</b>	
Material:	Polyethylene
<b>Others:</b>	
Net weight:	0.68 kg
Gross weight:	1.13 kg
Shipping volume:	0.028 m <sup>3</sup>
Fits to following products:	MAGNA3
Fits to variant:	65-40/60/80/100/120 F
Application type:	cooling
Danish VVS No.:	380969813
Finnish LVI No.:	4616533
Country of origin:	DE
Custom tariff no.:	39211100



**96913593 Insulation cooling 50 Hz**



Note! All units are in [mm] unless others are stated.  
Disclaimer: This simplified dimensional drawing does not show all details.



Company name:

Created by:

Phone:

Date:

16/06/2022

---

**Order Data:**

Product name: Insulation cooling

Amount: 1

Product No: 96913593

Total: Price on request

---