
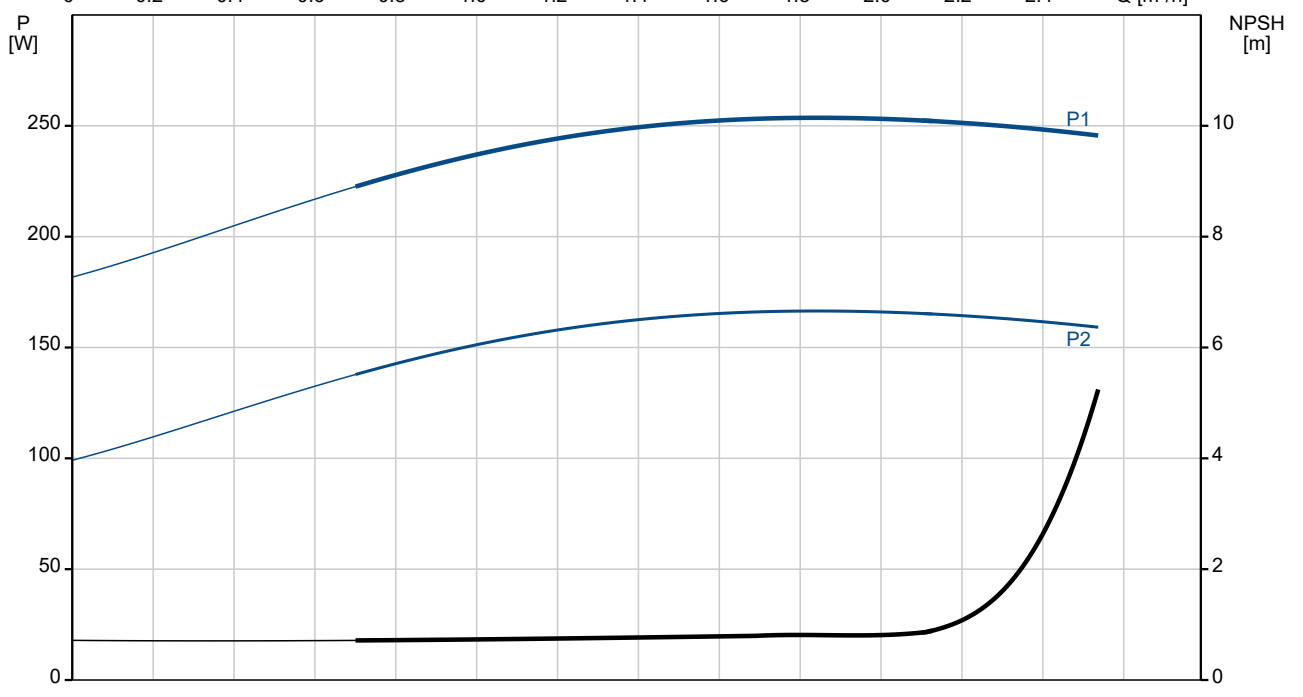
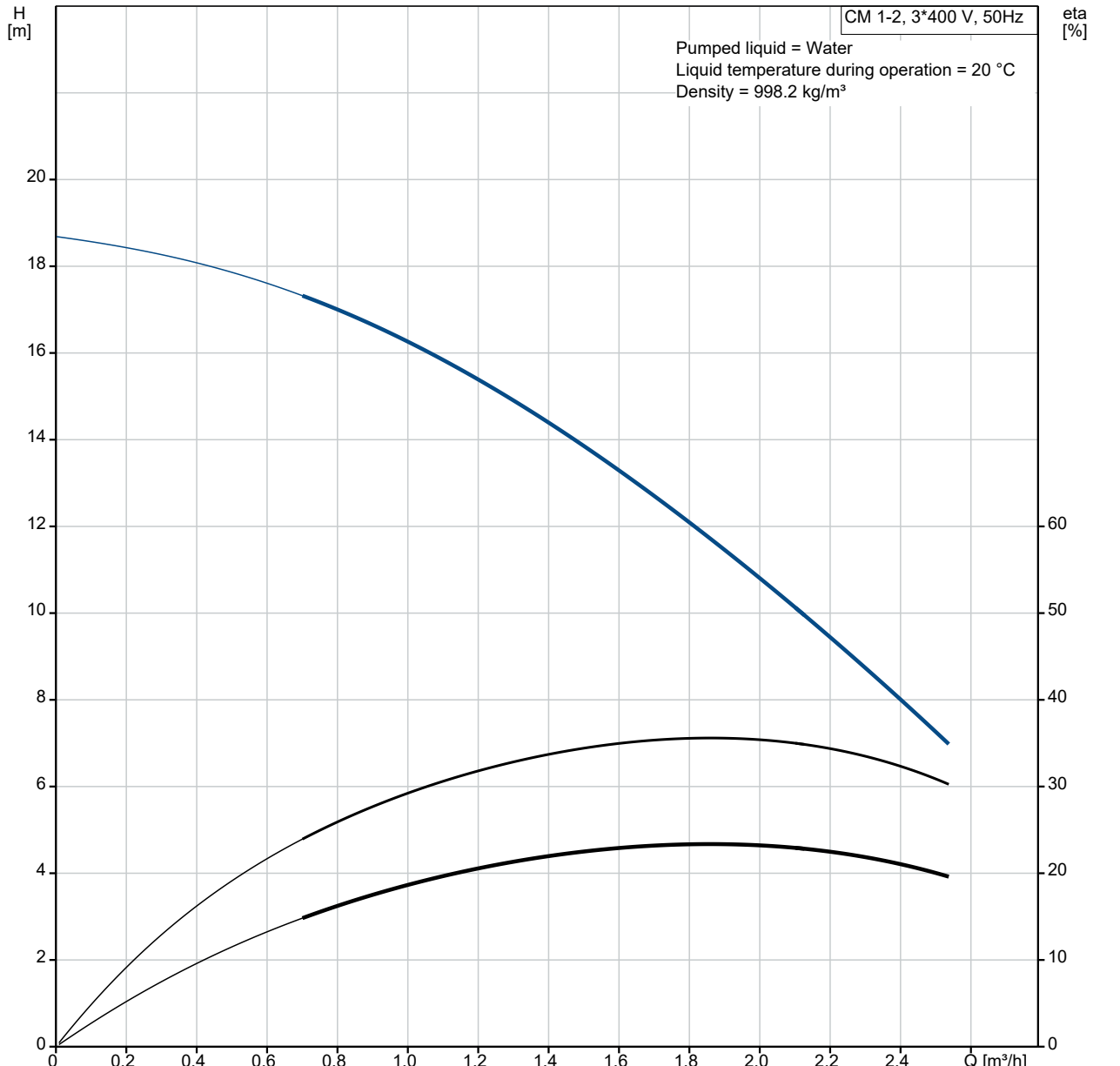


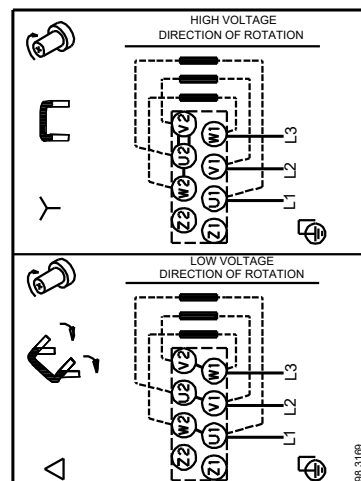
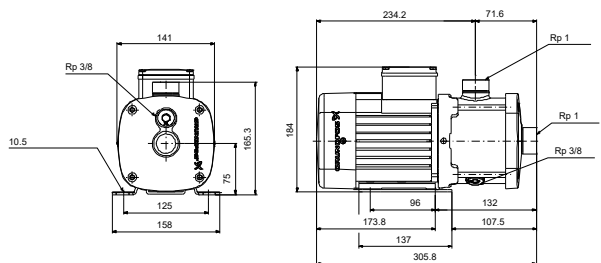
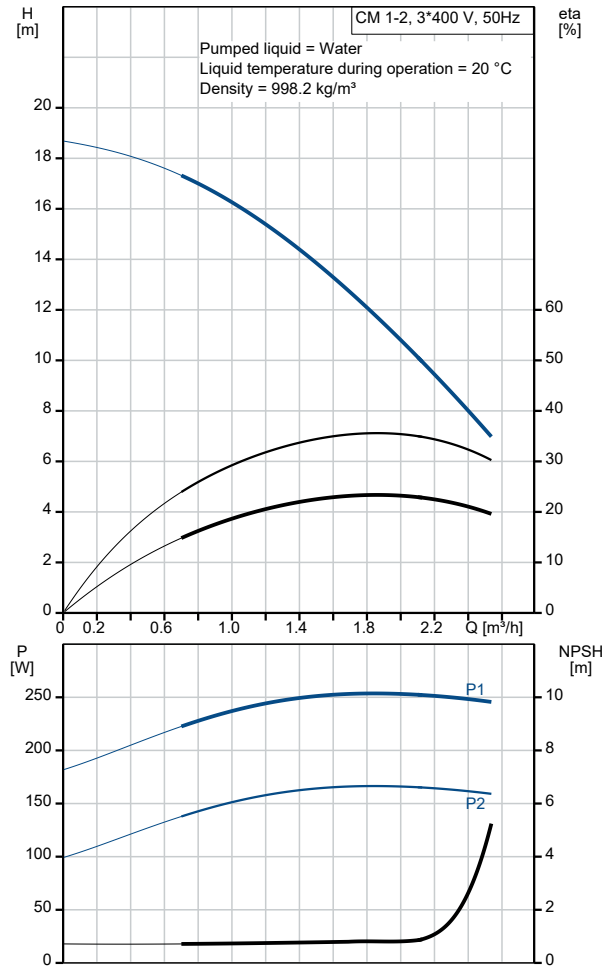
Qty.	Description
1	<p data-bbox="196 159 560 188"><b>CM 1-2 A-R-G-E-AQQE F-A-A-N</b></p>  <p data-bbox="592 506 1062 530" style="text-align: center;"><b>Note! Product picture may differ from actual product</b></p> <p data-bbox="196 539 480 564">Product No.: On request</p> <p data-bbox="196 600 1463 674">Compact, reliable, horizontal, multistage, end-suction centrifugal pump with axial suction port and radial discharge port. Pump materials in contact with the liquid are in high-grade stainless steel. The mechanical shaft seal is a special designed, unbalanced O-ring seal. Pipework connection is via internal Whitworth pipe threads, Rp (ISO 7/1).</p> <p data-bbox="196 710 1070 734">The pump is fitted with a 3-phase, foot-mounted, fan-cooled asynchronous motor.</p> <p data-bbox="196 770 300 795"><b>Controls:</b></p> <p data-bbox="196 797 636 824">Frequency converter:                    NONE</p> <p data-bbox="196 860 276 884"><b>Liquid:</b></p> <p data-bbox="196 887 632 913">Pumped liquid:                            Water</p> <p data-bbox="196 916 703 943">Liquid temperature range:            -20 .. 120 °C</p> <p data-bbox="196 945 632 972">Selected liquid temperature:        20 °C</p> <p data-bbox="196 974 695 1001">Density:                                    998.2 kg/m<sup>3</sup></p> <p data-bbox="196 1037 316 1061"><b>Technical:</b></p> <p data-bbox="196 1064 820 1090">Pump speed on which pump data are based:    2900 rpm</p> <p data-bbox="196 1093 655 1120">Rated flow:                                1.7 m<sup>3</sup>/h</p> <p data-bbox="196 1122 655 1149">Rated head:                                12.51 m</p> <p data-bbox="196 1151 636 1178">Code for shaft seal:                    AQQE</p> <p data-bbox="196 1180 655 1207">Approvals:                                CE,EAC</p> <p data-bbox="196 1209 834 1236">Approvals for drinking water:        WRAS,ACS,NSF61,UBA</p> <p data-bbox="196 1238 759 1265">Curve tolerance:                        ISO9906:2012 3B</p> <p data-bbox="196 1301 308 1326"><b>Materials:</b></p> <p data-bbox="196 1328 724 1420">Pump housing:                            Stainless steel EN 1.4401 AISI 316</p> <p data-bbox="196 1422 724 1514">Impeller:                                 Stainless steel EN 1.4401 AISI 316</p> <p data-bbox="196 1550 325 1574"><b>Installation:</b></p> <p data-bbox="196 1576 691 1603">Range of ambient temperature:       -20 .. 55 °C</p> <p data-bbox="196 1606 636 1632">Maximum operating pressure:        16 bar</p> <p data-bbox="196 1635 730 1688">Max pressure at stated temp:        16 bar / 90 °C 10 bar / 120 °C</p> <p data-bbox="196 1691 596 1718">Type of connection:                    Rp</p> <p data-bbox="196 1720 632 1747">Size of inlet connection:              1 inch</p> <p data-bbox="196 1749 632 1776">Size of outlet connection:            1 inch</p> <p data-bbox="196 1778 596 1805">Outlet position:                         12</p> <p data-bbox="196 1841 363 1865"><b>Electrical data:</b></p> <p data-bbox="196 1868 608 1895">Motor standard:                         IEC</p> <p data-bbox="196 1897 608 1924">Frame size:                                71A</p> <p data-bbox="196 1926 655 1953">Rated power - P2:                        0.46 kW</p> <p data-bbox="196 1955 632 1982">Mains frequency:                        50 Hz</p> <p data-bbox="196 1984 584 2011">Suitable for 50/60 Hz:                 N</p> <p data-bbox="196 2013 847 2040">Rated voltage:                            3 x 220-240D/380-415Y V</p> <p data-bbox="196 2042 608 2069">Service factor:                          1.00</p> <p data-bbox="196 2072 746 2098">Rated current:                            2,0-2,2/1,0-1,2 A</p>

Qty.	Description
1	<p>Starting current: 490-530 %  Rated speed: 2770-2820 rpm  Enclosure class (IEC 34-5): IP55  Insulation class (IEC 85): F  Built-in motor protection: NONE  Cable included (Yes/No): N</p> <p>Others:  Terminal box position: 12  Minimum efficiency index, MEI ≥: 0.68  Net weight: 11.6 kg  Gross weight: 14.1 kg  Danish VVS No.: 385210102  Finnish LVI No.: 4925765  Country of origin: HU  Custom tariff no.: 84139100</p>

# On request CM 1-2 A-R-G-E-AQQE F-A-A-N 50 Hz

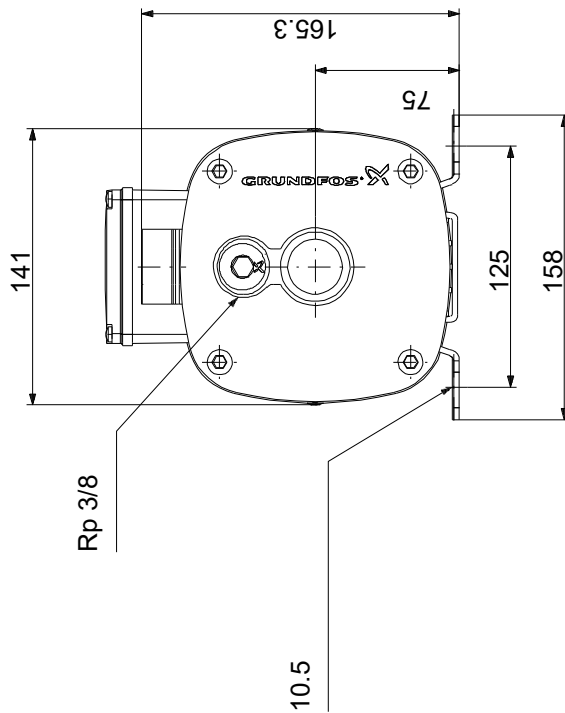
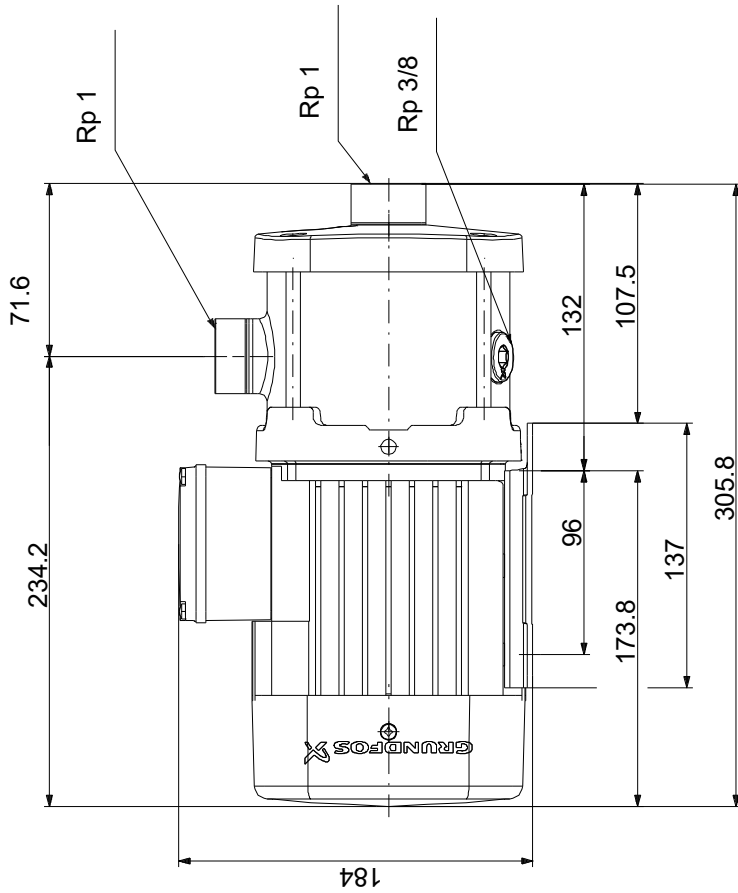


Description	Value
<b>General information:</b>	
Product name:	CM 1-2 A-R-G-E-AQQE F-A-A-N
Product No:	On request
EAN number:	On request
<b>Technical:</b>	
Pump speed on which pump data are based:	2900 rpm
Rated flow:	1.7 m <sup>3</sup> /h
Rated head:	12.51 m
Impellers:	2
Code for shaft seal:	AQQE
Approvals:	CE,EAC
Approvals for drinking water:	WRAS,ACS,NSF61,UBA
Curve tolerance:	ISO9906:2012 3B
Pump version:	A
Model:	A
<b>Materials:</b>	
Pump housing:	Stainless steel
Pump housing:	EN 1.4401
Pump housing:	AISI 316
Impeller:	Stainless steel
Impeller:	EN 1.4401
Impeller:	AISI 316
Material code:	G
Code for rubber:	E
<b>Installation:</b>	
Range of ambient temperature:	-20 .. 55 °C
Maximum operating pressure:	16 bar
Max pressure at stated temp:	16 bar / 90 °C
Max pressure at stated temp:	10 bar / 120 °C
Type of connection:	Rp
Size of inlet connection:	1 inch
Size of outlet connection:	1 inch
Outlet position:	12
Connect code:	R
<b>Liquid:</b>	
Pumped liquid:	Water
Liquid temperature range:	-20 .. 120 °C
Selected liquid temperature:	20 °C
Density:	998.2 kg/m <sup>3</sup>
<b>Electrical data:</b>	
Motor standard:	IEC
Frame size:	71A
Rated power - P2:	0.46 kW
Mains frequency:	50 Hz
Suitable for 50/60 Hz:	N
Rated voltage:	3 x 220-240D/380-415Y V
Service factor:	1.00
Rated current:	2,0-2,2/1,0-1,2 A
Starting current:	490-530 %
Rated speed:	2770-2820 rpm
Enclosure class (IEC 34-5):	IP55
Insulation class (IEC 85):	F
Built-in motor protection:	NONE
Cable included (Yes/No):	N
<b>Controls:</b>	
Frequency converter:	NONE
<b>Others:</b>	
Terminal box position:	12
Minimum efficiency index, MEI ≥:	0.68
Net weight:	11.6 kg
Gross weight:	14.1 kg
Danish VVS No.:	385210102



Description	Value
Finnish LVI No.:	4925765
Country of origin:	HU
Custom tariff no.:	84139100

# On request CM 1-2 A-R-G-E-AQQE F-A-A-N 50 Hz



Note! All units are in [mm] unless others are stated.  
 Disclaimer: This simplified dimensional drawing does not show all details.

On request CM 1-2 A-R-G-E-AQQE F-A-A-N 50 Hz



98.3169

Note! All units are in [mm] unless others are stated.

**Order Data:**

Position	Your pos.	Product name	Amount	Product No	Total
		CM 1-2	1	On request	Price on request