

**Qty. Description**1 **DPI/--0-1.0b/2/ C/M2.00-X/EG6/-B/02B/SD-1**

Note! Product picture may differ from actual product

Product No.: [97747195](#)

The transmitter is made of 1.4404 stainless steel.

**Liquid:**

Liquid temperature range: -30 .. 120 °C

**Technical:**

Approvals: EAC

Approvals for drinking water: WRAS, ACS

Pressure differential functionality = Yes/No: Y

Pressure relative functionality (Yes/No): N

Flow functionality (Yes/No): N

Temperature functionality (Yes/No): N

Minimum measuring pressure: 0 bar

Maximum measuring pressure: 1 bar

**Installation:**

Range of ambient temperature: -25 .. 60 °C

**Electrical data:**

Enclosure class (IEC 34-5): IP67

Length of cable: 2 m

Minimum rated voltage dc: 12.50 V

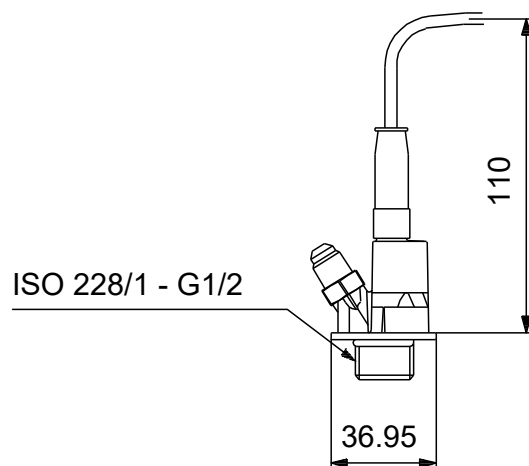
Maximum rated voltage dc: 30.00 V

**Others:**

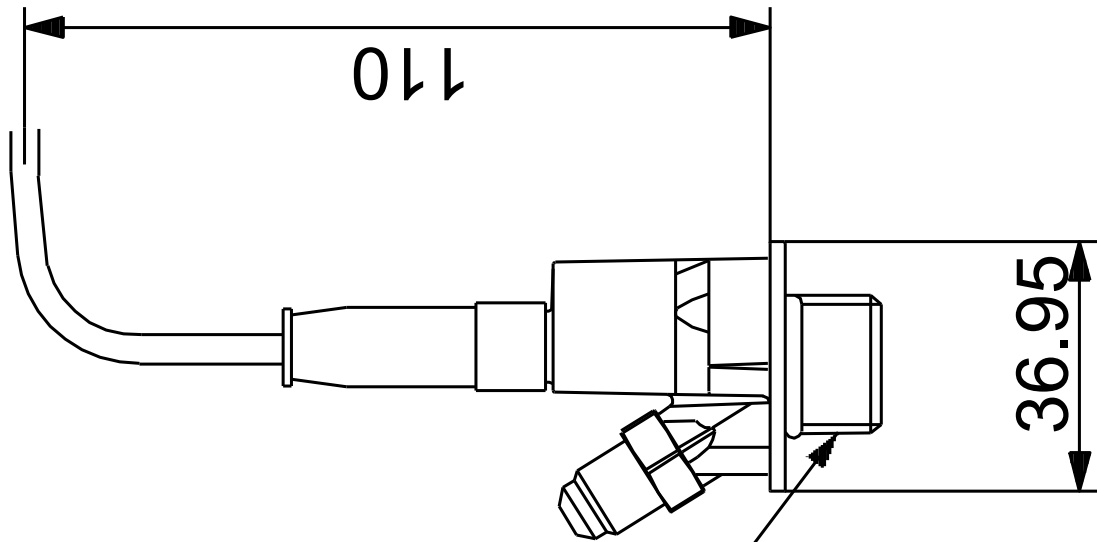
Danish VVS No.: 475274010

Finnish LVI No.: 4534519

Description	Value
<b>General information:</b>	
Product name:	DPI/--0-1.0b/2/ C/M2.00-X/EG6/-B/02B/SD-1
Product No:	97747195
EAN number:	5710623682754
<b>Technical:</b>	
Approvals:	EAC
Approvals for drinking water:	WRAS, ACS
Pressure differential functionality = Yes/No:	Y
Pressure relative functionality (Yes/No):	N
Flow functionality (Yes/No):	N
Temperature functionality (Yes/No):	N
Minimum measuring pressure:	0 bar
Maximum measuring pressure:	1 bar
<b>Installation:</b>	
Range of ambient temperature:	-25 .. 60 °C
<b>Liquid:</b>	
Liquid temperature range:	-30 .. 120 °C
<b>Electrical data:</b>	
Enclosure class (IEC 34-5):	IP67
Length of cable:	2 m
Minimum rated voltage dc:	12.50 V
Maximum rated voltage dc:	30.00 V
<b>Others:</b>	
Danish VVS No.:	475274010
Finnish LVI No.:	4534519



**97747195 DPI/--0-1.0b/2/ C/M2.00-X/EG6/-B/02B/SD-1**



ISO 228/1 - G1/2

Note! All units are in [mm] unless others are stated.  
Disclaimer: This simplified dimensional drawing does not show all details.

