

Qty. Description1 **DPI/---0-10b/2/ C/M2.00-X/EG6/-B/02B/SD-1**

Note! Product picture may differ from actual product

Product No.: [97747200](#)

The transmitter is made of 1.4404 stainless steel.

Liquid:

Liquid temperature range: -30 .. 120 °C

Technical:

Approvals: EAC

Approvals for drinking water: WRAS, ACS

Pressure differential functionality = Yes/No: Y

Pressure relative functionality (Yes/No): N

Flow functionality (Yes/No): N

Temperature functionality (Yes/No): N

Minimum measuring pressure: 0 bar

Maximum measuring pressure: 10 bar

Installation:

Range of ambient temperature: -25 .. 60 °C

Electrical data:

Enclosure class (IEC 34-5): IP67

Length of cable: 2 m

Minimum rated voltage dc: 12.50 V

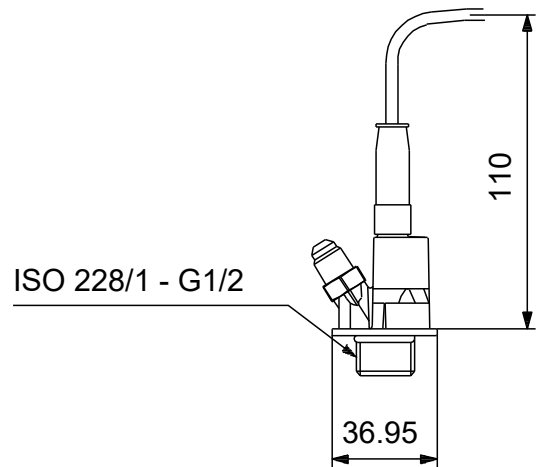
Maximum rated voltage dc: 30.00 V

Others:

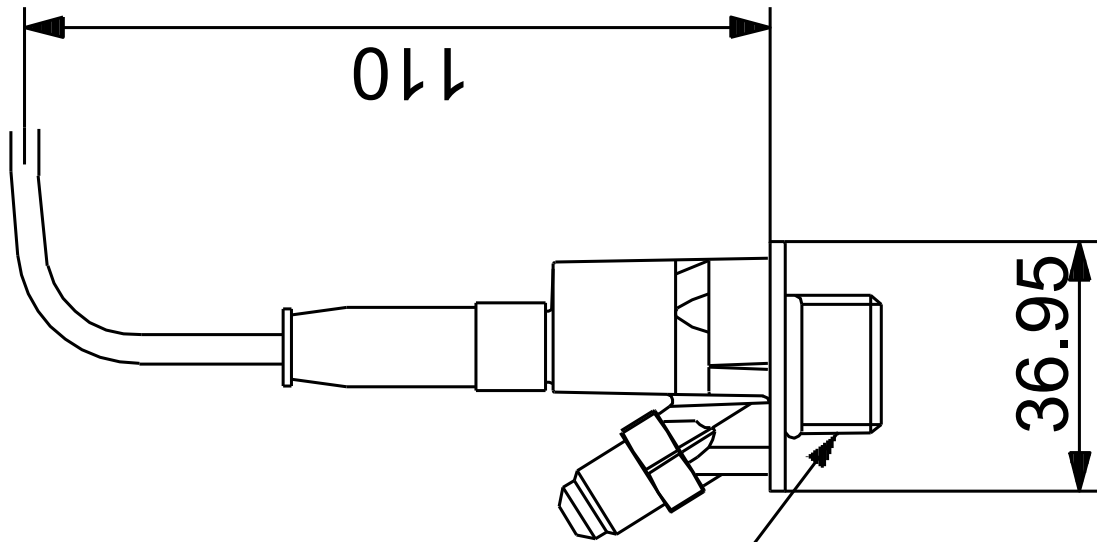
Danish VVS No.: 475274100

Finnish LVI No.: 4534524

Description	Value
General information:	
Product name:	DPI/---0-10b/2/ C/M2.00-X/EG6/-B/02B/SD-1
Product No:	97747200
EAN number:	5710623682808
Technical:	
Approvals:	EAC
Approvals for drinking water:	WRAS, ACS
Pressure differential functionality = Yes/No:	Y
Pressure relative functionality (Yes/No):	N
Flow functionality (Yes/No):	N
Temperature functionality (Yes/No):	N
Minimum measuring pressure:	0 bar
Maximum measuring pressure:	10 bar
Installation:	
Range of ambient temperature:	-25 .. 60 °C
Liquid:	
Liquid temperature range:	-30 .. 120 °C
Electrical data:	
Enclosure class (IEC 34-5):	IP67
Length of cable:	2 m
Minimum rated voltage dc:	12.50 V
Maximum rated voltage dc:	30.00 V
Others:	
Danish VVS No.:	475274100
Finnish LVI No.:	4534524



97747200 DPI/---0-10b/2/ C/M2.00-X/EG6/-B/02B/SD-1



ISO 228/1 - G1/2

Note! All units are in [mm] unless others are stated.
Disclaimer: This simplified dimensional drawing does not show all details.

