

Qty. Description

1 DPI--0-0.6b/2/ F/M2.00-X/EG6/-B/02B/SD-1



Note! Product picture may differ from actual product

Product No.: [97747202](#)

The transmitter is made of 1.4404 stainless steel.

Liquid:

Liquid temperature range: -30 .. 120 °C

Technical:

Approvals: EAC

Approvals for drinking water: WRAS, ACS

Pressure differential functionality = Yes/No: Y

Pressure relative functionality (Yes/No): N

Flow functionality (Yes/No): N

Temperature functionality (Yes/No): Y

Minimum measuring pressure: 0 bar

Maximum measuring pressure: 0.6 bar

Minimum measuring temperature: 0 °C

Maximum measuring temperature: 100 °C

Installation:

Range of ambient temperature: -25 .. 60 °C

Electrical data:

Enclosure class (IEC 34-5): IP67

Length of cable: 2 m

Minimum rated voltage dc: 16.60 V

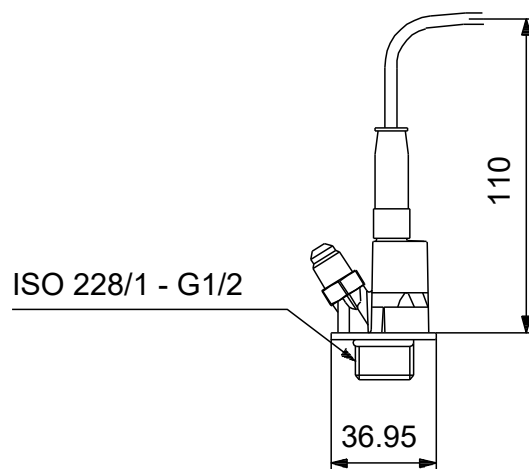
Maximum rated voltage dc: 30.00 V

Others:

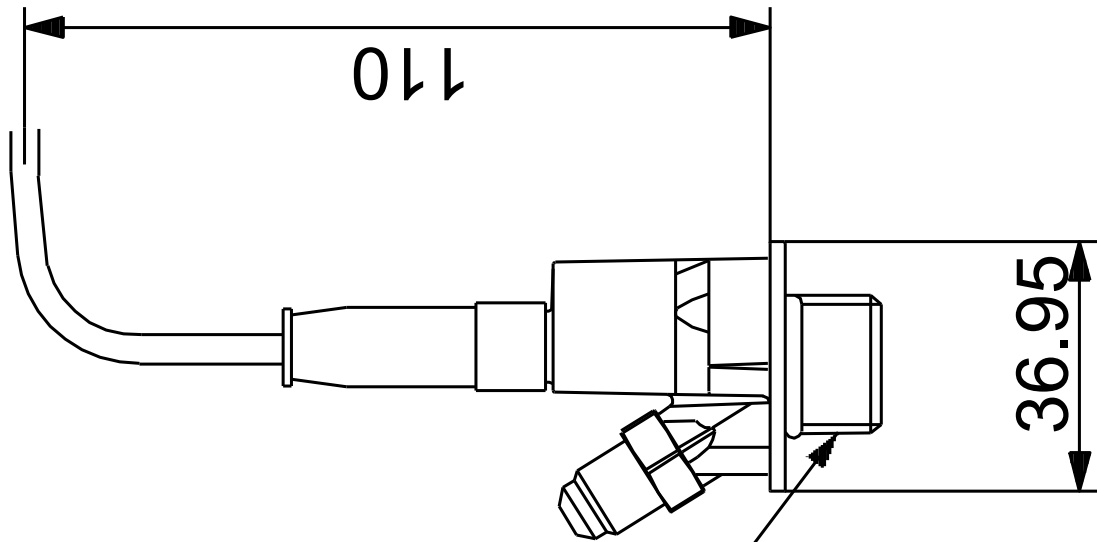
Danish VVS No.: 475274206

Finnish LVI No.: 4534525

Description	Value
General information:	
Product name:	DPI/--0-0.6b/2/ F/M2.00-X/EG6/-B/02B/SD-1
Product No:	97747202
EAN number:	5710623682822
Technical:	
Approvals:	EAC
Approvals for drinking water:	WRAS, ACS
Pressure differential functionality = Yes/No:	Y
Pressure relative functionality (Yes/No):	N
Flow functionality (Yes/No):	N
Temperature functionality (Yes/No):	Y
Minimum measuring pressure:	0 bar
Maximum measuring pressure:	0.6 bar
Minimum measuring temperature:	0 °C
Maximum measuring temperature:	100 °C
Installation:	
Range of ambient temperature:	-25 .. 60 °C
Liquid:	
Liquid temperature range:	-30 .. 120 °C
Electrical data:	
Enclosure class (IEC 34-5):	IP67
Length of cable:	2 m
Minimum rated voltage dc:	16.60 V
Maximum rated voltage dc:	30.00 V
Others:	
Danish VVS No.:	475274206
Finnish LVI No.:	4534525



97747202 DPI/--0-0.6b/2/ F/M2.00-X/EG6/-B/02B/SD-1



ISO 228/1 - G1/2

Note! All units are in [mm] unless others are stated.
Disclaimer: This simplified dimensional drawing does not show all details.



Company name:
Created by:
Phone:

Date: 30/12/2022

Order Data:

Position	Your pos.	Product name	Amount	Product No	Total
		DPI/--0-0.6b/2/	1	97747202	Price on request