

Qty. Description

1 DPI/--0-0.6b/2/ C/M2.00-X/VG6/-B/02B/SD-1



Note! Product picture may differ from actual product

Product No.: [97747215](#)

The transmitter is made of 1.4404 stainless steel.

Liquid:

Liquid temperature range: -30 .. 120 °C

Technical:

Approvals: EAC

Pressure differential functionality = Yes/No: Y

Pressure relative functionality (Yes/No): N

Flow functionality (Yes/No): N

Temperature functionality (Yes/No): N

Minimum measuring pressure: 0 bar

Maximum measuring pressure: 0.6 bar

Installation:

Range of ambient temperature: -25 .. 60 °C

Electrical data:

Enclosure class (IEC 34-5): IP67

Length of cable: 2 m

Minimum rated voltage dc: 12.50 V

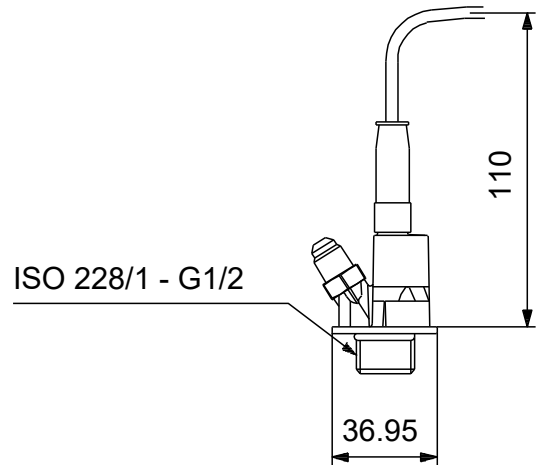
Maximum rated voltage dc: 30.00 V

Others:

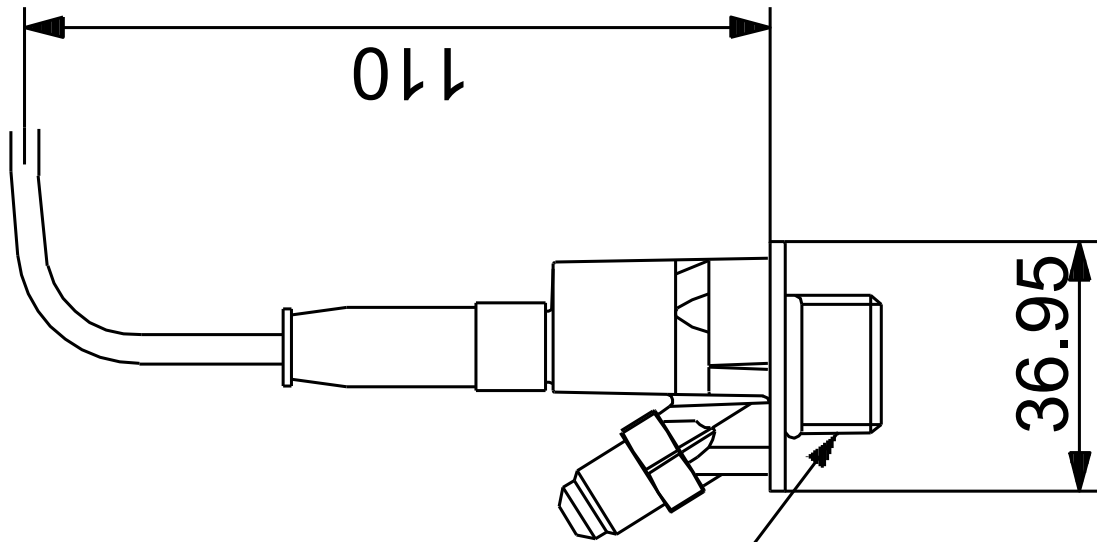
Danish VVS No.: 475274406

Finnish LVI No.: 4534531

| Description | Value |
|--|---|
| General information: | |
| Product name: | DPI--0-0.6b/2/ C/M2.00-X/VG6/-B/02B/SD-1 |
| Product No: | 97747215 |
| EAN number: | 5710623683119 |
| Technical: | |
| Approvals: | EAC |
| Pressure differential functionality = Yes/No: | Y |
| Pressure relative functionality (Yes/No): | N |
| Flow functionality (Yes/No): | N |
| Temperature functionality (Yes/No): | N |
| Minimum measuring pressure: | 0 bar |
| Maximum measuring pressure: | 0.6 bar |
| Installation: | |
| Range of ambient temperature: | -25 .. 60 °C |
| Liquid: | |
| Liquid temperature range: | -30 .. 120 °C |
| Electrical data: | |
| Enclosure class (IEC 34-5): | IP67 |
| Length of cable: | 2 m |
| Minimum rated voltage dc: | 12.50 V |
| Maximum rated voltage dc: | 30.00 V |
| Others: | |
| Danish VVS No.: | 475274406 |
| Finnish LVI No.: | 4534531 |



97747215 DPI/--0-0.6b/2/ C/M2.00-X/VG6/-B/02B/SD-1



ISO 228/1 - G1/2

Note! All units are in [mm] unless others are stated.
Disclaimer: This simplified dimensional drawing does not show all details.

