

Qty. Description

1 RPI--0-1.6b/1/ C/M2.00-X/EG6/--/--/SC-1



Note! Product picture may differ from actual product

Product No.: [97748909](#)

The transmitter is made of 1.4404 stainless steel.

Liquid:

Liquid temperature range: -30 .. 120 °C

Technical:

Approvals: CCSAUS, EAC

Approvals for drinking water: AS4020, WRAS, ACS, NSF 61

Pressure differential functionality = Yes/No: N

Pressure relative functionality (Yes/No): Y

Flow functionality (Yes/No): N

Temperature functionality (Yes/No): N

Minimum measuring pressure: 0 bar

Maximum measuring pressure: 1.6 bar

Installation:

Range of ambient temperature: -25 .. 60 °C

Electrical data:

Enclosure class (IEC 34-5): IP67

Length of cable: 2 m

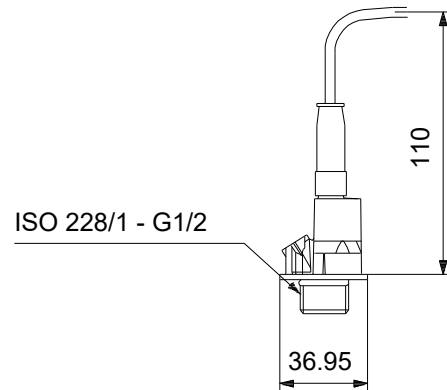
Minimum rated voltage dc: 12.50 V

Maximum rated voltage dc: 30.00 V

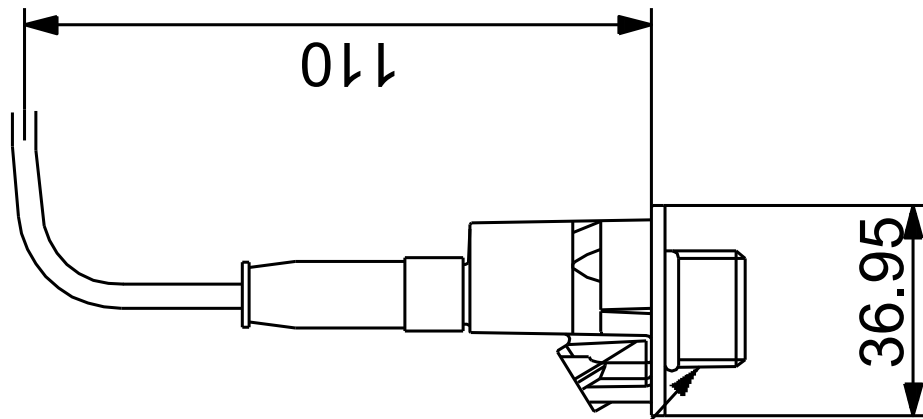
Others:

Danish VVS No.: 475270016

Description	Value
General information:	
Product name:	RPI--0-1.6b/1/ C/M2.00-X/EG6/--/--/SC-1
Product No:	97748909
EAN number:	5710623704708
Technical:	
Approvals:	CCSAUS, EAC
Approvals for drinking water:	AS4020, WRAS, ACS, NSF 61
Pressure differential functionality = Yes/No:	N
Pressure relative functionality (Yes/No):	Y
Flow functionality (Yes/No):	N
Temperature functionality (Yes/No):	N
Minimum measuring pressure:	0 bar
Maximum measuring pressure:	1.6 bar
Installation:	
Range of ambient temperature:	-25 .. 60 °C
Liquid:	
Liquid temperature range:	-30 .. 120 °C
Electrical data:	
Enclosure class (IEC 34-5):	IP67
Length of cable:	2 m
Minimum rated voltage dc:	12.50 V
Maximum rated voltage dc:	30.00 V
Others:	
Danish VVS No.:	475270016



97748909 RPI/--0-1.6b/1/ C/M2.00-X/EG6/--/---/SC-1



ISO 228/1 - G1/2

Note! All units are in [mm] unless others are stated.
Disclaimer: This simplified dimensional drawing does not show all details.

