

Qty. Description

1 RPI/---0-25b/1/ C/M2.00-X/VG6/--/--/SC-1



Note! Product picture may differ from actual product

Product No.: [97748956](#)

The transmitter is made of 1.4404 stainless steel.

Liquid:
Liquid temperature range: -30 .. 120 °C

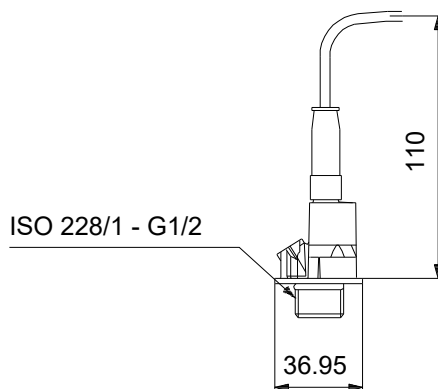
Technical:
Approvals: CCSAUS, EAC
Pressure differential functionality = Yes/No: N
Pressure relative functionality (Yes/No): Y
Flow functionality (Yes/No): N
Temperature functionality (Yes/No): N
Minimum measuring pressure: 0 bar
Maximum measuring pressure: 25 bar

Installation:
Range of ambient temperature: -25 .. 60 °C

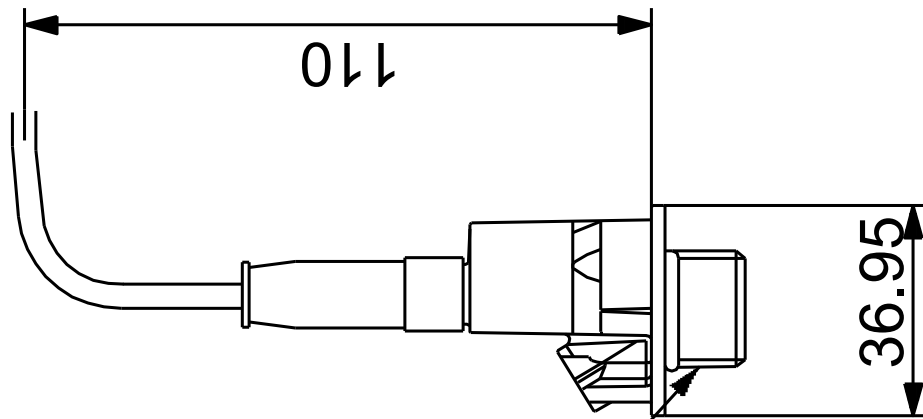
Electrical data:
Enclosure class (IEC 34-5): IP67
Length of cable: 2 m
Minimum rated voltage dc: 12.50 V
Maximum rated voltage dc: 30.00 V

Others:
Danish VVS No.: 475270525

| Description | Value |
|--------------------------------------------------|--------------------------------------------|
| General information: | |
| Product name: | RPI/--0-25b/1/ C/M2.00-X/VG6/--/--/SC-1 |
| Product No: | 97748956 |
| EAN number: | 5710623705200 |
| Technical: | |
| Approvals: | CCSAUS, EAC |
| Pressure differential functionality = Yes/No: | N |
| Pressure relative functionality (Yes/No): | Y |
| Flow functionality (Yes/No): | N |
| Temperature functionality (Yes/No): | N |
| Minimum measuring pressure: | 0 bar |
| Maximum measuring pressure: | 25 bar |
| Installation: | |
| Range of ambient temperature: | -25 .. 60 °C |
| Liquid: | |
| Liquid temperature range: | -30 .. 120 °C |
| Electrical data: | |
| Enclosure class (IEC 34-5): | IP67 |
| Length of cable: | 2 m |
| Minimum rated voltage dc: | 12.50 V |
| Maximum rated voltage dc: | 30.00 V |
| Others: | |
| Danish VVS No.: | 475270525 |



97748956 RPI/---0-25b/1/ C/M2.00-X/VG6/--/--/SC-1



ISO 228/1 - G1/2

Note! All units are in [mm] unless others are stated.
Disclaimer: This simplified dimensional drawing does not show all details.

