

Qty.	Description
------	-------------

1	Sine-wave filter
---	------------------



Note! Product picture may differ from actual product

Product No.: [97774436](#)

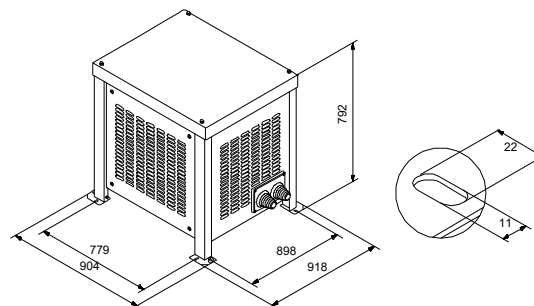
Sine wave filters have a high degree of filtering, resulting in a high reduction of the stress on the motor insulation system. At the same time, they reduce the acoustic noise from the motor.

Motor losses are reduced due to the fact that a sine-wave filter converts the output pulses of the frequency converter into a sine-wave-shaped current. The result is a sine-wave-shaped current and reduced motor noise.

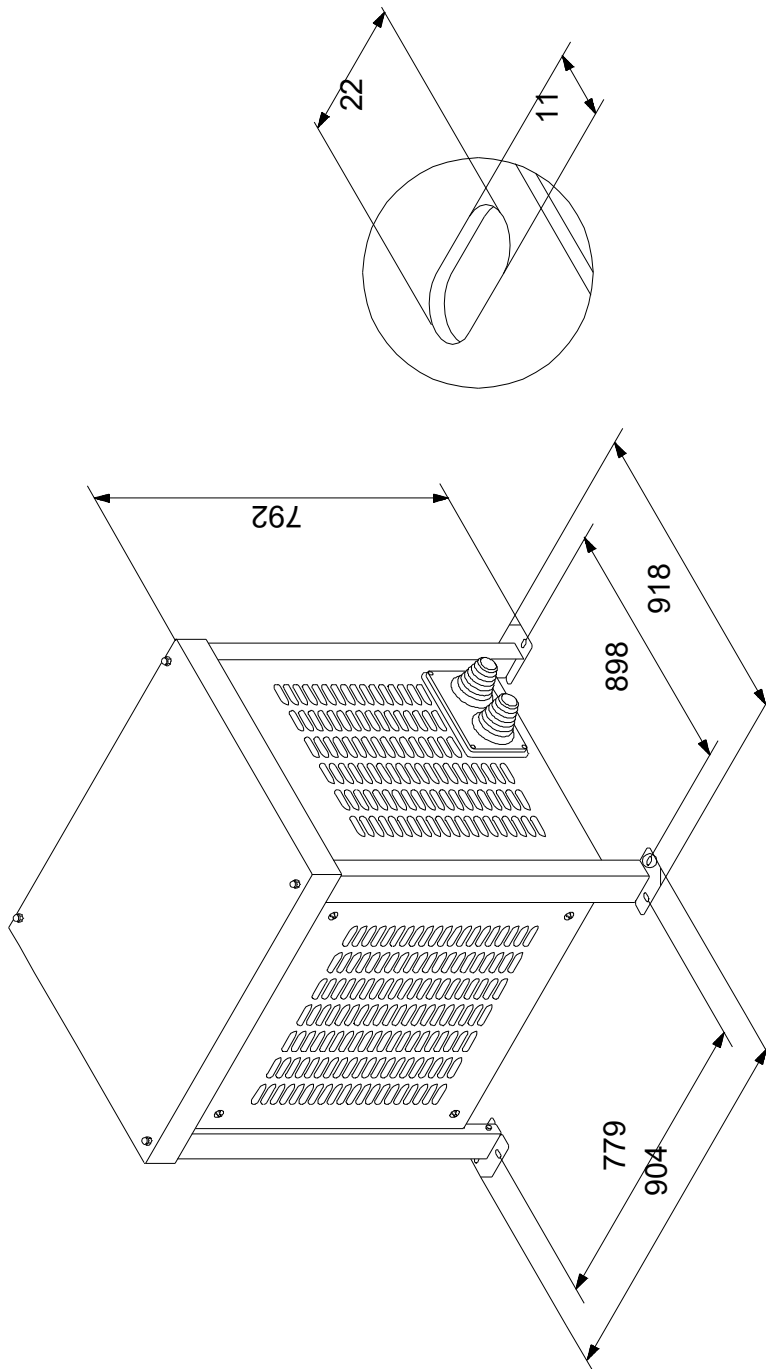
Maximum cable length with sine-wave filter is 300 m.

Output filters are used for reducing the voltage stress on the motor windings and the stress on the motor insulation system as well as for decreasing acoustic noise from a frequency-controlled motor.

Description	Value
General information:	
Product name:	Sine-wave filter
Product No:	97774436
EAN number:	5710624160251
Installation:	
Mounted on:	Floor
Electrical data:	
Mains frequency:	50 Hz
Rated voltage:	x 200-500 V
Rated current:	115 A
Rated current at 100 Hz:	86 A
Enclosure class (IEC 34-5):	IP23
Inductor loss:	470 W
Others:	
Net weight:	205 kg
Danish VVS No.:	382997115



97774436 Sine-wave filter 50 Hz



Note! All units are in [mm] unless others are stated.
Disclaimer: This simplified dimensional drawing does not show all details.



Company name: Pump Sales Direct

Created by:

Phone:

Date: 15/06/2022

Order Data:

Product name: Sine-wave filter

Amount: 1

Product No: 97774436

Total: Price on request
