

Qty. Description

1 MAGNA3 40-40 F



Note! Product picture may differ from actual product

Product No.: On request

The Grundfos MAGNA3 circulator pump is the ideal choice for almost any building project – old or new. With its unrivalled energy efficiency, all-encompassing range and built-in communication capabilities, MAGNA3 is ideal for engineers and specifiers looking to create high-performance heating and cooling systems.

The pump is maintenance-free due to the canned-rotor type design. This also means that pump and motor form an integral unit without shaft seal and with only two gaskets for sealing. The bearings are lubricated by the pumped liquid.

MAGNA3 features an intuitive display and allows you to connect wirelessly with the Grundfos GO Remote app, giving you access to advanced reporting and monitoring.

The pump includes fieldbus communication via CIM modules as well as analog and digital inputs and configurable relays.

Control features include AUTOADAPT and FLOWADAPT. FLOWADAPT which reduces the need for throttling valves, thus cutting costs on system components.

MAGNA3 is the superior choice for a wide range of heating and cooling applications, including:

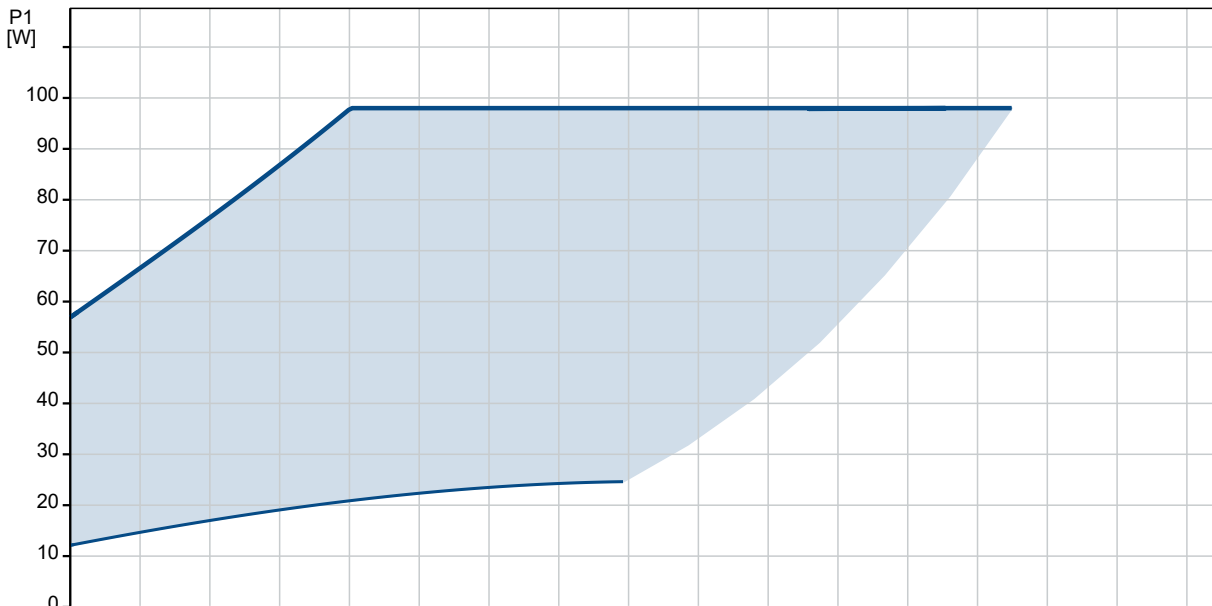
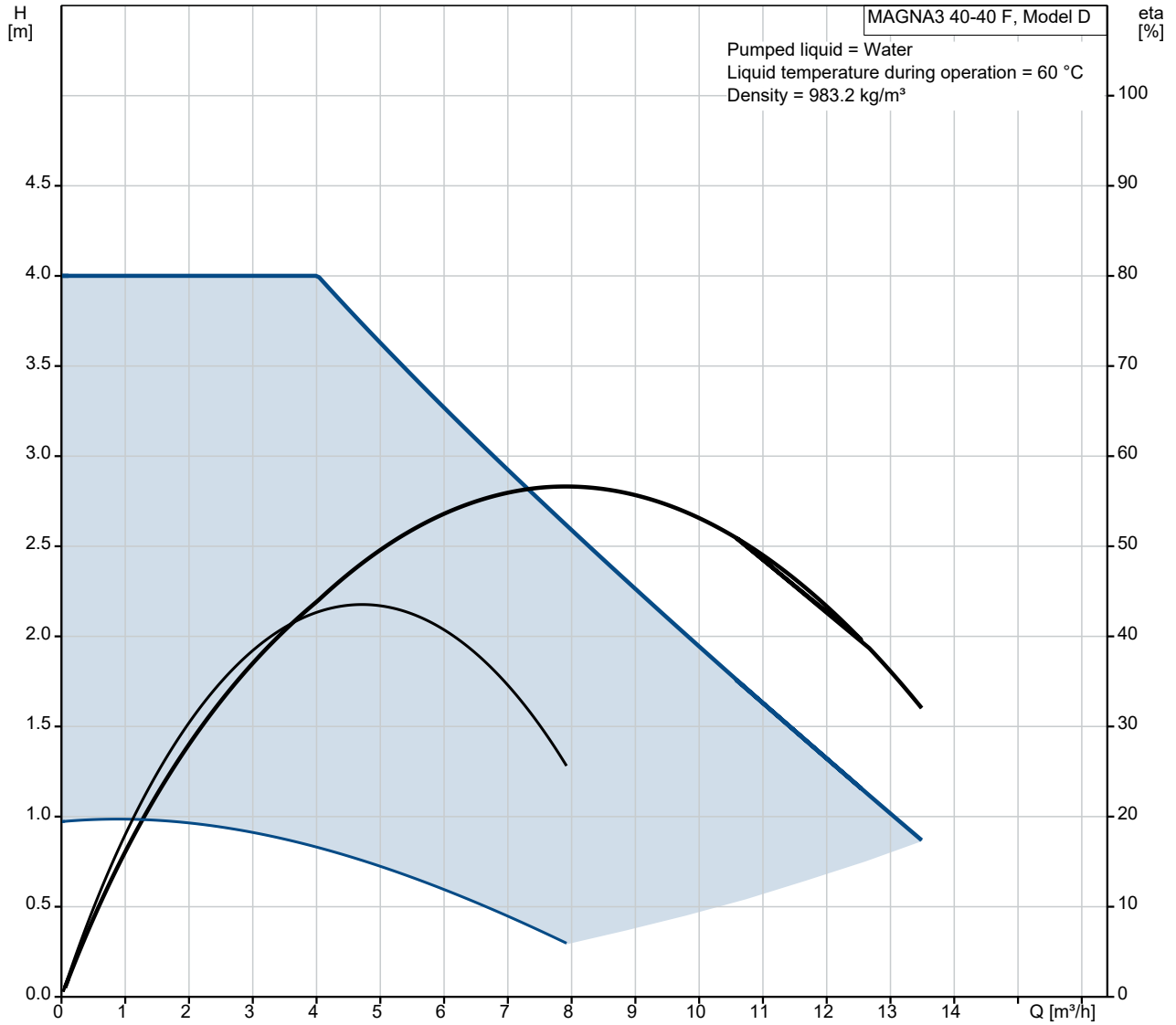
- Mixing loops
- Heating surfaces
- Air conditioning surfaces
- Ground-source heat pump systems
- Smaller chiller applications.

MAGNA3 is a single-phase pump and characterised by having the controller and control display integrated in the control box. The pump also has a built-in differential-pressure and temperature sensor.

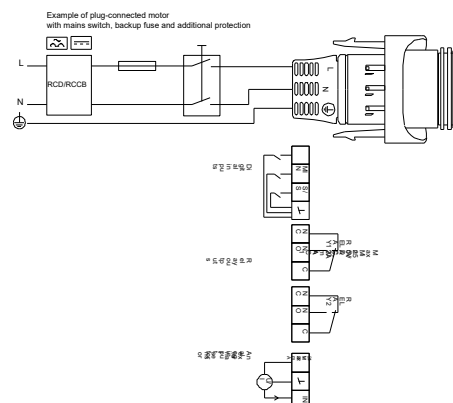
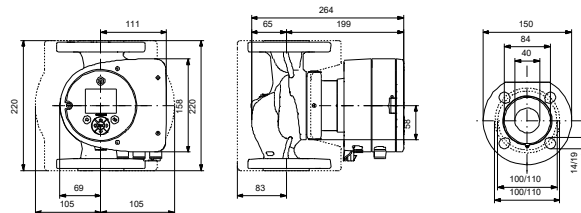
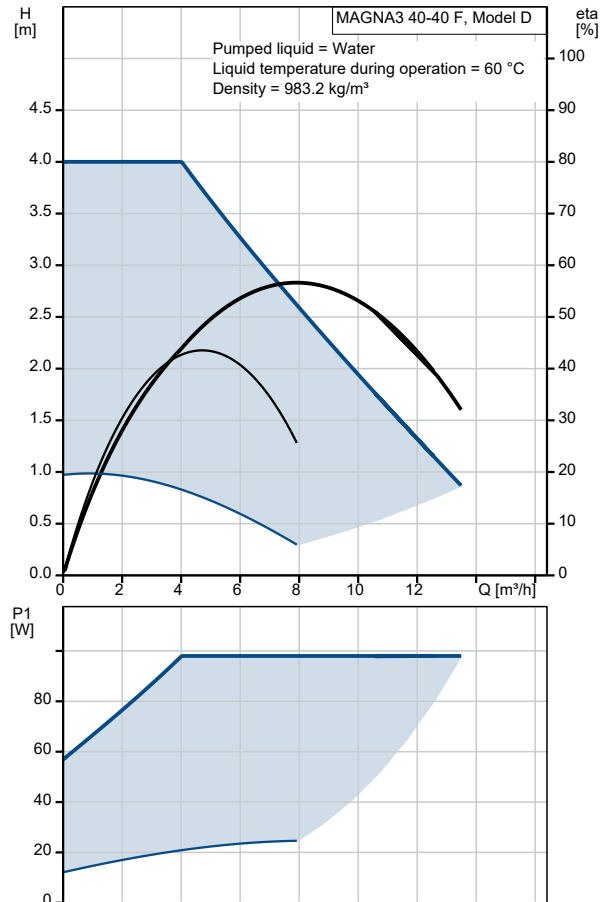
The pump housing is available in both cast-iron and stainless-steel versions. The composite rotor can is carbon-fibre reinforced, the bearing plate and rotor cladding are made of stainless steel and the stator housing is made of aluminium. The power electronics are air-cooled.

MAGNA3 incorporates a 4-pole synchronous, permanent-magnet motor (PM motor). This motor type is characterised by higher efficiency than a conventional asynchronous squirrel-cage motor. The pump speed is controlled by an integrated frequency converter.

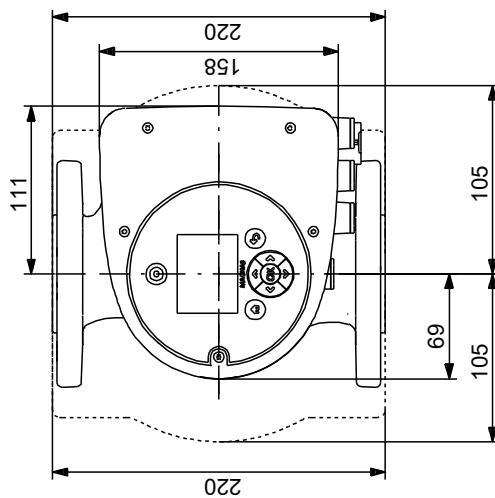
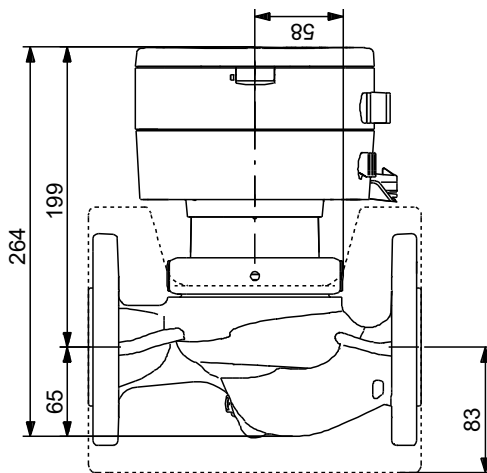
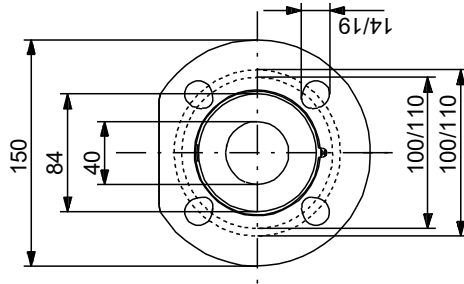
## On request MAGNA3 40-40 F



| Description                   | Value                       |
|-------------------------------|-----------------------------|
| <b>General information:</b>   |                             |
| Product name:                 | MAGNA3 40-40 F              |
| Product No:                   | On request                  |
| EAN number:                   | On request                  |
| <b>Technical:</b>             |                             |
| Rated flow:                   | 7.99 m <sup>3</sup> /h      |
| Rated head:                   | 2.59 m                      |
| Head max:                     | 40 dm                       |
| TF class:                     | 110                         |
| Approvals on nameplate:       | CE, VDE, EAC, CN ROHS, WEEE |
| Model:                        | D                           |
| <b>Materials:</b>             |                             |
| Pump housing:                 | Cast iron                   |
| Pump housing:                 | EN-GJL-250                  |
| Pump housing:                 | ASTM A48-250B               |
| Impeller:                     | PES 30%GF                   |
| <b>Installation:</b>          |                             |
| Range of ambient temperature: | 0 .. 40 °C                  |
| Maximum operating pressure:   | 10 bar                      |
| Flange standard:              | DIN                         |
| Pipe connection:              | DN 40                       |
| Pressure rating:              | PN 6/10                     |
| Port-to-port length:          | 220 mm                      |
| <b>Liquid:</b>                |                             |
| Pumped liquid:                | Water                       |
| Liquid temperature range:     | -10 .. 110 °C               |
| Selected liquid temperature:  | 60 °C                       |
| Density:                      | 983.2 kg/m <sup>3</sup>     |
| <b>Electrical data:</b>       |                             |
| Power input - P1:             | 12 .. 98 W                  |
| Mains frequency:              | 50 / 60 Hz                  |
| Rated voltage:                | 1 x 230 V                   |
| Maximum current consumption:  | 0.11 .. 0.87 A              |
| Enclosure class (IEC 34-5):   | X4D                         |
| Insulation class (IEC 85):    | F                           |
| <b>Others:</b>                |                             |
| Energy (EEL):                 | 0.18                        |
| Net weight:                   | 9.93 kg                     |
| Gross weight:                 | 10.7 kg                     |
| Shipping volume:              | 0.019 m <sup>3</sup>        |
| Danish VVS No.:               | 380792041                   |
| Swedish RSK No.:              | 5732583                     |
| Finnish LVI No.:              | 4615361                     |
| Norwegian NRF no.:            | 9042339                     |

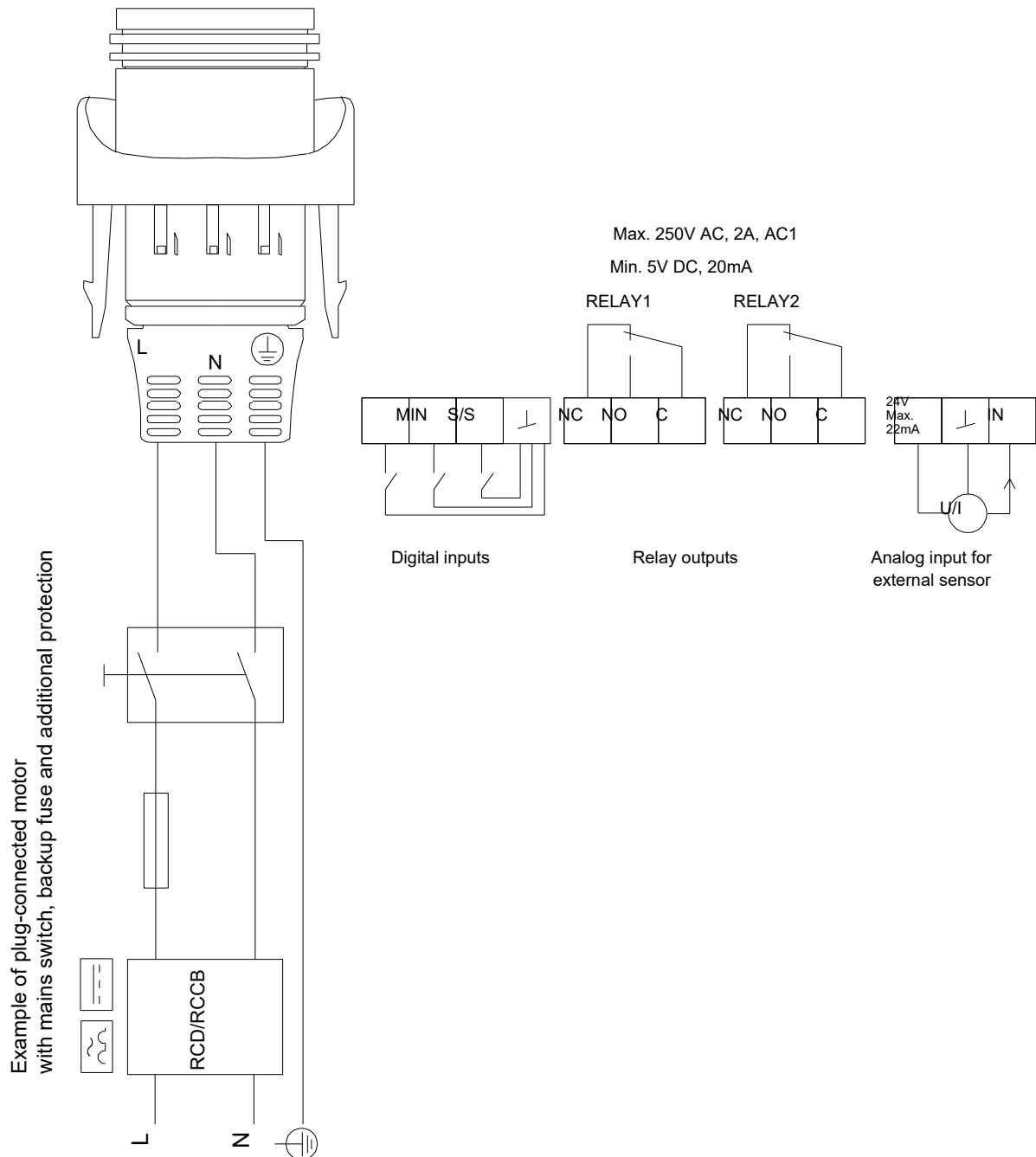


## On request MAGNA3 40-40 F



Note! All units are in [mm] unless others are stated.  
Disclaimer: This simplified dimensional drawing does not show all details.

## On request MAGNA3 40-40 F



Note! All units are in [mm] unless others are stated.