

Qty. Description

1 MTA 60-180 A-W-A-T



Note! Product picture may differ from actual product

Product No.: [97989187](#)

Low pressure immersible centrifugal pump for installation, in filtering systems or conveyer systems in the machine tool industry.

The pump has the following characteristics:

- The pump is closed-coupled without shaft seal.
- The pump is fitted with a 3-phase integrated motor.
- Open impeller allows particles to pass through pump
- Impeller is made of PAA GF50.
- Motor stool and pump housing are made of cast iron.
- The pump has no wearing parts.

Immersion depth: 175 mmmm

Liquid:

Pumped liquid: Water
 Liquid temperature range: 0 .. 60 °C
 Selected liquid temperature: 20 °C
 Density: 998.2 kg/m³

Technical:

Rated flow: 50 l/min
 Rated head: 5.3 m
 Approvals: CE
 Cable entry: 22

Materials:

Pump housing: Cast iron
 DIN W.-Nr. GG20
 ASTM A48-CL30
 Impeller: PAA GF50

Installation:

t max amb: 40 °C
 Pump outlet: G 3/4
 Port-to-port length: 175 mm

Electrical data:

Power input - P1: 200 W
 Mains frequency: 50 Hz
 Rated voltage: 3 x 220-240D/380-415Y V
 Service factor: 1.15
 Rated current: 0.69/0.42 A
 Starting current: 480 %
 Rated speed: 2932 rpm
 Motor efficiency at full load: 78.1 %
 Enclosure class (IEC 34-5): IP54



Company name:

Created by:

Phone:

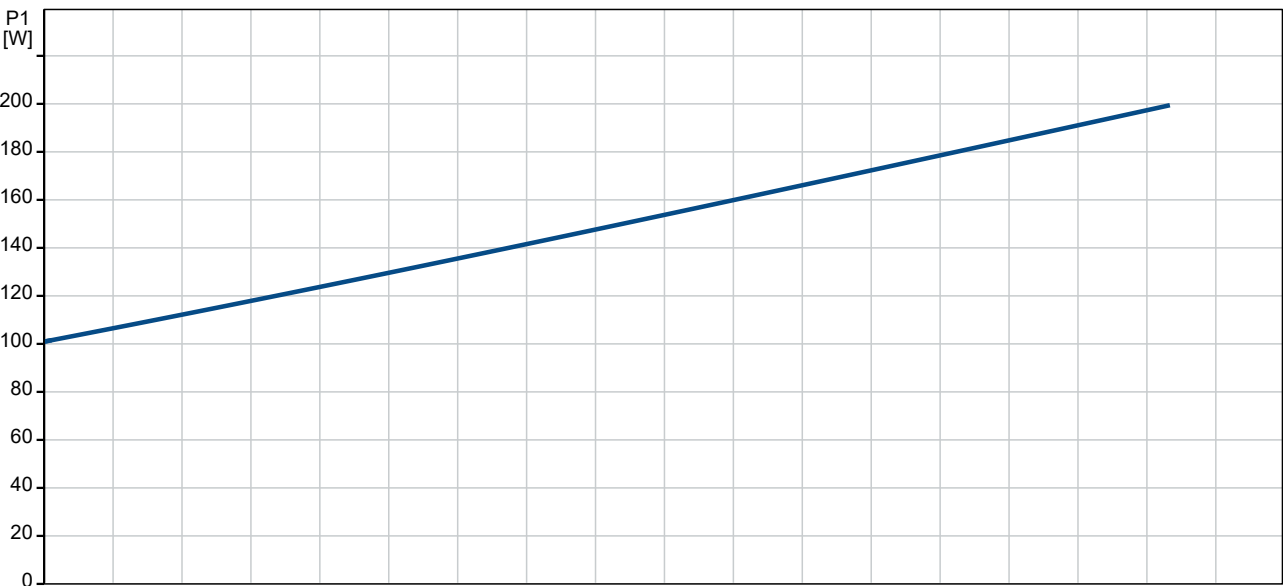
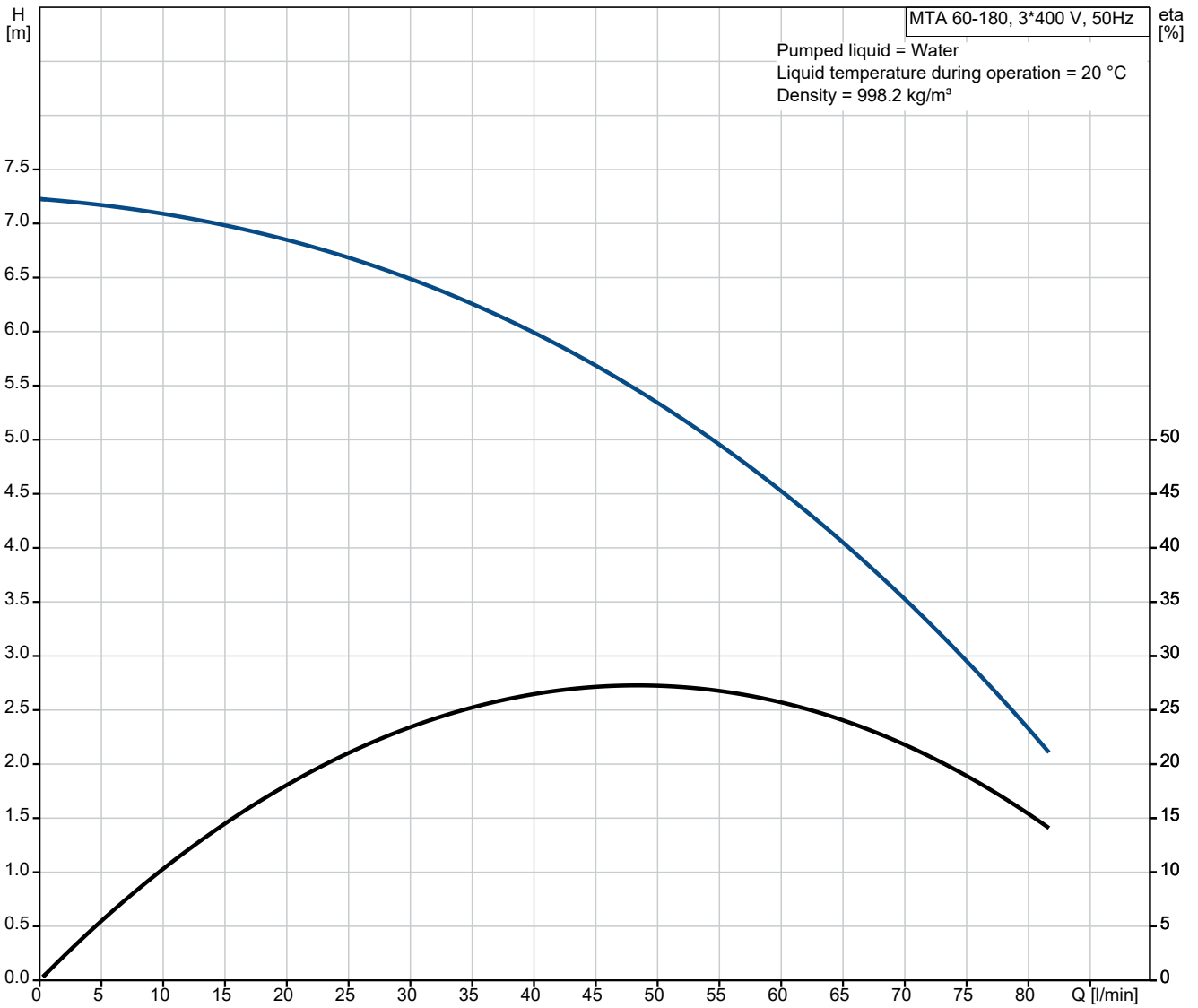
Date:

21/11/2022

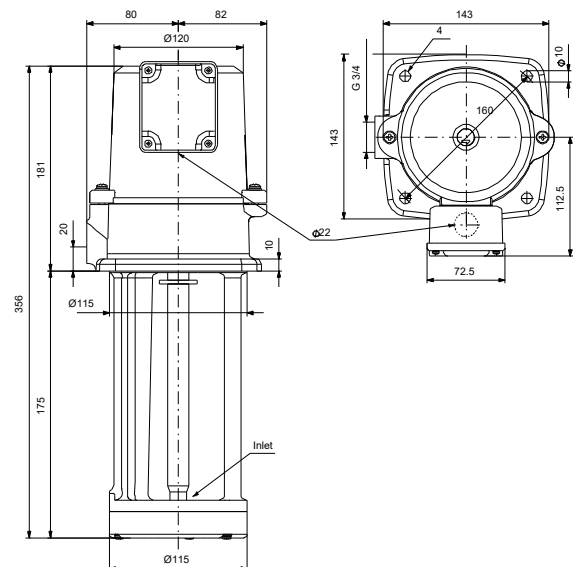
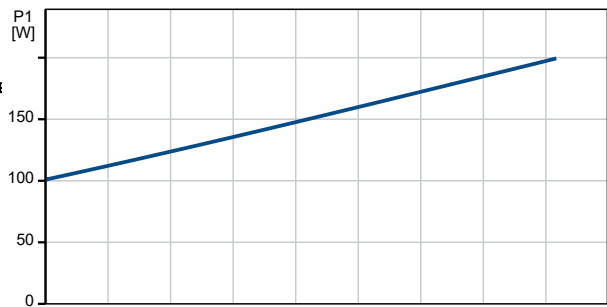
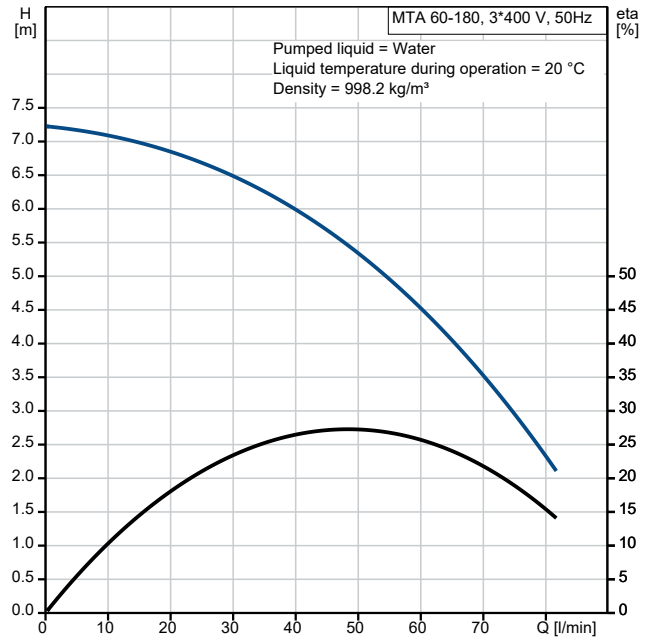
Qty.	Description
------	-------------

1	Insulation class (IEC 85): F
	Others:
	Net weight: 11.1 kg
	Gross weight: 12.2 kg
	Shipping volume: 0.02 m ³

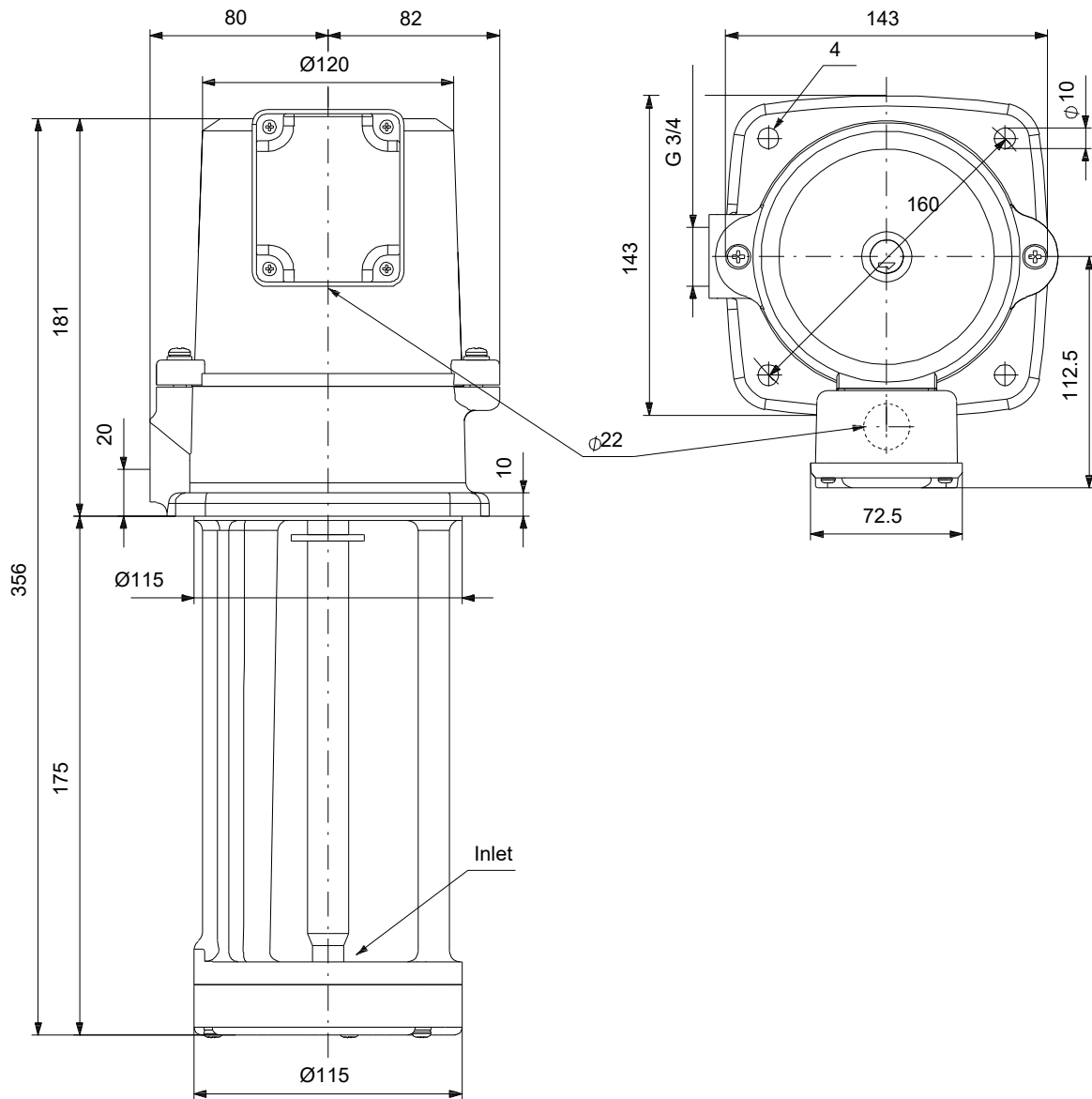
97989187 MTA 60-180 A-W-A-T 50 Hz



Description	Value
General information:	
Product name:	MTA 60-180 A-W-A-T
Product No:	97989187
EAN number:	5710627480608
Technical:	
Rated flow:	50 l/min
Rated head:	5.3 m
Head max:	7.4 m
Approvals:	CE
Pump version:	A
Model:	A
Cable entry:	22
Materials:	
Pump housing:	Cast iron
Pump housing:	DIN W.-Nr. GG20
Pump housing:	ASTM A48-CL30
Impeller:	PAA GF50
Material code:	A
Installation:	
t max amb:	40 °C
Pump outlet:	G 3/4
Port-to-port length:	175 mm
Connect code:	W
Liquid:	
Pumped liquid:	Water
Liquid temperature range:	0 .. 60 °C
Selected liquid temperature:	20 °C
Density:	998.2 kg/m ³
Electrical data:	
Power input - P1:	200 W
Mains frequency:	50 Hz
Rated voltage:	3 x 220-240D/380-415Y V
Service factor:	1.15
Rated current:	0.69/0.42 A
Starting current:	480 %
Rated speed:	2932 rpm
Motor efficiency at full load:	78.1 %
Enclosure class (IEC 34-5):	IP54
Insulation class (IEC 85):	F
Built-in motor protection:	NO
Controls:	
Pos term box:	9
Others:	
Net weight:	11.1 kg
Gross weight:	12.2 kg
Shipping volume:	0.02 m ³



97989187 MTA 60-180 A-W-A-T 50 Hz



Note! All units are in [mm] unless others are stated.
Disclaimer: This simplified dimensional drawing does not show all details.

