

Qty. Description

1 MTA 70H-250 A-W-B-T



Note! Product picture may differ from actual product

Product No.: [97989303](#)

Low pressure immersible centrifugal pump for installation, in filtering systems or conveyer systems in the machine tool industry.

The pump has the following characteristics:

- The pump is closed-coupled without shaft seal.
- The pump is fitted with a 3-phase integrated motor.
- Open impeller allows particles to pass through pump
- Impeller is made of Bronze.
- Motor stool and pump housing are made of cast iron.
- The pump has no wearing parts.

Immersion depth: 250 mmmm

Liquid:

Pumped liquid: Water
 Liquid temperature range: 0 .. 60 °C
 Selected liquid temperature: 20 °C
 Density: 998.2 kg/m³

Technical:

Rated flow: 60 l/min
 Rated head: 7.5 m
 Approvals: CE
 Cable entry: 22

Materials:

Pump housing: Cast iron
 DIN W.-Nr. GG20
 ASTM A48-CL30
 Impeller: Bronze
 DIN W.-Nr. G-CuZn-5ZnPb
 AISI C92200

Installation:

t max amb: 40 °C
 Pump outlet: G 3/4
 Port-to-port length: 250 mm

Electrical data:

Power input - P1: 281 W
 Mains frequency: 50 Hz
 Rated voltage: 3 x 220-240D/380-415Y V
 Service factor: 1.15
 Rated current: 1.02/0.59 A
 Starting current: 480 %
 Rated speed: 2955 rpm



Company name:

Created by:

Phone:

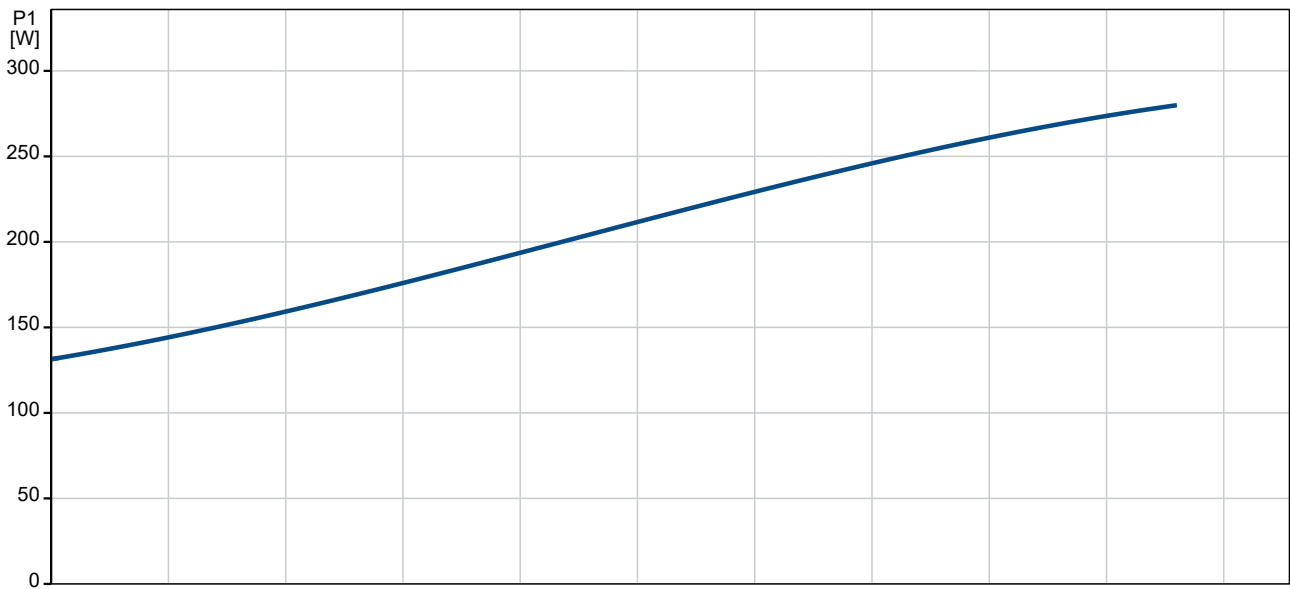
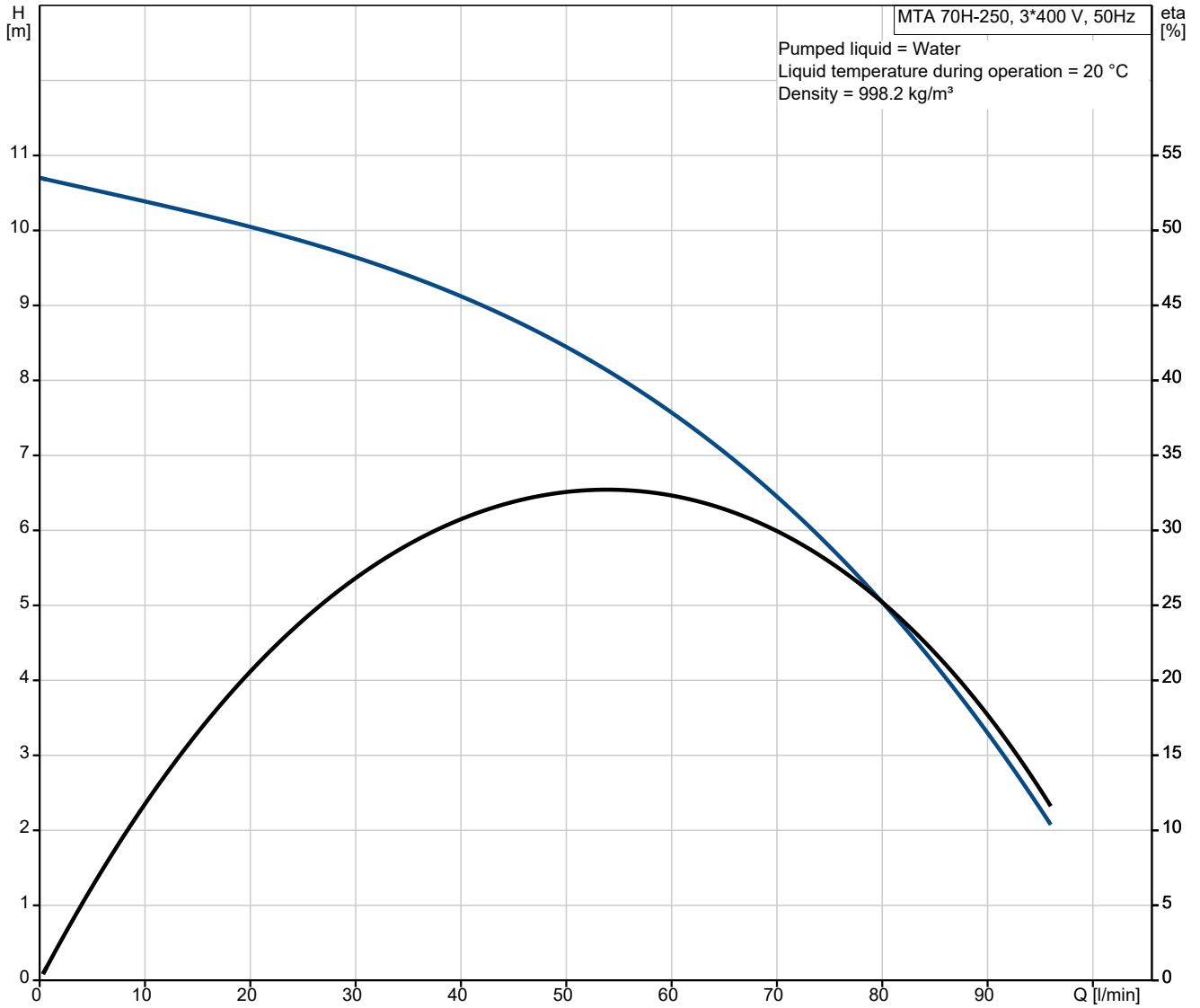
Date:

21/11/2022

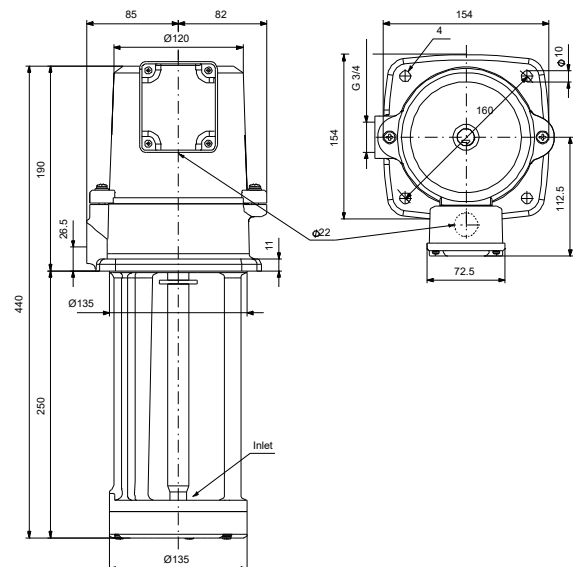
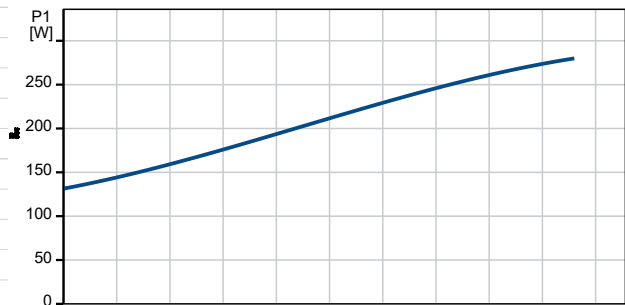
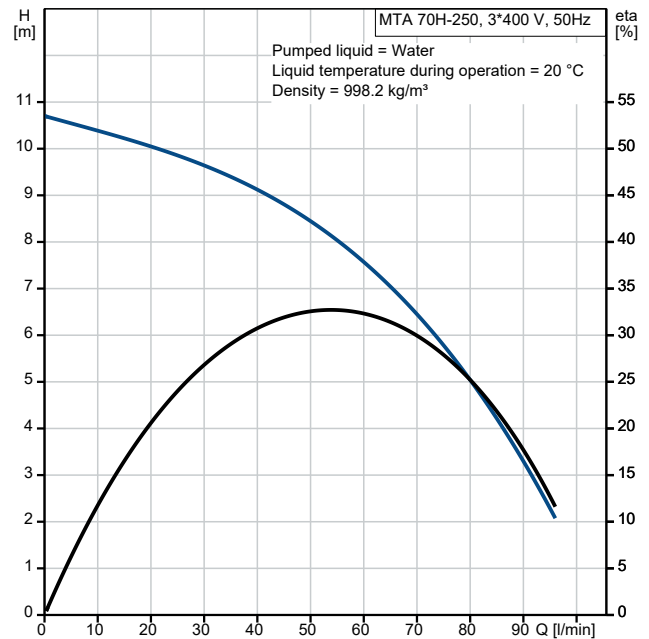
Qty.	Description
------	-------------

1	Motor efficiency at full load: 79.4 % Enclosure class (IEC 34-5): IP54 Insulation class (IEC 85): F
	Others:
	Net weight: 14.5 kg
	Gross weight: 16 kg
	Shipping volume: 0.031 m ³
	Danish VVS No.: 386945325

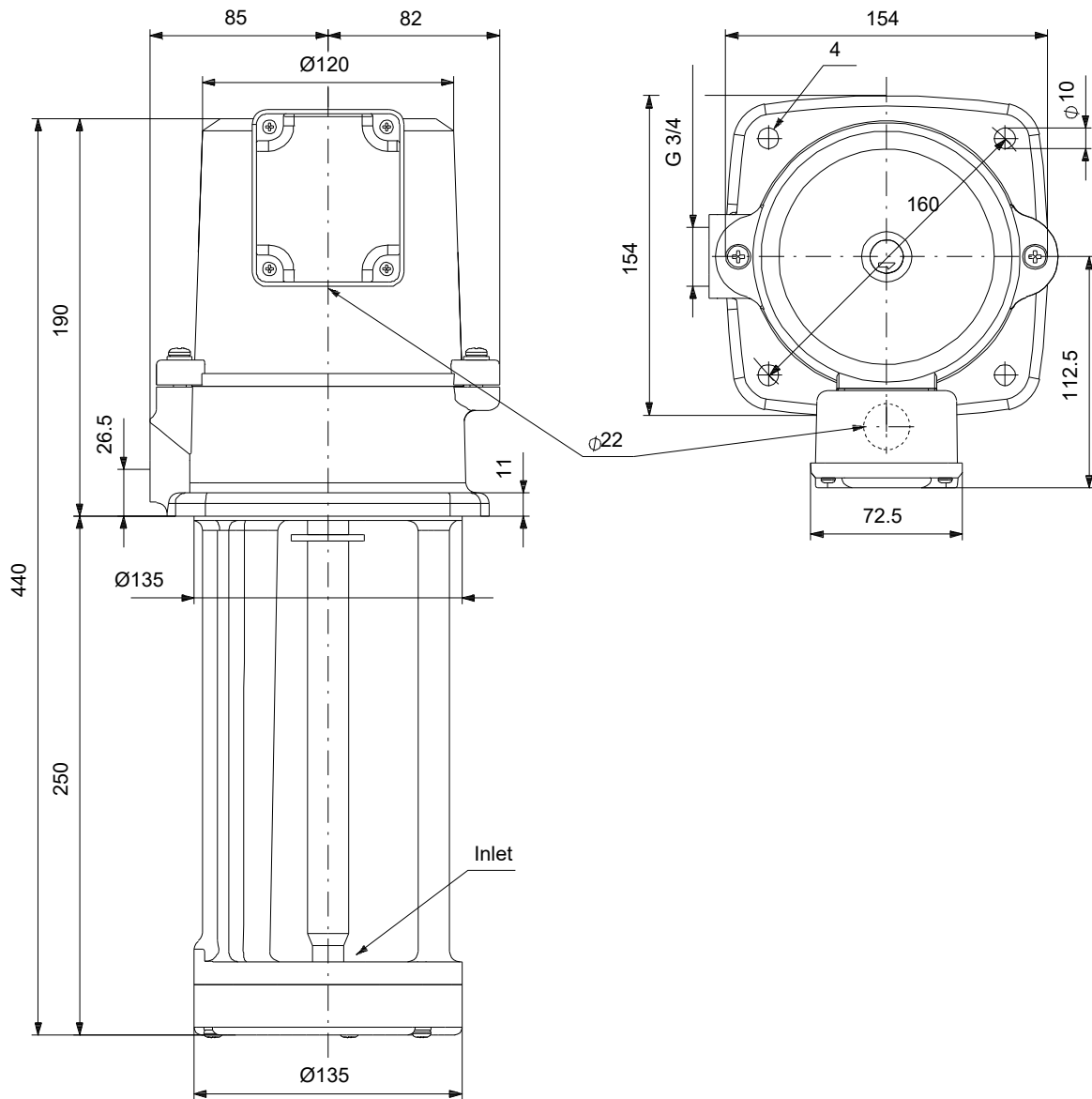
97989303 MTA 70H-250 A-W-B-T 50 Hz



Description	Value
General information:	
Product name:	MTA 70H-250 A-W-B-T
Product No:	97989303
EAN number:	5710627482343
Technical:	
Rated flow:	60 l/min
Rated head:	7.5 m
Head max:	10.7 m
Approvals:	CE
Pump version:	A
Model:	A
Cable entry:	22
Materials:	
Pump housing:	Cast iron
Pump housing:	DIN W.-Nr. GG20
Pump housing:	ASTM A48-CL30
Impeller:	Bronze
Impeller:	DIN W.-Nr. G-CuZn-5ZnPb
Impeller:	AISI C92200
Material code:	B
Installation:	
t max amb:	40 °C
Pump outlet:	G 3/4
Port-to-port length:	250 mm
Connect code:	W
Liquid:	
Pumped liquid:	Water
Liquid temperature range:	0 .. 60 °C
Selected liquid temperature:	20 °C
Density:	998.2 kg/m ³
Electrical data:	
Power input - P1:	281 W
Mains frequency:	50 Hz
Rated voltage:	3 x 220-240D/380-415Y V
Service factor:	1.15
Rated current:	1.02/0.59 A
Starting current:	480 %
Rated speed:	2955 rpm
Motor efficiency at full load:	79.4 %
Enclosure class (IEC 34-5):	IP54
Insulation class (IEC 85):	F
Built-in motor protection:	NO
Controls:	
Pos term box:	9
Others:	
Net weight:	14.5 kg
Gross weight:	16 kg
Shipping volume:	0.031 m ³
Danish VVS No.:	386945325



97989303 MTA 70H-250 A-W-B-T 50 Hz



Note! All units are in [mm] unless others are stated.
Disclaimer: This simplified dimensional drawing does not show all details.

