

**Qty. Description**

1 **MTA 100H-280 A-W-B-T**



**Note! Product picture may differ from actual product**

Product No.: [97989304](#)

Low pressure immersible centrifugal pump for installation, in filtering systems or conveyer systems in the machine tool industry.

The pump has the following characteristics:

- The pump is closed-coupled without shaft seal.
- The pump is fitted with a 3-phase integrated motor.
- Open impeller allows particles to pass through pump
- Impeller is made of Bronze.
- Motor stool and pump housing are made of cast iron.
- The pump has no wearing parts.

Immersion depth: 280 mmmm

Liquid:

Pumped liquid: Water  
 Liquid temperature range: 0 .. 60 °C  
 Selected liquid temperature: 20 °C  
 Density: 998.2 kg/m<sup>3</sup>

Technical:

Rated flow: 90 l/min  
 Rated head: 7.6 m  
 Approvals: CE  
 Cable entry: 22

Materials:

Pump housing: Cast iron  
 DIN W.-Nr. GG20  
 ASTM A48-CL30  
 Impeller: Bronze  
 DIN W.-Nr. G-CuZn-5ZnPb  
 AISI C92200

Installation:

t max amb: 40 °C  
 Pump outlet: G 1  
 Port-to-port length: 280 mm

Electrical data:

Power input - P1: 445 W  
 Mains frequency: 50 Hz  
 Rated voltage: 3 x 220-240D/380-415Y V  
 Service factor: 1.15  
 Rated current: 1.47/0.87 A  
 Starting current: 500 %  
 Rated speed: 2914 rpm



Company name:

Created by:

Phone:

Date:

21/11/2022

Qty.	Description
------	-------------

1	Motor efficiency at full load: 75.8 % Enclosure class (IEC 34-5): IP54 Insulation class (IEC 85): F  Others: Net weight: 18.5 kg Gross weight: 20.1 kg Shipping volume: 0.032 m <sup>3</sup> Danish VVS No.: 386947328
---	--



Company name:

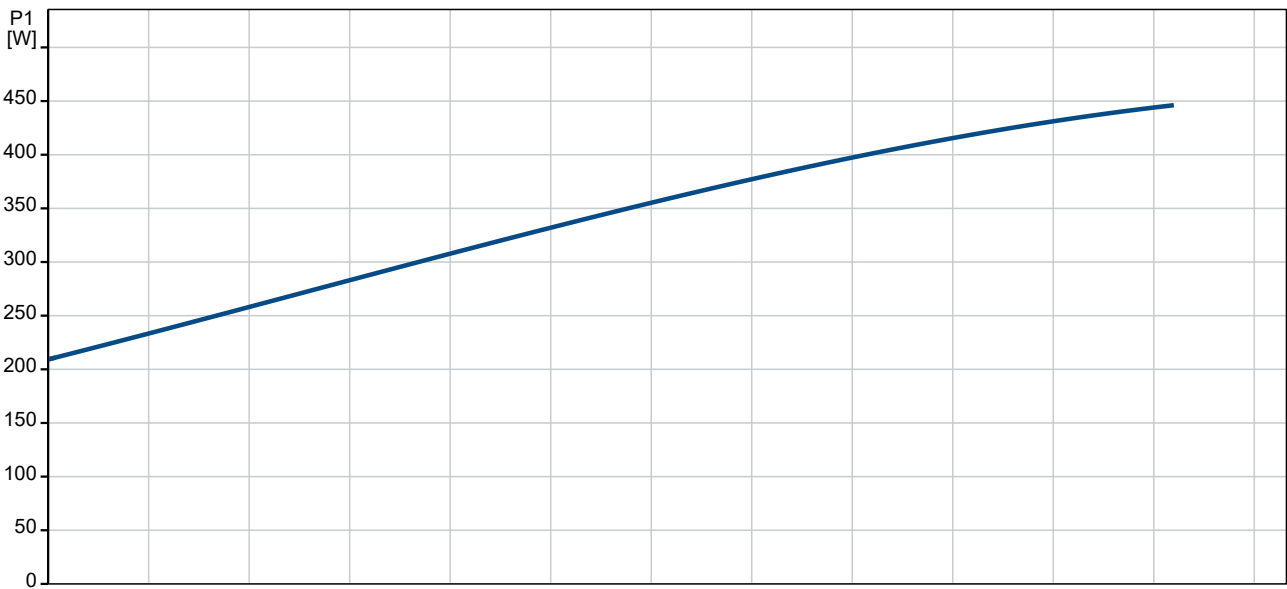
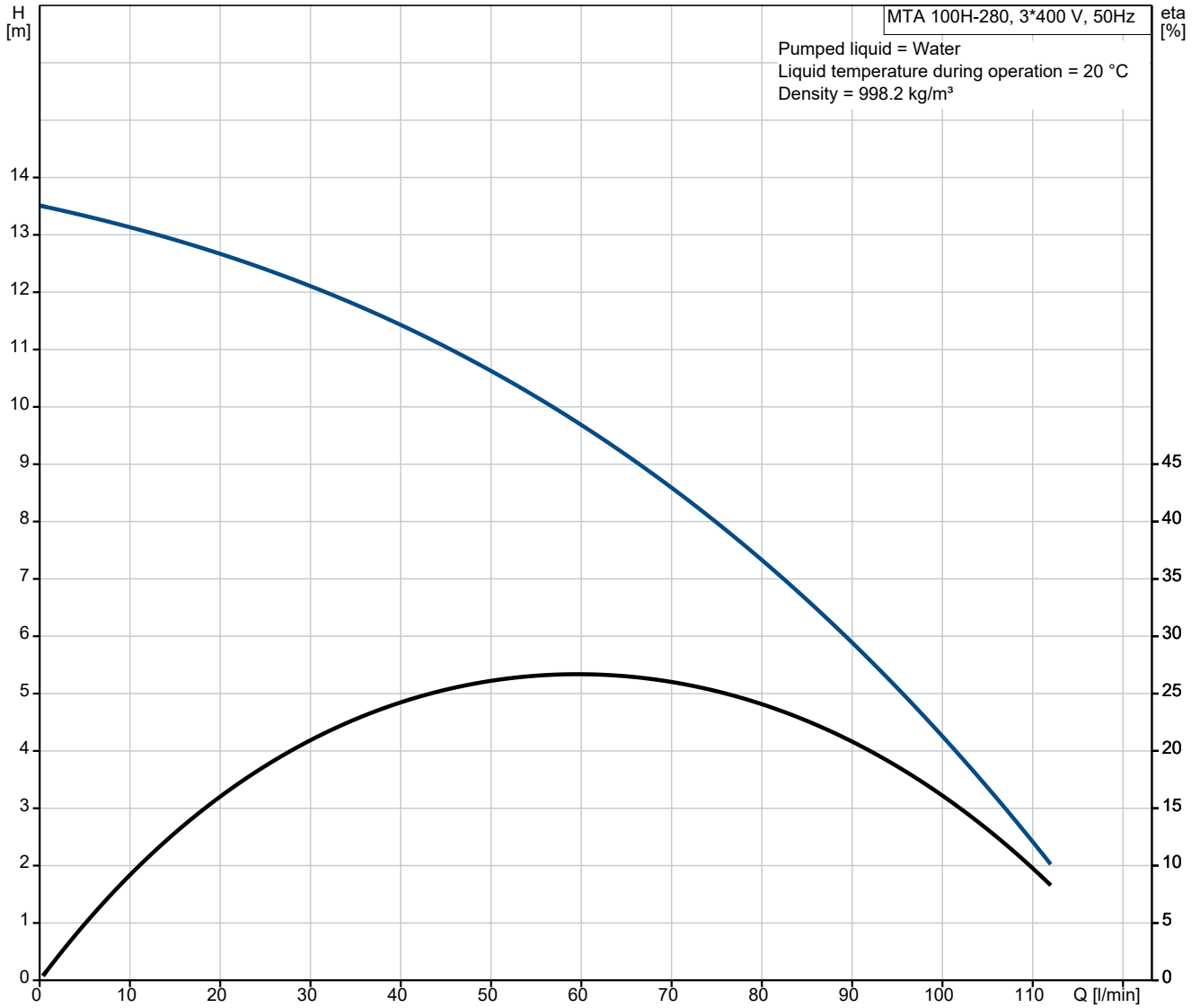
Created by:

Phone:

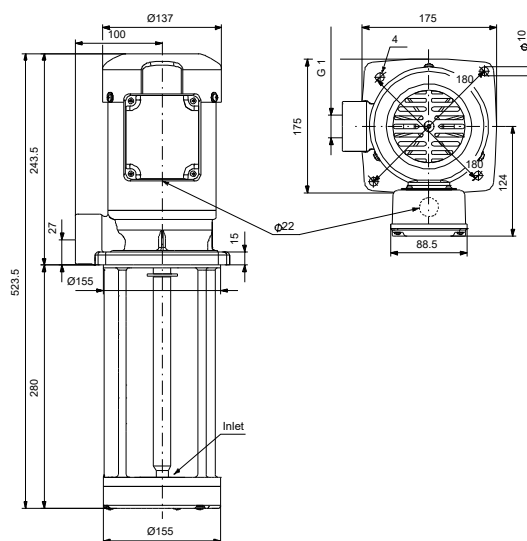
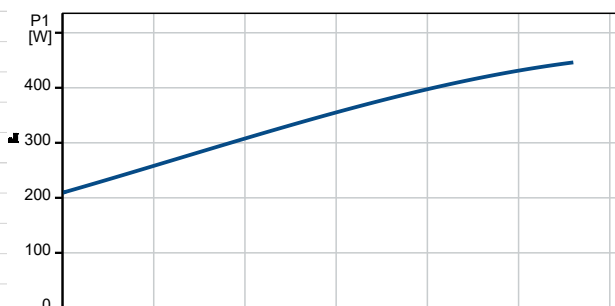
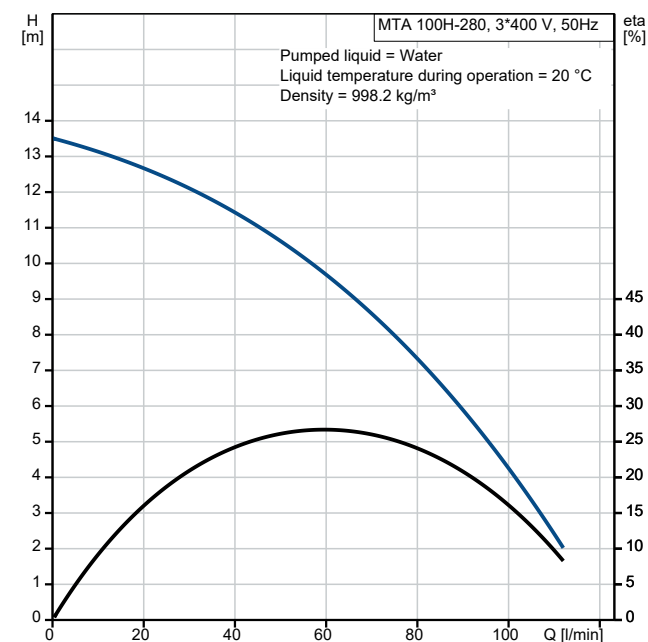
Date:

21/11/2022

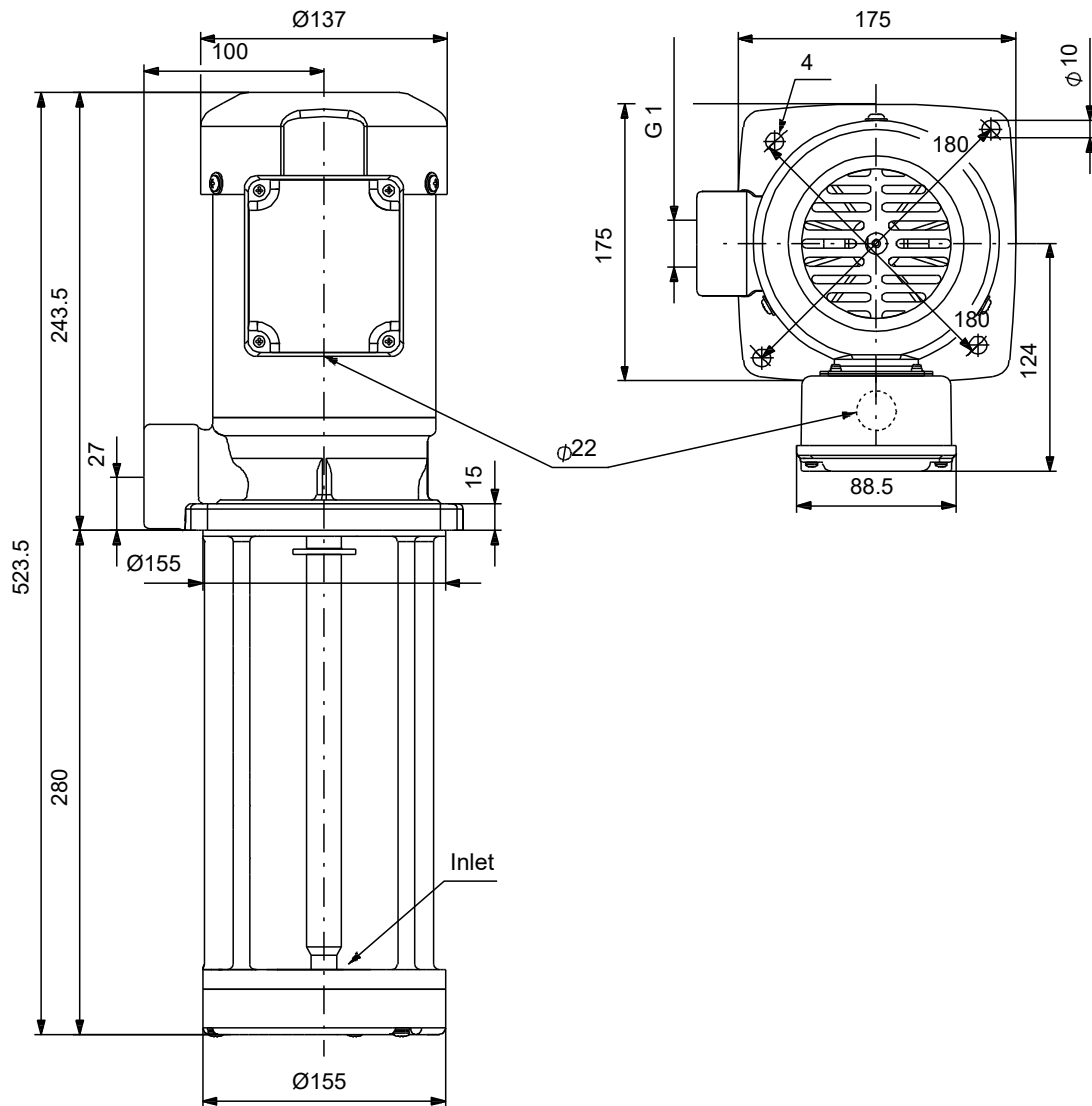
### 97989304 MTA 100H-280 A-W-B-T 50 Hz



Description	Value
<b>General information:</b>	
Product name:	MTA 100H-280 A-W-B-T
Product No:	97989304
EAN number:	5710627482350
<b>Technical:</b>	
Rated flow:	90 l/min
Rated head:	7.6 m
Head max:	14.1 m
Approvals:	CE
Pump version:	A
Model:	A
Cable entry:	22
<b>Materials:</b>	
Pump housing:	Cast iron
Pump housing:	DIN W.-Nr. GG20
Pump housing:	ASTM A48-CL30
Impeller:	Bronze
Impeller:	DIN W.-Nr. G-CuZn-5ZnPb
Impeller:	AISI C92200
Material code:	B
<b>Installation:</b>	
t max amb:	40 °C
Pump outlet:	G 1
Port-to-port length:	280 mm
Connect code:	W
<b>Liquid:</b>	
Pumped liquid:	Water
Liquid temperature range:	0 .. 60 °C
Selected liquid temperature:	20 °C
Density:	998.2 kg/m <sup>3</sup>
<b>Electrical data:</b>	
Power input - P1:	445 W
Mains frequency:	50 Hz
Rated voltage:	3 x 220-240D/380-415Y V
Service factor:	1.15
Rated current:	1.47/0.87 A
Starting current:	500 %
Rated speed:	2914 rpm
Motor efficiency at full load:	75.8 %
Enclosure class (IEC 34-5):	IP54
Insulation class (IEC 85):	F
Built-in motor protection:	NO
<b>Controls:</b>	
Pos term box:	9
<b>Others:</b>	
Net weight:	18.5 kg
Gross weight:	20.1 kg
Shipping volume:	0.032 m <sup>3</sup>
Danish VVS No.:	386947328



## 97989304 MTA 100H-280 A-W-B-T 50 Hz



Note! All units are in [mm] unless others are stated.  
Disclaimer: This simplified dimensional drawing does not show all details.



Company name:

Created by:

Phone:

Date:

21/11/2022

Order Data:

Position	Your pos.	Product name	Amount	Product No	Total
		MTA 100H-280	1	97989304	Price on request