

Qty. Description

1 TPE 32-90/2 A-O-A-BQQE-DAB



Note! Product picture may differ from actual product

Product No.: [98112501](#)

Single-stage, close-coupled, volute pump with in-line suction and discharge ports of identical diameter. The pump is of the top-pull-out design, i.e. the power head (motor, pump head and impeller) can be removed for maintenance or service while the pump housing remains in the pipework.

The pump is fitted with an unbalanced rubber bellows seal.

The shaft seal is according to EN 12756. The pump is fitted with a fan-cooled, permanent-magnet synchronous motor. The motor efficiency is classified as IE5 in accordance with IEC 60034-30-2.

The product's minimum efficiency index (MEI) is greater or equal to 0.70. This is by the Commission Regulation (EU) considered as an indicative benchmark for best-performing water pump available on the market as from 1 January 2013.

An operating panel on the motor terminal box enables setting of required setpoint as well as setting of pump to "Min." or "Max." operation or to "Stop". The Grundfos Eye indicator on the operating panel provides visual indication of pump status:

- "Power on": Motor is running (rotating green indicator lights) or not running (permanently green indicator lights)
- "Warning": Motor is still running (rotating yellow indicator lights) or has stopped (permanently yellow indicator lights)
- "Alarm": Motor has stopped (flashing red indicator lights).

Communication with the pump is possible by means of Grundfos GO Remote (accessory). The remote control enables further settings as well as reading out of a number of parameters such as "Actual value", "Speed", "Power input" and total "Power consumption".

Cast-iron parts have an epoxy-based coating made in a cathodic electro-deposition (CED) process. CED is a high-quality dip-painting process where an electrical field around the products ensures deposition of paint particles as a thin, well-controlled layer on the surface.

Pump

The pump housing is provided with a replaceable stainless steel/PTFE neck ring to reduce the amount of liquid running from the discharge side of the impeller to the suction side.

The impeller is secured with a split cone pressed onto the shaft.

The pump is fitted with an unbalanced rubber bellows seal with torque transmission across the spring and around the bellows. Due to the bellows, the seal does not wear the shaft, and the axial movement is not prevented by deposits on the shaft.

Seal faces:

- Rotating seal ring material: silicon carbide (SiC)
- Stationary seat material: silicon carbide (SiC)

This material pairing is used where higher corrosion resistance is required. The high hardness of this material pairing offers good resistance against abrasive particles.

Secondary seal material: EPDM (ethylene-propylene rubber)

EPDM has excellent resistance to hot water. EPDM is not suitable for mineral oils.

A circulation of liquid through the duct of the air vent screw ensures lubrication and cooling of the shaft seal.

The motor stool forms connection between the pump housing and the motor, and is equipped with a manual air vent screw for venting of the pump housing and the shaft seal chamber. The sealing between motor stool and pump housing is an O-ring or a flat gasket.

The central part of the motor stool is provided with guards for protection against the shaft and coupling. Motor and pump shaft are connected via a shell coupling.

Qty. Description

1

Motor

The motor is a totally enclosed, fan-cooled motor with principal dimensions to IEC and DIN standards. Electrical tolerances comply with IEC 60034.

The motor is flange-mounted with tapped-hole flange (FT).

Motor-mounting designation in accordance with IEC 60034-7: IM B 14, IM V 18 (Code I) / IM 3601, IM 3611 (Code II).

The motor efficiency is classified as IE5 in accordance with IEC 60034-30-2.

The motor requires no external motor protection. The motor control unit incorporates protection against slow- and quick-rising temperatures, e.g. constant overload and stalled conditions.

Further product details

Cast-iron parts have an epoxy-based coating made in a cathodic electro-deposition (CED) process. CED is a high-quality dip-painting process where an electrical field around the products ensures deposition of paint particles as a thin, well-controlled layer on the surface.

Technical data

Controls:

Frequency converter: Built-in

Liquid:

Pumped liquid: Water

Liquid temperature range: -25 .. 120 °C

Selected liquid temperature: 20 °C

Density: 998.2 kg/m³

Technical:

Pump speed on which pump data are based: 2865 rpm

Rated flow: 8.78 m³/h

Rated head: 7.35 m

Actual impeller diameter: 89 mm

Code for shaft seal: BQQE

Curve tolerance: ISO9906:2012 3B2

Materials:

Pump housing: Cast iron
EN-GJL-200
ASTM class 30

Impeller: Composite
PES+30% GF

Installation:

Range of ambient temperature: -20 .. 50 °C

Maximum operating pressure: 10 bar

Max pressure at stated temp: 10 bar / 120 °C

Type of connection: G

Size of connection: DN 32

Pressure rating for connection: PN 10

Port-to-port length: 180 mm

Flange size for motor: FT85

Electrical data:

Motor type: 71A

IE Efficiency class: IE5

Rated power - P2: 0.37 kW

Mains frequency: 50 Hz

Rated voltage: 1 x 200-240 V

Rated current: 2.40-2.10 A



Company name:

Created by:

Phone:

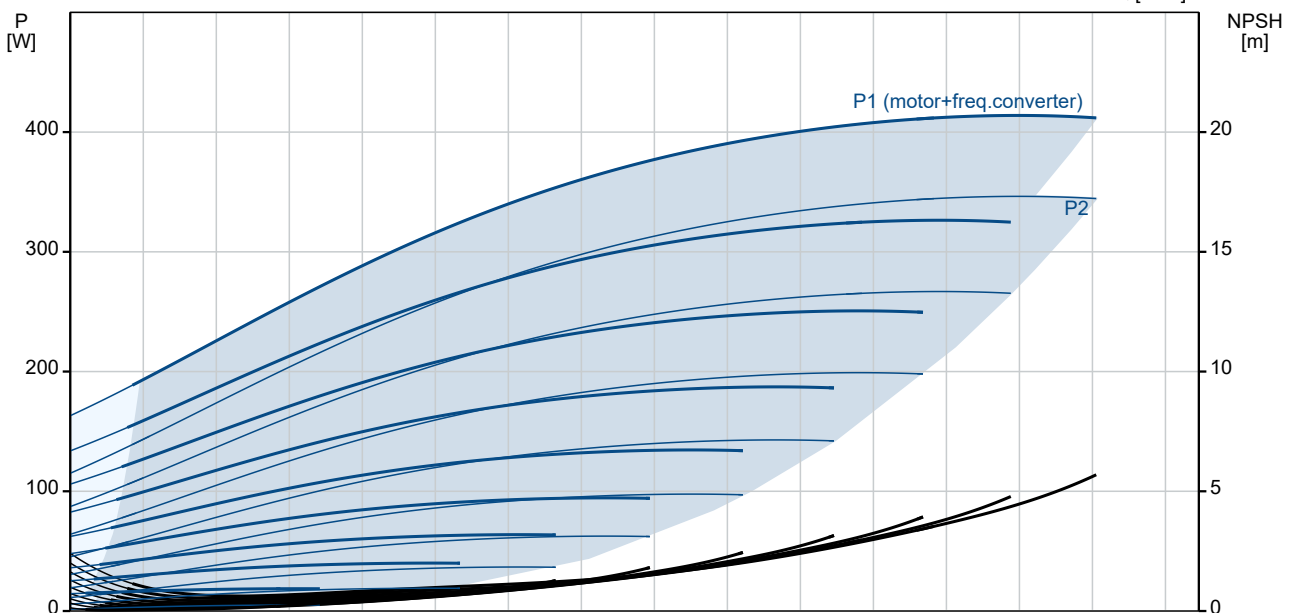
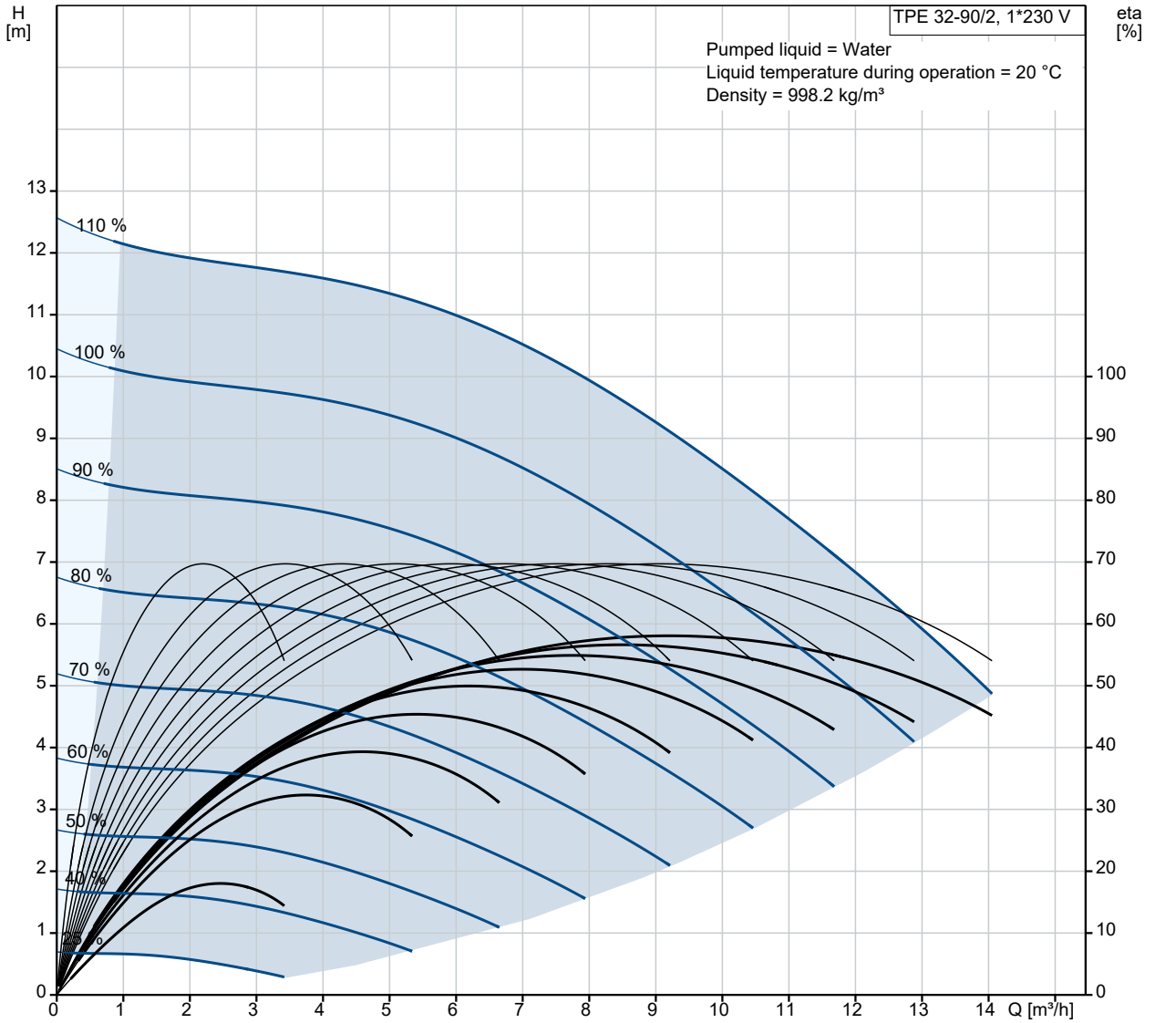
Date:

08/08/2022

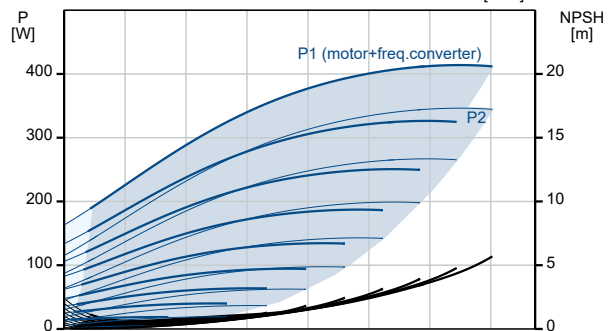
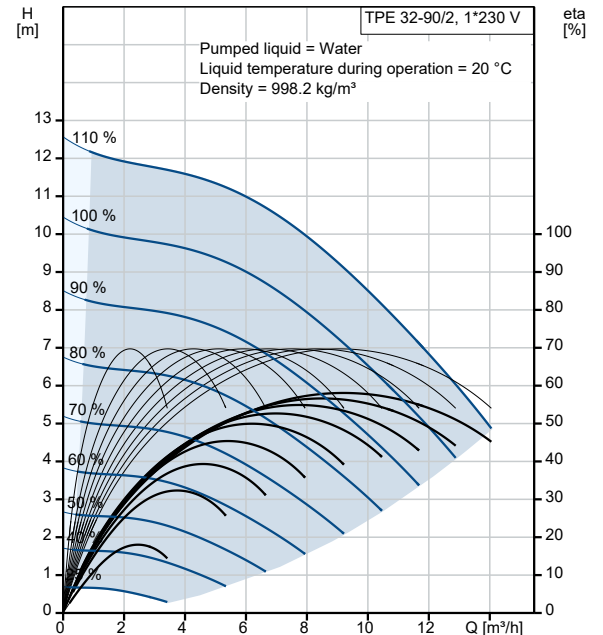
Qty. Description

| | | |
|---|----------------------------------|----------------------|
| 1 | Cos phi - power factor: | 0.96 |
| | Rated speed: | 360-4000 rpm |
| | Efficiency: | 84.0% |
| | Motor efficiency at full load: | 84.0 % |
| | Number of poles: | 2 |
| | Enclosure class (IEC 34-5): | IP55 |
| | Insulation class (IEC 85): | F |
| | Motor No: | 98190190 |
| | Others: | |
| | Minimum efficiency index, MEI ≥: | 0.70 |
| | Net weight: | 12.8 kg |
| | Gross weight: | 14.8 kg |
| | Shipping volume: | 0.045 m ³ |
| | Danish VVS No.: | 382000190 |
| | Finnish LVI No.: | 4616370 |
| | Norwegian NRF no.: | 9043648 |
| | Country of origin: | HU |
| | Custom tariff no.: | 84137051 |

98112501 TPE 32-90/2 A-O-A-BQQE-DAB 50 Hz



| Description | Value |
|--|-------------------------------|
| General information: | |
| Product name: | TPE 32-90/2 A-O-A-BQQE-DAB |
| Product No: | 98112501 |
| EAN number: | 5710629213709 |
| Technical: | |
| Pump speed on which pump data are based: | 2865 rpm |
| Rated flow: | 8.78 m ³ /h |
| Rated head: | 7.35 m |
| Maximum head: | 90 dm |
| Actual impeller diameter: | 89 mm |
| Code for shaft seal: | BQQE |
| Curve tolerance: | ISO9906:2012 3B2 |
| Pump version: | A |
| Materials: | |
| Pump housing: | Cast iron |
| Pump housing: | EN-GJL-200 |
| Pump housing: | ASTM class 30 |
| Impeller: | Composite |
| Impeller: | PES+30% GF |
| Material code: | A |
| Installation: | |
| Range of ambient temperature: | -20 .. 50 °C |
| Maximum operating pressure: | 10 bar |
| Max pressure at stated temp: | 10 bar / 120 °C |
| Type of connection: | G |
| Size of connection: | DN 32 |
| Pressure rating for connection: | PN 10 |
| Port-to-port length: | 180 mm |
| Flange size for motor: | FT85 |
| Connect code: | O |
| Liquid: | |
| Pumped liquid: | Water |
| Liquid temperature range: | -25 .. 120 °C |
| Selected liquid temperature: | 20 °C |
| Density: | 998.2 kg/m ³ |
| Electrical data: | |
| Motor type: | 71A |
| IE Efficiency class: | IE5 |
| Rated power - P2: | 0.37 kW |
| Mains frequency: | 50 Hz |
| Rated voltage: | 1 x 200-240 V |
| Rated current: | 2.40-2.10 A |
| Cos phi - power factor: | 0.96 |
| Rated speed: | 360-4000 rpm |
| Efficiency: | 84.0% |
| Motor efficiency at full load: | 84.0 % |
| Number of poles: | 2 |
| Enclosure class (IEC 34-5): | IP55 |
| Insulation class (IEC 85): | F |
| Built-in motor protection: | ELEC |
| Motor No: | 98190190 |
| Controls: | |
| Control panel: | HMI200 - Standard |
| Function Module: | FM300 - Advanced |
| Frequency converter: | Built-in |
| Others: | |
| Minimum efficiency index, MEI ≥: | 0.70 |





Company name:

Created by:

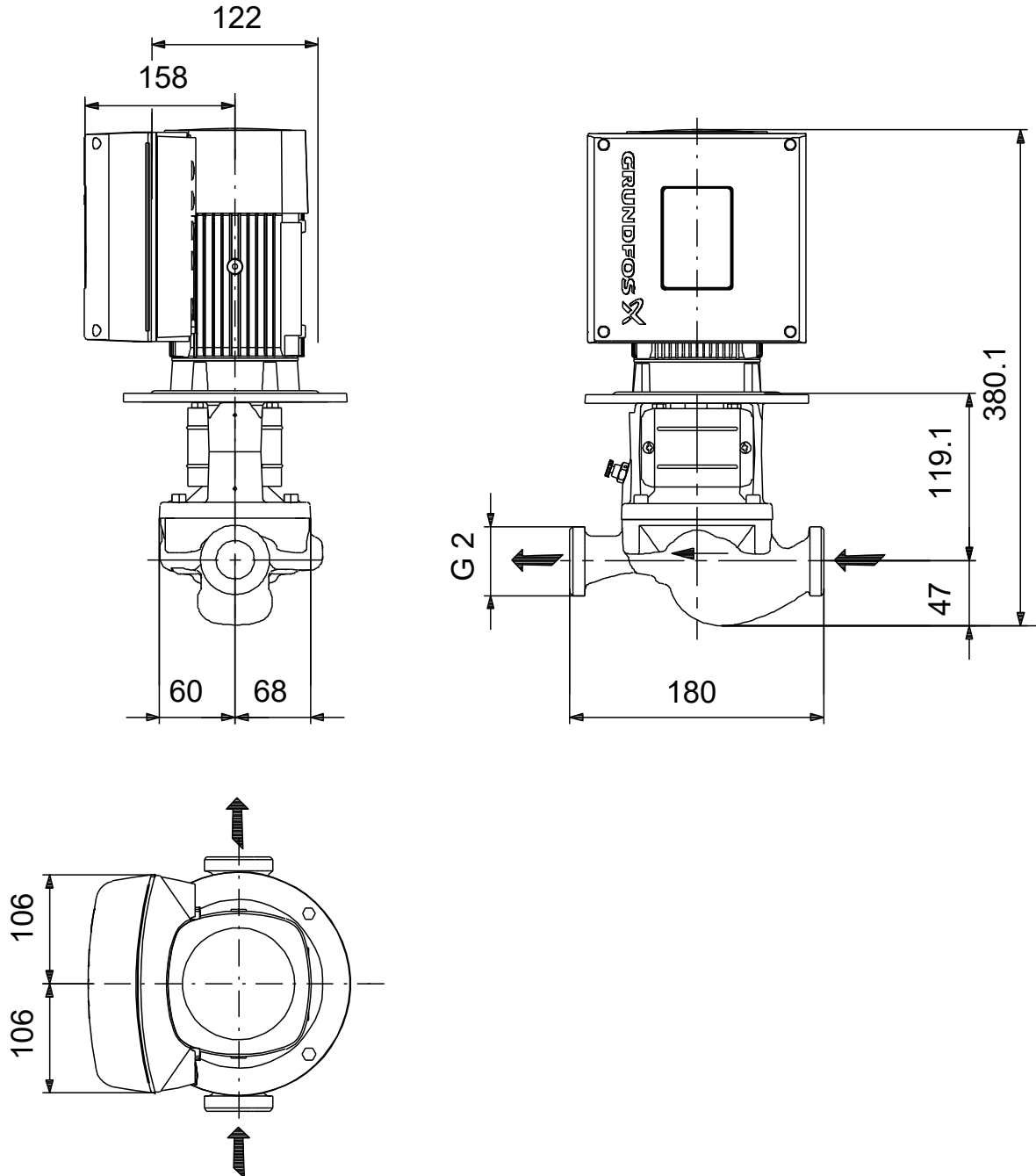
Phone:

Date:

08/08/2022

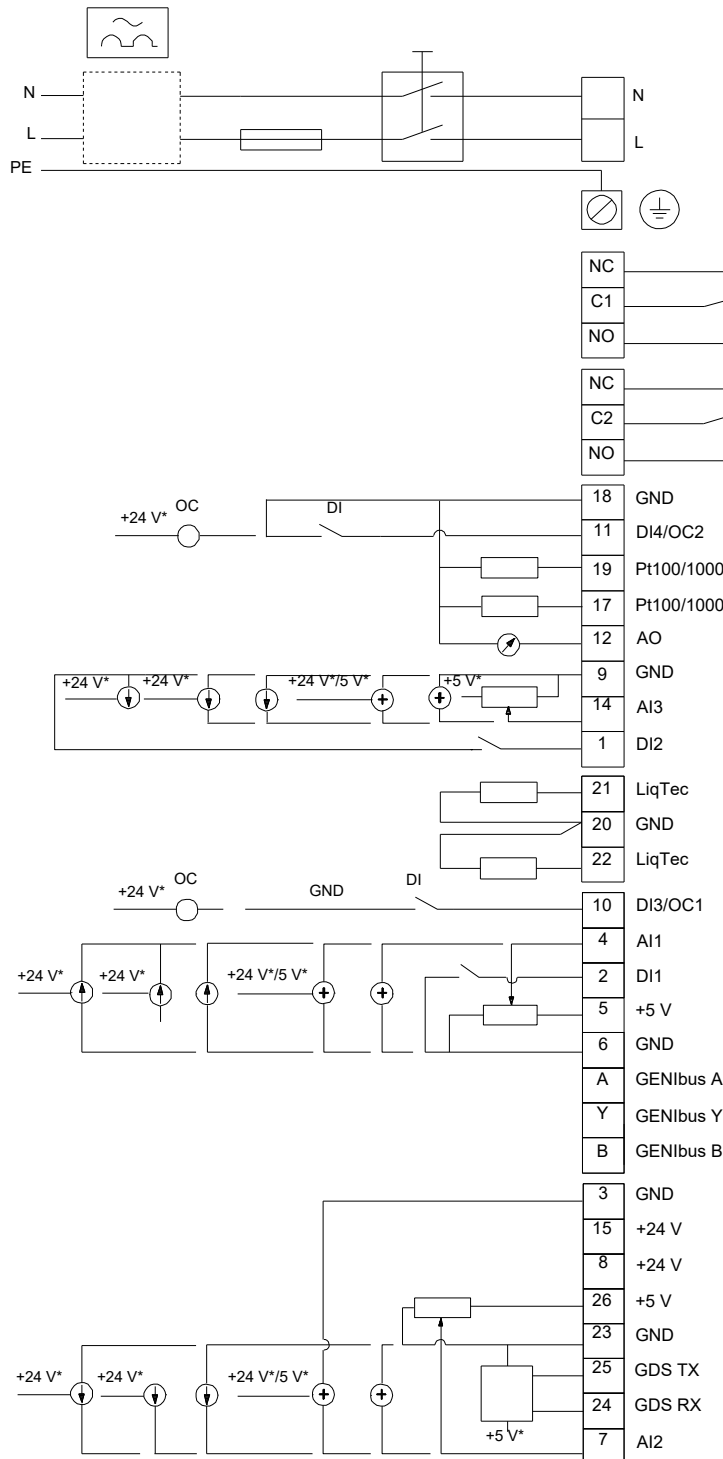
| Description | Value |
|--------------------|----------------------|
| Net weight: | 12.8 kg |
| Gross weight: | 14.8 kg |
| Shipping volume: | 0.045 m ³ |
| Config. file no: | 98478753 |
| Danish VVS No.: | 382000190 |
| Finnish LVI No.: | 4616370 |
| Norwegian NRF no.: | 9043648 |
| Country of origin: | HU |
| Custom tariff no.: | 84137051 |

98112501 TPE 32-90/2 A-O-A-BQQE-DAB 50 Hz



Note! All units are in [mm] unless others are stated.
Disclaimer: This simplified dimensional drawing does not show all details.

98112501 TPE 32-90/2 A-O-A-BQQE-DAB 50 Hz



Note! All units are in [mm] unless others are stated.