

Qty.	Description
------	-------------

1	Insulation cooling
---	---------------------------



Note! Product picture may differ from actual product

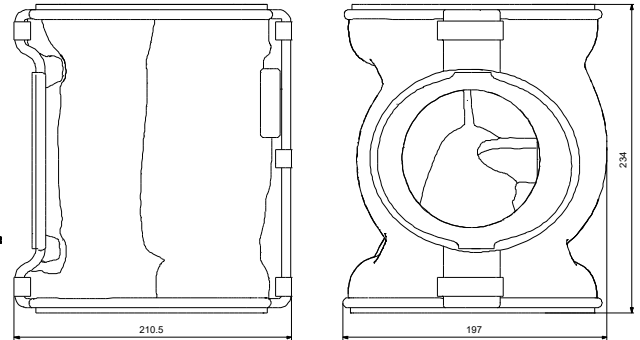
Product No.: [98164597](#)

The accessory is for single-head MAGNA pumps used in applications with ice build-up.

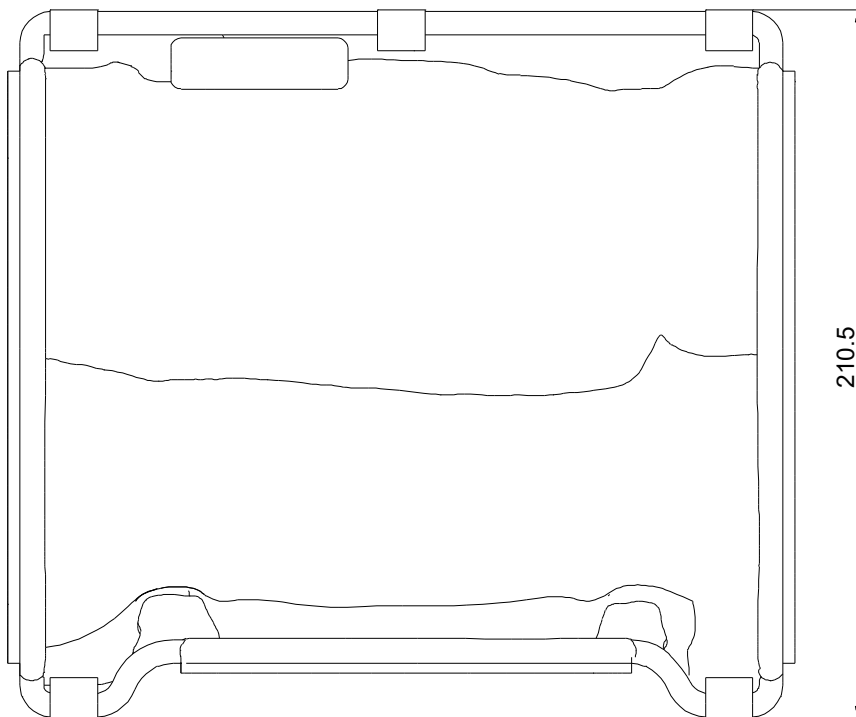
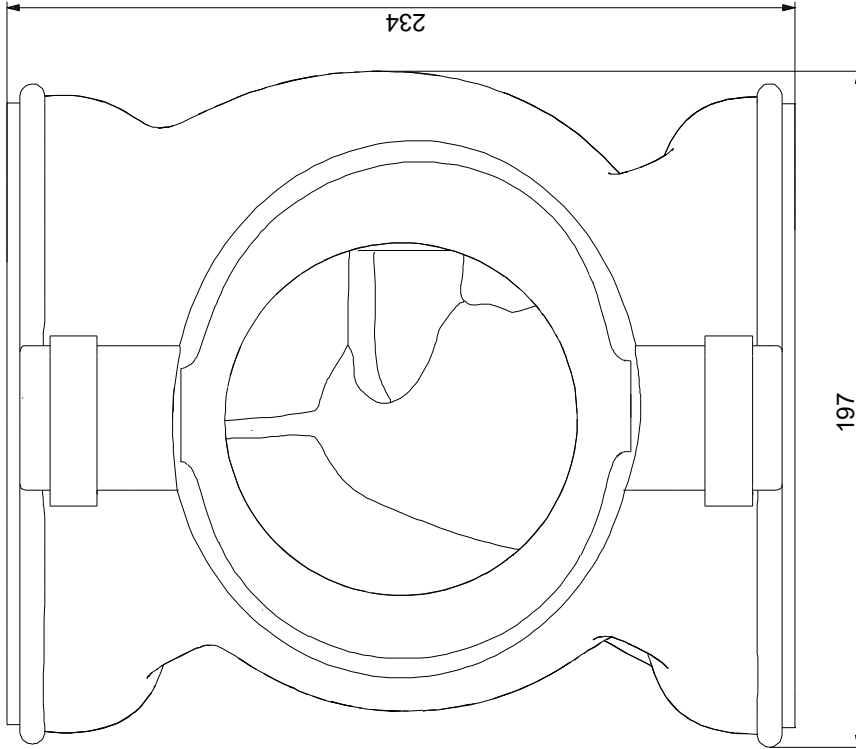
The accessory set consists of two polyurethane (PUR) shells and metal clamps to ensure tight assembly.

The dimensions of the insulating shells for air-conditioning and cooling systems differ from those of the insulating shells for heating systems. You can use the insulating shells for both stainless-steel and cast-iron pumps.

Description	Value
General information:	
Product name:	Insulation cooling
Product No:	98164597
EAN number:	5711490724905
Materials:	
Material:	Polyethylene
Others:	
Net weight:	0.55 kg
Gross weight:	0.55 kg
Shipping volume:	0.011 m ³
Fits to following products:	MAGNA1
Fits to variant:	40-80/100 F
Application type:	cooling
Country of origin:	DE
Custom tariff no.:	39211100



98164597 Insulation cooling



Note! All units are in [mm] unless others are stated.
Disclaimer: This simplified dimensional drawing does not show all details.



Company name: Pump Sales Direct

Created by:

Phone:

Date: 24/06/2022

Order Data:

Product name: Insulation cooling

Amount: 1

Product No: 98164597

Total: Price on request
