

Qty.	Description
------	-------------

1	TP 32-50/2 A-O-I-BQQE-AX1
---	---------------------------



Note! Product picture may differ from actual product

Product No.: [98346615](#)

Single-stage, close-coupled, volute pump with in-line suction and discharge ports of identical diameter.

The pump is of the top-pull-out design, i.e. the power head (motor, pump head and impeller) can be removed for maintenance or service while the pump housing remains in the pipework.

The pump is fitted with an unbalanced rubber bellows seal.

The shaft seal is according to EN 12756. The pump is fitted with a fan-cooled asynchronous motor.

The stainless-steel pump housing makes the pump suitable for circulation of hot water.

Cast-iron parts have an epoxy-based coating made in a cathodic electro-deposition (CED) process. CED is a high-quality dip-painting process where an electrical field around the products ensures deposition of paint particles as a thin, well-controlled layer on the surface.

Pump

The pump housing is provided with a replaceable stainless steel/PTFE neck ring to reduce the amount of liquid running from the discharge side of the impeller to the suction side.

The impeller is secured with a split cone pressed onto the shaft.

The pump is fitted with an unbalanced rubber bellows seal with torque transmission across the spring and around the bellows. Due to the bellows, the seal does not wear the shaft, and the axial movement is not prevented by deposits on the shaft.

Seal faces:

- Rotating seal ring material: silicon carbide (SiC)
- Stationary seat material: silicon carbide (SiC)

This material pairing is used where higher corrosion resistance is required. The high hardness of this material pairing offers good resistance against abrasive particles.

Secondary seal material: EPDM (ethylene-propylene rubber)

EPDM has excellent resistance to hot water. EPDM is not suitable for mineral oils.

A circulation of liquid through the duct of the air vent screw ensures lubrication and cooling of the shaft seal.

The motor stool forms connection between the pump housing and the motor, and is equipped with a manual air vent screw for venting of the pump housing and the shaft seal chamber. The sealing between motor stool and pump housing is an O-ring or a flat gasket.

The central part of the motor stool is provided with guards for protection against the shaft and coupling. Motor and pump shaft are connected via a shell coupling.

Motor

The motor is a totally enclosed, fan-cooled motor with principal dimensions to IEC and DIN standards. Electrical tolerances comply with IEC 60034.

The motor is flange-mounted with tapped-hole flange (FT).

Motor-mounting designation in accordance with IEC 60034-7: IM B 14, IM V 18 (Code I) / IM 3601, IM 3611 (Code II).

The motor efficiency is classified as IE3 in accordance with IEC 60034-30-1.

The motor does not incorporate motor protection and must be connected to a motor-protective circuit breaker which can be manually reset. The motor-protective circuit breaker must be set according to the rated current of the motor (I₁/1).

Further product details

Qty.	Description
1	<p data-bbox="204 338 1453 412">Cast-iron parts have an epoxy-based coating made in a cathodic electro-deposition (CED) process. CED is a high-quality dip-painting process where an electrical field around the products ensures deposition of paint particles as a thin, well-controlled layer on the surface.</p> <p data-bbox="204 483 400 510">Technical data</p> <p data-bbox="204 548 300 571">Controls:</p> <p data-bbox="204 577 635 600">Frequency converter: NONE</p> <p data-bbox="204 638 272 660">Liquid:</p> <p data-bbox="204 667 635 689">Pumped liquid: Water</p> <p data-bbox="204 696 703 719">Liquid temperature range: -25 .. 120 °C</p> <p data-bbox="204 725 635 748">Selected liquid temperature: 20 °C</p> <p data-bbox="204 754 699 777">Density: 998.2 kg/m³</p> <p data-bbox="204 815 316 837">Technical:</p> <p data-bbox="204 844 815 866">Pump speed on which pump data are based: 2800 rpm</p> <p data-bbox="204 873 667 896">Rated flow: 4.91 m³/h</p> <p data-bbox="204 902 639 925">Rated head: 3.29 m</p> <p data-bbox="204 931 639 954">Actual impeller diameter: 68 mm</p> <p data-bbox="204 960 635 983">Code for shaft seal: BQQE</p> <p data-bbox="204 990 772 1012">Curve tolerance: ISO9906:2012 3B2</p> <p data-bbox="204 1050 309 1072">Materials:</p> <p data-bbox="204 1079 724 1160">Pump housing: Stainless steel EN 1.4308 ASTM CF8</p> <p data-bbox="204 1167 719 1225">Impeller: Composite PES+30% GF</p> <p data-bbox="204 1263 325 1285">Installation:</p> <p data-bbox="204 1292 692 1314">Range of ambient temperature: -30 .. 40 °C</p> <p data-bbox="204 1321 635 1344">Maximum operating pressure: 10 bar</p> <p data-bbox="204 1350 730 1373">Max pressure at stated temp: 10 bar / 120 °C</p> <p data-bbox="204 1379 587 1402">Type of connection: G</p> <p data-bbox="204 1408 635 1431">Size of connection: DN 32</p> <p data-bbox="204 1438 635 1460">Pressure rating for connection: PN 10</p> <p data-bbox="204 1467 655 1489">Port-to-port length: 180 mm</p> <p data-bbox="204 1496 624 1518">Flange size for motor: FT75</p> <p data-bbox="204 1556 363 1579">Electrical data:</p> <p data-bbox="204 1585 676 1608">Motor type: SIEMENS</p> <p data-bbox="204 1615 603 1637">IE Efficiency class: IE3</p> <p data-bbox="204 1644 655 1666">Rated power - P2: 0.12 kW</p> <p data-bbox="204 1673 635 1695">Mains frequency: 50 Hz</p> <p data-bbox="204 1702 847 1724">Rated voltage: 3 x 220-240D/380-415Y V</p> <p data-bbox="204 1731 804 1753">Rated current: 0,64-0,66/0,37-0,38 A</p> <p data-bbox="204 1760 683 1783">Starting current: 450-450 %</p> <p data-bbox="204 1789 619 1812">Cos phi - power factor: 0.78</p> <p data-bbox="204 1818 671 1841">Rated speed: 2830 rpm</p> <p data-bbox="204 1848 683 1870">Efficiency: IE3 60,8%</p> <p data-bbox="204 1877 699 1899">Motor efficiency at full load: 60.8-60.8 %</p> <p data-bbox="204 1906 699 1928">Motor efficiency at 3/4 load: 59.4-59.4 %</p> <p data-bbox="204 1935 699 1957">Motor efficiency at 1/2 load: 53.7-53.7 %</p> <p data-bbox="204 1964 587 1986">Number of poles: 2</p> <p data-bbox="204 1993 619 2016">Enclosure class (IEC 34-5): IP55</p> <p data-bbox="204 2022 587 2045">Insulation class (IEC 85): F</p> <p data-bbox="204 2051 676 2074">Motor No: 81602312</p>



Company name:

Created by:

Phone:

Date:

08/08/2022

Qty.	Description
------	-------------

1	Others: Net weight: 8.2 kg Gross weight: 9.2 kg Shipping volume: 0.026 m ³ Danish VVS No.: 381871050 Country of origin: HU Custom tariff no.: 84137051
---	---



Company name:

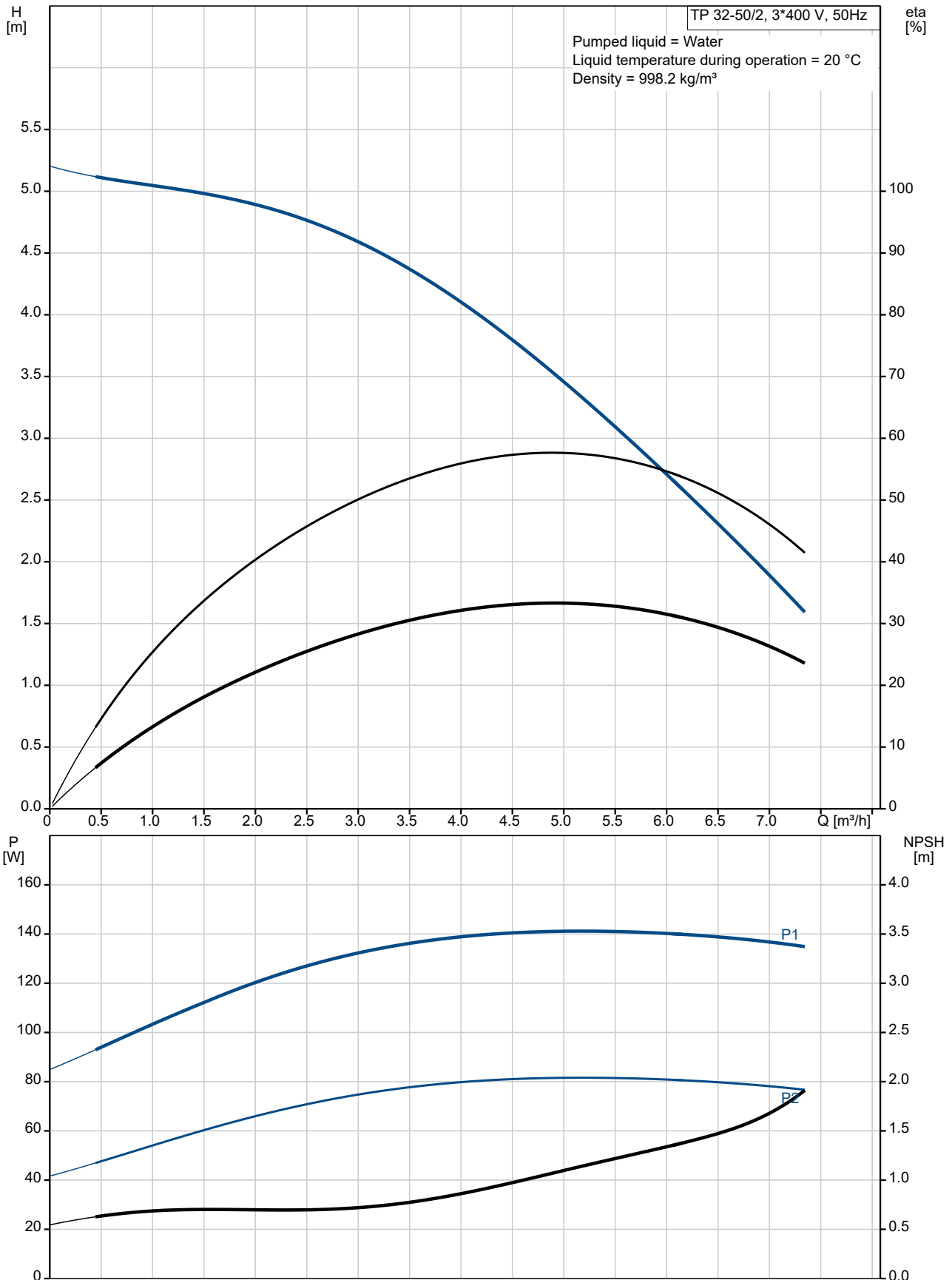
Created by:

Phone:

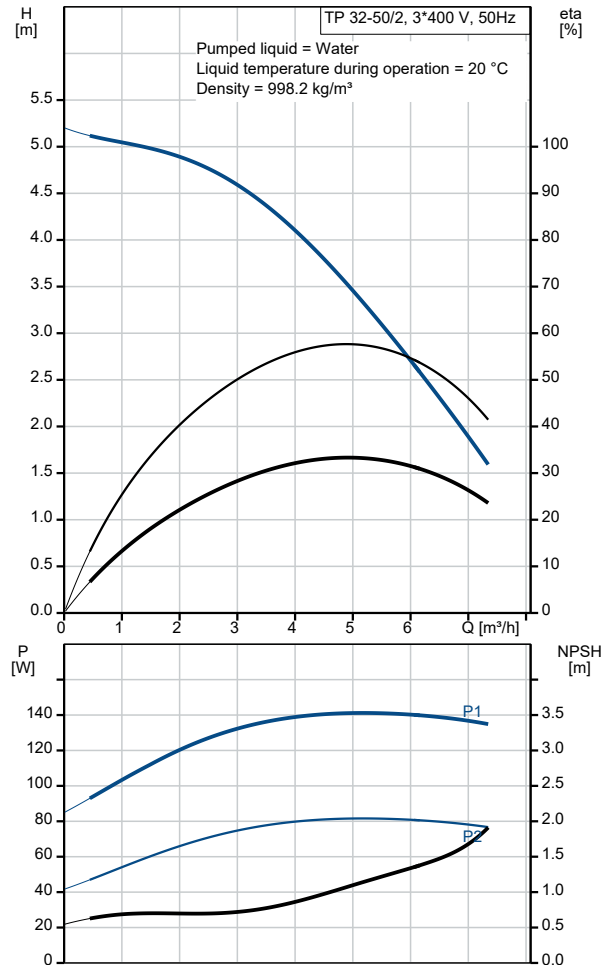
Date:

08/08/2022

98346615 TP 32-50/2 A-O-I-BQQE-AX1 50 Hz



Description	Value
General information:	
Product name:	TP 32-50/2 A-O-I-BQQE-AX1
Product No:	98346615
EAN number:	5711493380160
Technical:	
Pump speed on which pump data are based:	2800 rpm
Rated flow:	4.91 m ³ /h
Rated head:	3.29 m
Maximum head:	50 dm
Actual impeller diameter:	68 mm
Code for shaft seal:	BQQE
Curve tolerance:	ISO9906:2012 3B2
Pump version:	A
Materials:	
Pump housing:	Stainless steel
Pump housing:	EN 1.4308
Pump housing:	ASTM CF8
Impeller:	Composite
Impeller:	PES+30% GF
Material code:	I
Installation:	
Range of ambient temperature:	-30 .. 40 °C
Maximum operating pressure:	10 bar
Max pressure at stated temp:	10 bar / 120 °C
Type of connection:	G
Size of connection:	DN 32
Pressure rating for connection:	PN 10
Port-to-port length:	180 mm
Flange size for motor:	FT75
Connect code:	O
Liquid:	
Pumped liquid:	Water
Liquid temperature range:	-25 .. 120 °C
Selected liquid temperature:	20 °C
Density:	998.2 kg/m ³
Electrical data:	
Motor type:	SIEMENS
IE Efficiency class:	IE3
Rated power - P2:	0.12 kW
Mains frequency:	50 Hz
Rated voltage:	3 x 220-240D/380-415Y V
Rated current:	0,64-0,66/0,37-0,38 A
Starting current:	450-450 %
Cos phi - power factor:	0.78
Rated speed:	2830 rpm
Efficiency:	IE3 60,8%
Motor efficiency at full load:	60.8-60.8 %
Motor efficiency at 3/4 load:	59.4-59.4 %
Motor efficiency at 1/2 load:	53.7-53.7 %
Number of poles:	2
Enclosure class (IEC 34-5):	IP55
Insulation class (IEC 85):	F
Built-in motor protection:	NONE
Motor No:	81602312
Controls:	
Frequency converter:	NONE





Company name:

Created by:

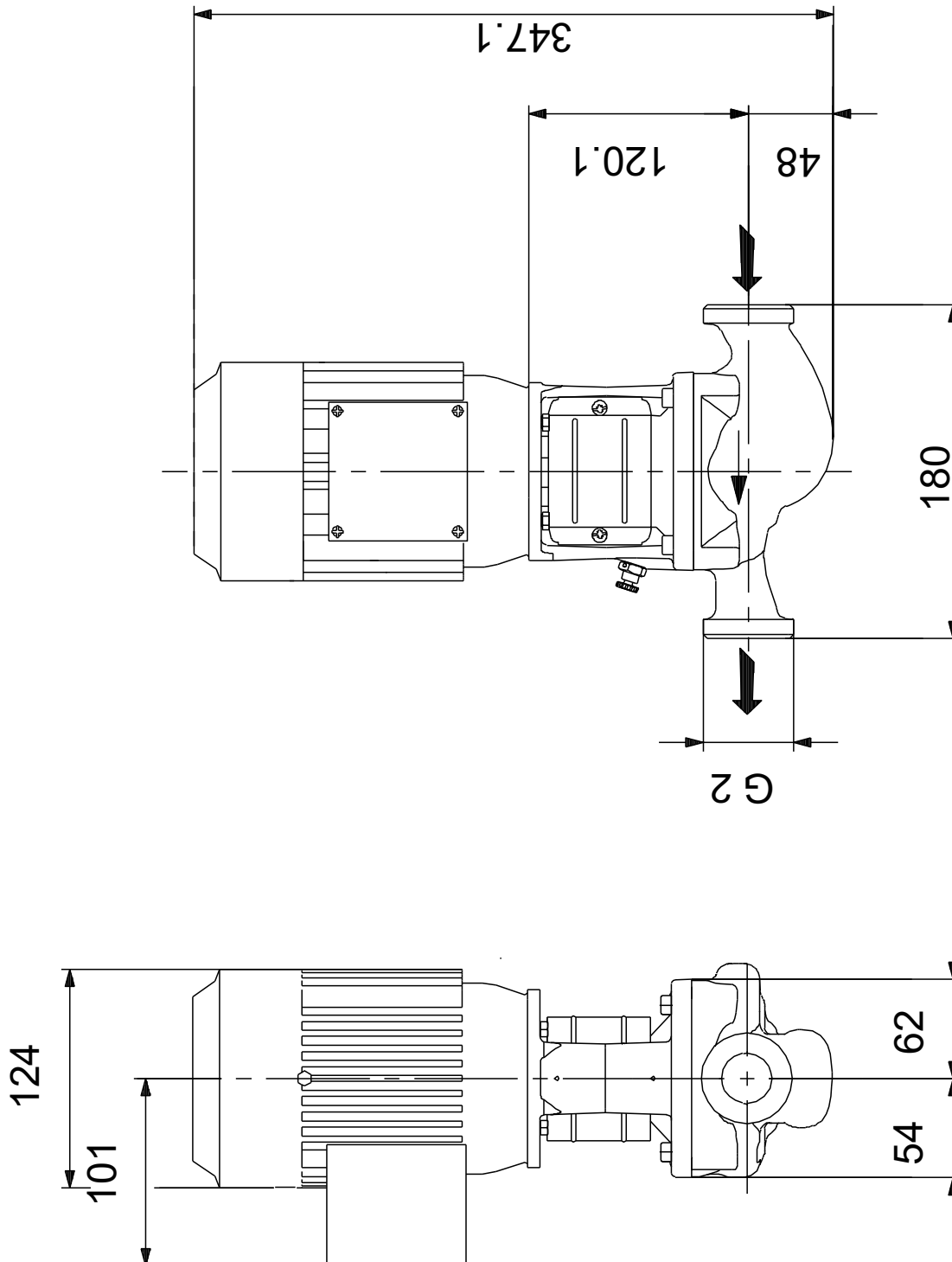
Phone:

Date:

08/08/2022

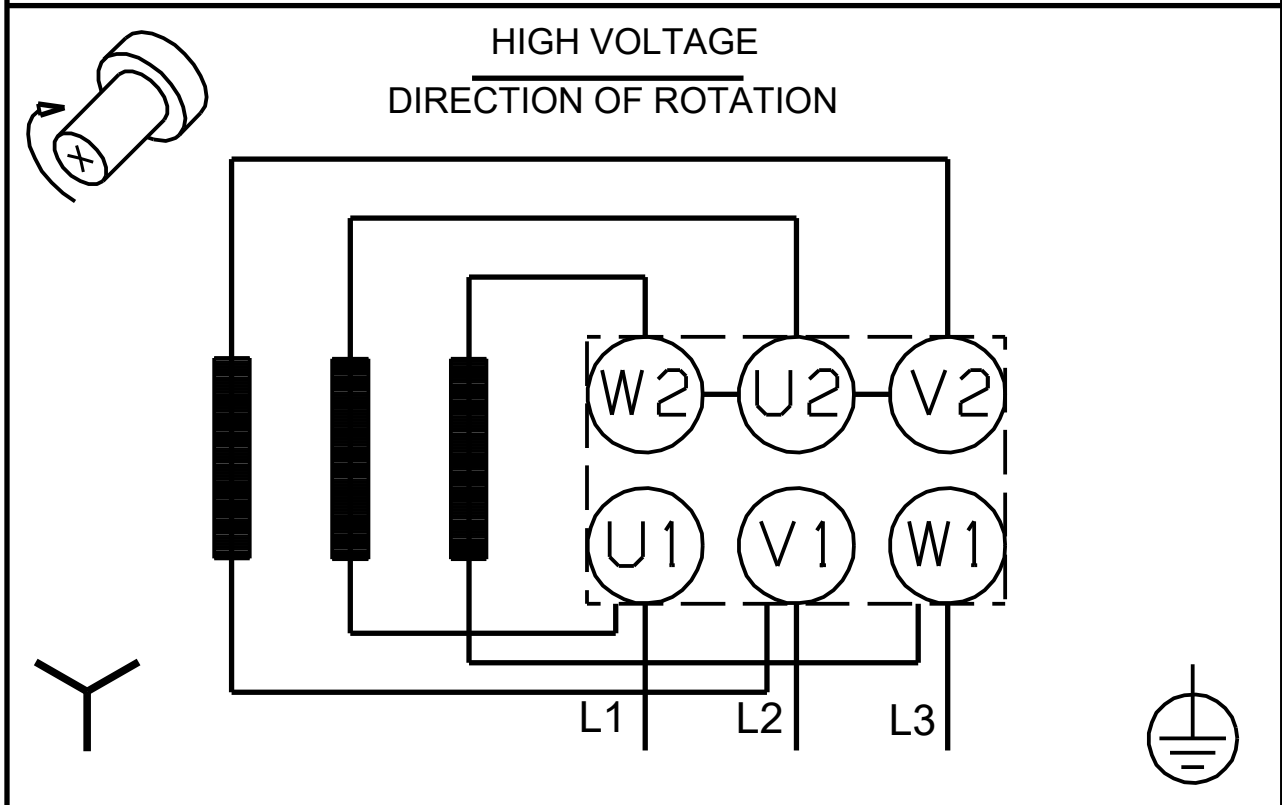
Description	Value
Others:	
Net weight:	8.2 kg
Gross weight:	9.2 kg
Shipping volume:	0.026 m ³
Danish VVS No.:	381871050
Country of origin:	HU
Custom tariff no.:	84137051

98346615 TP 32-50/2 A-O-I-BQQE-AX1 50 Hz



Note! All units are in [mm] unless others are stated.
Disclaimer: This simplified dimensional drawing does not show all details.

98346615 TP 32-50/2 A-O-I-BQQE-AX1 50 Hz



Note! All units are in [mm] unless others are stated.