

Qty.	Description
------	-------------

1	Insulation cooling
---	--------------------



Note! Product picture may differ from actual product

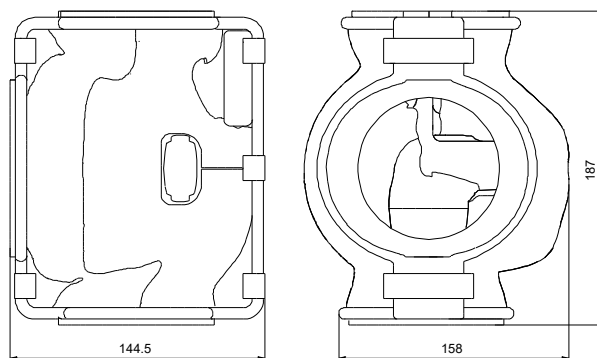
Product No.: [98354534](#)

The accessory is for single-head MAGNA pumps used in applications with ice build-up.

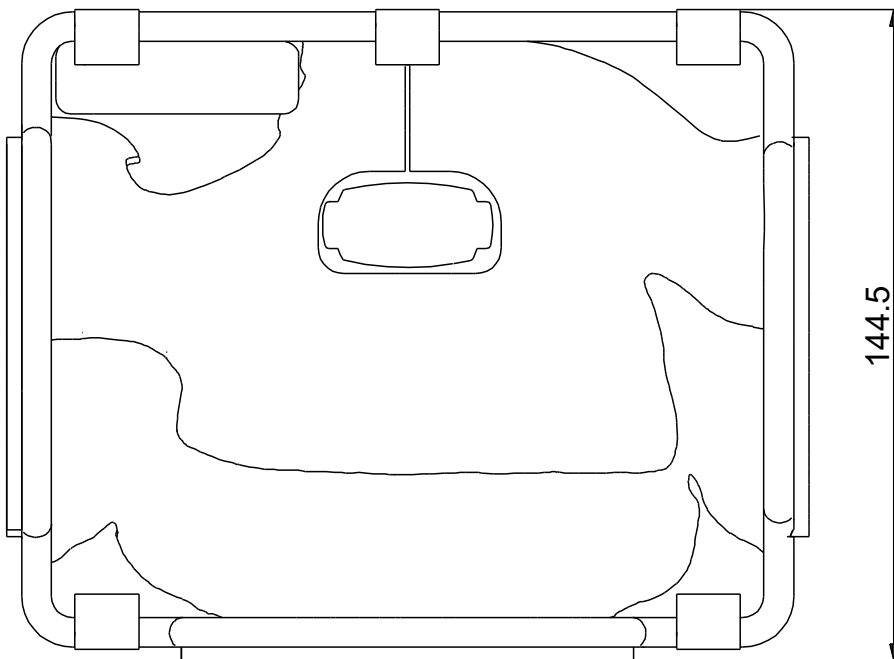
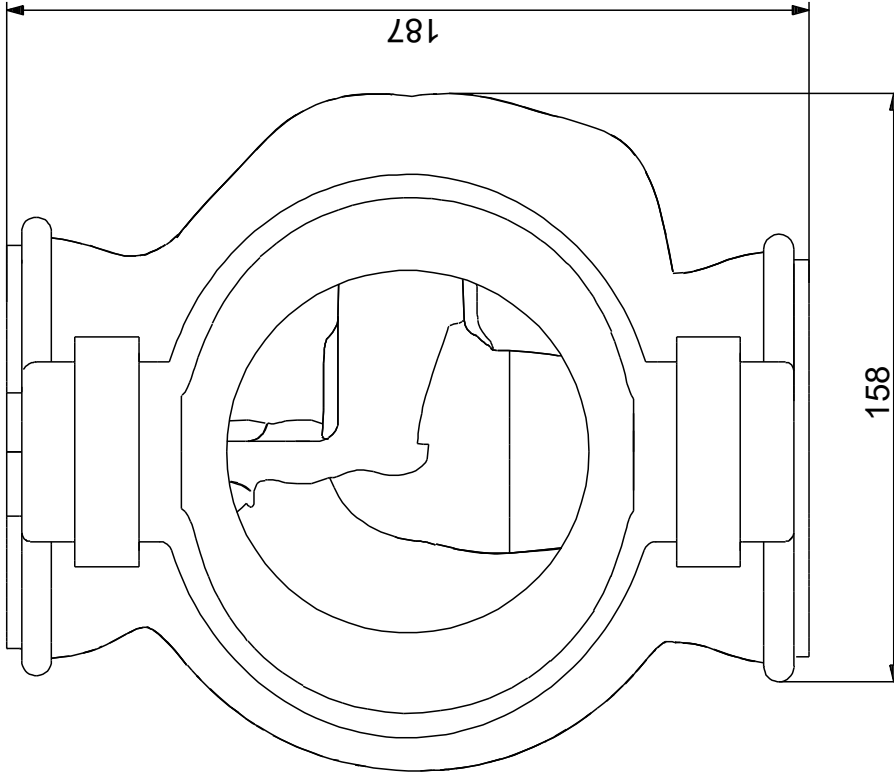
The accessory set consists of two polyurethane (PUR) shells and metal clamps to ensure tight assembly.

The dimensions of the insulating shells for air-conditioning and cooling systems differ from those of the insulating shells for heating systems. You can use the insulating shells for both stainless-steel and cast-iron pumps.

Description	Value
<b>General information:</b>	
Product name:	Insulation cooling
Product No:	<a href="#">98354534</a>
EAN number:	5711493534341
<b>Materials:</b>	
Material:	Polyethylene
<b>Others:</b>	
Net weight:	0.17 kg
Gross weight:	0.35 kg
Shipping volume:	0.01 m <sup>3</sup>
Fits to following products:	MAGNA3
Fits to variant:	25-40/60/80/100/120
Application type:	cooling
Danish VVS No.:	380791825



**98354534 Insulation cooling**



Note! All units are in [mm] unless others are stated.  
Disclaimer: This simplified dimensional drawing does not show all details.



**Company name:** Pump Sales Direct

**Created by:**

**Phone:**

**Date:** 15/06/2022

---

**Order Data:**

Product name: Insulation cooling

Amount: 1

Product No: 98354534

Total: Price on request

---