

Qty. Description

1 TPE3 40-150 S-A-F-I-BQQE-EAB



Note! Product picture may differ from actual product

Product No.: [98416506](#)

Single-stage, close-coupled, volute pump with in-line suction and discharge ports of identical diameter.

The pump is of the top-pull-out design, i.e. the power head (motor, pump head and impeller) can be removed for maintenance or service while the pump housing remains in the pipework.

The shaft seal is according to EN 12756. Pipework connection is via PN 6/10 DIN flanges (EN 1092-2 and ISO 7005-2).

The pump is fitted with a fan-cooled, permanent-magnet synchronous motor. The motor efficiency is classified as IE5 in accordance with IEC 60034-30-2.

The motor includes a frequency converter and PI controller in the motor terminal box. This enables continuously variable control of the motor speed, which again enables adaptation of the performance to a given requirement.

The pump is fitted with a combined temperature- and differential pressure sensor.

The stainless-steel pump housing makes the pump suitable for circulation of hot water.

The pump is suitable for applications requiring pressure or temperature control and offers following control modes:

- AUTOADAPT. This function continuously adjusts the proportional-pressure curve and automatically sets a more efficient curve without compromising comfort demands.
- FLOWADAPT. This control mode combines AUTOADAPT with a flow-limiting function. The pump continuously monitors the flow rate to ensure the desired maximum flow is not exceeded. This will save the cost of a separate pump-throttling valve.
- Constant differential pressure. The pump head is kept constant, independent of the flow in the system.
- Proportional pressure. The head of the pump will increase proportionally to the flow in the system to compensate for the large pressure losses in the distribution pipes.
- Constant temperature. The return-pipe temperature is kept constant. Note: If the pump is installed in the flow pipe, an external temperature sensor must be installed in the return pipe of the system.
- Constant differential temperature. The differential temperature can be measured by a differential-temperature sensor or two separate temperature sensors.
- Constant curve. The pump can be set to run at a constant speed in the range of 25 to 100 % of the maximum speed.

The product's minimum efficiency index (MEI) is greater or equal to 0.70. This is by the Commission Regulation (EU) considered as an indicative benchmark for best-performing water pump available on the market as from 1 January 2013.

The operating panel on the motor terminal box features a four-inch TFT display, push-buttons and the Grundfos Eye indicator.

The display gives an intuitive and user-friendly interface to all functions.

The push-buttons are used to navigate through the menu structure to access pump and performance data on site and enable setting of required setpoint as well as setting of pump to "Min." or "Max." operation or to "Stop".

The Grundfos Eye indicator on the operating panel provides visual indication of pump status:

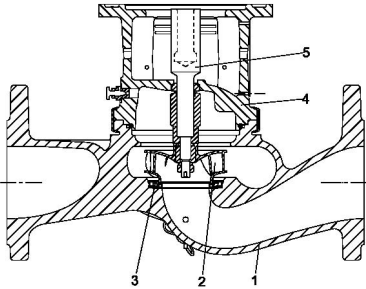
- "Power on": Motor is running (rotating green indicator lights) or not running (permanently green indicator lights)
- "Warning": Motor is still running (rotating yellow indicator lights) or has stopped (permanently yellow indicator lights)
- "Alarm": Motor has stopped (flashing red indicator lights).

Communication with the pump is also possible by means of Grundfos GO Remote (accessory). The remote control enables further settings as well as reading out of a number of parameters such as "Actual value", "Speed", "Power input" and total "Power consumption".

Qty. Description

1 Cast-iron parts have an epoxy-based coating made in a cathodic electro-deposition (CED) process. CED is a high-quality dip-painting process where an electrical field around the products ensures deposition of paint particles as a thin, well-controlled layer on the surface.

Pump



- 1: Pump housing
- 2: Impeller
- 3: Neck ring
- 4: Pump head/motor stool
- 5: Stub shaft

The pump housing is provided with a replaceable stainless steel/PTFE neck ring to reduce the amount of liquid running from the discharge side of the impeller to the suction side.

The impeller is secured to the shaft with a nut.

The pump is fitted with an unbalanced rubber bellows seal with torque transmission across the spring and around the bellows. Due to the bellows, the seal does not wear the shaft, and the axial movement is not prevented by deposits on the shaft.

Seal faces:

- Rotating seal ring material: silicon carbide (SiC)
- Stationary seat material: silicon carbide (SiC)

This material pairing is used where higher corrosion resistance is required. The high hardness of this material pairing offers good resistance against abrasive particles.

Secondary seal material: EPDM (ethylene-propylene rubber)

EPDM has excellent resistance to hot water. EPDM is not suitable for mineral oils.

The motor stool forms connection between the pump housing and the motor, and is equipped with a manual air vent screw for venting of the pump housing and the shaft seal chamber. The sealing between motor stool and pump housing is an O-ring.

The central part of the motor stool is provided with guards for protection against the shaft and coupling. The pump shaft is fastened directly on the motor shaft with key and set screws.

Motor

The motor is a totally enclosed, fan-cooled motor with principal dimensions to IEC and DIN standards. Electrical tolerances comply with IEC 60034.

The motor efficiency is classified as IE5 in accordance with IEC 60034-30-2.

The motor requires no external motor protection. The motor control unit incorporates protection against slow- and quick-rising temperatures, e.g. constant overload and stalled conditions.

The terminal box holds terminals for these connections:

- one dedicated digital input
- two analog inputs, 0(4)-20 mA, 0-10 V
- one configurable digital input or open-collector output
- Grundfos combined temperature and differential pressure sensor (separate connected)
- 24 V voltage supply for sensors
- two signal relay outputs (potential-free contacts)
- GENIbus connection
- interface for Grundfos CIM fieldbus module.

Further product details

Qty.	Description
1	<p data-bbox="204 338 1453 416">Cast-iron parts have an epoxy-based coating made in a cathodic electro-deposition (CED) process. CED is a high-quality dip-painting process where an electrical field around the products ensures deposition of paint particles as a thin, well-controlled layer on the surface.</p> <p data-bbox="204 483 400 517">Technical data</p> <p data-bbox="204 551 300 573">Controls:</p> <p data-bbox="204 577 639 607">Frequency converter: Built-in</p> <p data-bbox="204 640 272 663">Liquid:</p> <p data-bbox="204 667 632 696">Pumped liquid: Water</p> <p data-bbox="204 701 703 730">Liquid temperature range: -25 .. 120 °C</p> <p data-bbox="204 734 632 763">Selected liquid temperature: 20 °C</p> <p data-bbox="204 768 695 797">Density: 998.2 kg/m³</p> <p data-bbox="204 819 312 842">Technical:</p> <p data-bbox="204 846 815 875">Pump speed on which pump data are based: 3900 rpm</p> <p data-bbox="204 880 671 909">Rated flow: 16.1 m³/h</p> <p data-bbox="204 913 632 943">Rated head: 9.3 m</p> <p data-bbox="204 947 639 976">Actual impeller diameter: 74 mm</p> <p data-bbox="204 981 632 1010">Code for shaft seal: BQQE</p> <p data-bbox="204 1014 775 1043">Curve tolerance: ISO9906:2012 3B2</p> <p data-bbox="204 1066 312 1088">Materials:</p> <p data-bbox="204 1093 719 1167">Pump housing: Stainless steel EN 1.4308 ASTM CF8</p> <p data-bbox="204 1171 719 1245">Impeller: Composite PES+30% GF</p> <p data-bbox="204 1267 328 1290">Installation:</p> <p data-bbox="204 1294 687 1323">Range of ambient temperature: -20 .. 50 °C</p> <p data-bbox="204 1328 632 1357">Maximum operating pressure: 10 bar</p> <p data-bbox="204 1361 727 1391">Max pressure at stated temp: 10 bar / 120 °C</p> <p data-bbox="204 1395 608 1424">Type of connection: DIN</p> <p data-bbox="204 1429 632 1458">Size of connection: DN 40</p> <p data-bbox="204 1462 655 1491">Pressure rating for connection: PN 6/10</p> <p data-bbox="204 1496 655 1525">Port-to-port length: 250 mm</p> <p data-bbox="204 1529 608 1559">Flange size for motor: 56C</p> <p data-bbox="204 1581 360 1603">Electrical data:</p> <p data-bbox="204 1608 608 1637">Motor type: 71A</p> <p data-bbox="204 1641 600 1671">IE Efficiency class: IE5</p> <p data-bbox="204 1675 655 1704">Rated power - P2: 0.55 kW</p> <p data-bbox="204 1709 679 1738">Mains frequency: 50 / 60 Hz</p> <p data-bbox="204 1742 719 1771">Rated voltage: 1 x 200-240 V</p> <p data-bbox="204 1776 695 1805">Rated current: 3.45-2.90 A</p> <p data-bbox="204 1809 608 1839">Cos phi - power factor: 0.98</p> <p data-bbox="204 1843 719 1872">Rated speed: 360-4000 rpm</p> <p data-bbox="204 1877 632 1906">Efficiency: 85.3%</p> <p data-bbox="204 1910 639 1939">Motor efficiency at full load: 85.3 %</p> <p data-bbox="204 1944 608 1973">Enclosure class (IEC 34-5): IP55</p> <p data-bbox="204 1977 568 2007">Insulation class (IEC 85): F</p> <p data-bbox="204 2011 671 2040">Motor No: 99137985</p> <p data-bbox="204 2063 280 2085">Others:</p> <p data-bbox="204 2089 632 2119">Minimum efficiency index, MEI ≥: 0.70</p> <p data-bbox="204 2123 632 2152">Net weight: 23 kg</p>



Company name:

Created by:

Phone:

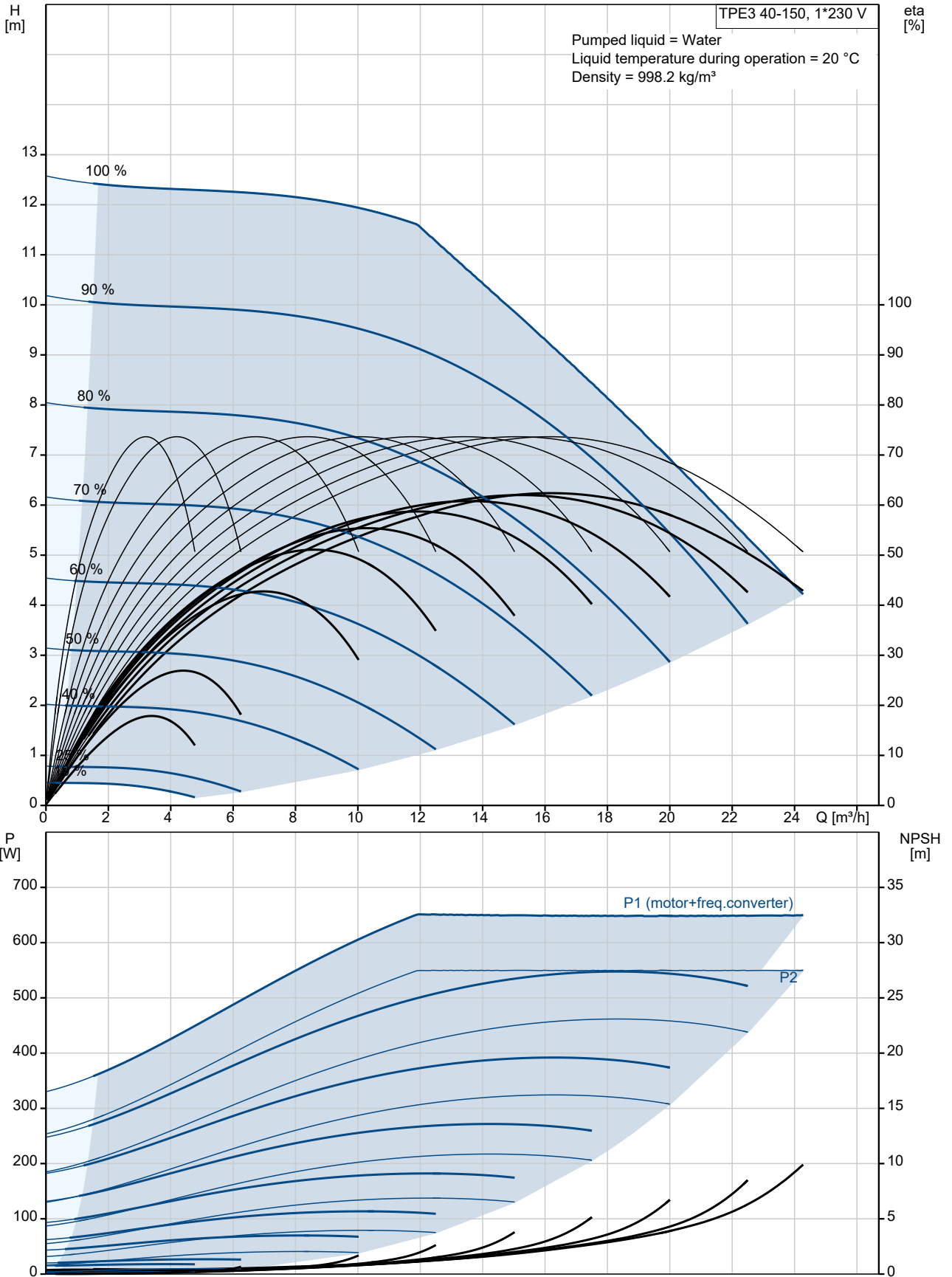
Date:

05/08/2022

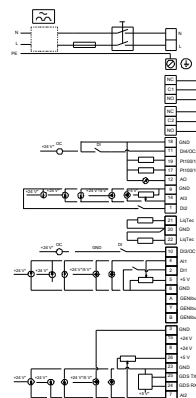
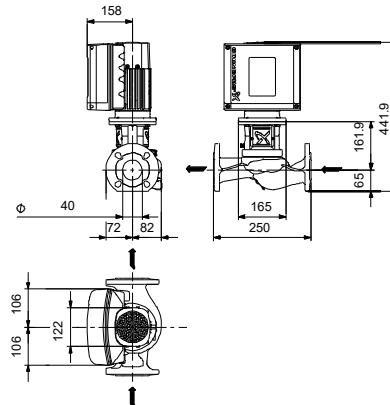
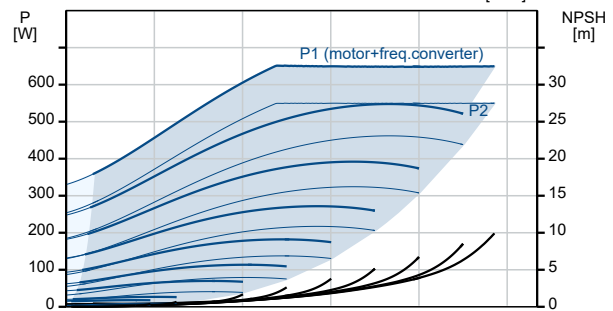
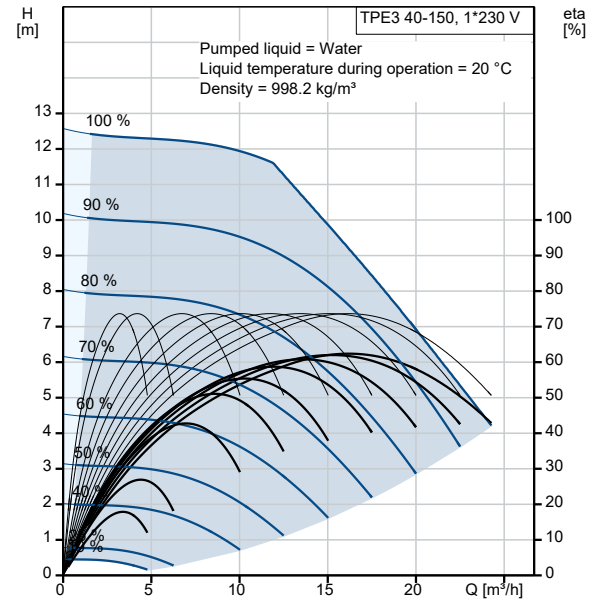
Qty.	Description
------	-------------

1	Gross weight: 30.2 kg
	Shipping volume: 0.104 m ³
	Danish VVS No.: 382141150
	Country of origin: HU
	Custom tariff no.: 84137051

98416506 TPE3 40-150 S-A-F-I-BQQE-EAB



Description	Value
General information:	
Product name:	TPE3 40-150 S-A-F-I-BQQE-EAB
Product No:	98416506
EAN number:	5711494652556
Technical:	
Pump speed on which pump data are based:	3900 rpm
Rated flow:	16.1 m ³ /h
Rated head:	9.3 m
Maximum head:	150 dm
Actual impeller diameter:	74 mm
Code for shaft seal:	BQQE
Curve tolerance:	ISO9906:2012 3B2
Pump version:	A
Materials:	
Pump housing:	Stainless steel
Pump housing:	EN 1.4308
Pump housing:	ASTM CF8
Impeller:	Composite
Impeller:	PES+30% GF
Material code:	I
Installation:	
Range of ambient temperature:	-20 .. 50 °C
Maximum operating pressure:	10 bar
Max pressure at stated temp:	10 bar / 120 °C
Type of connection:	DIN
Size of connection:	DN 40
Pressure rating for connection:	PN 6/10
Port-to-port length:	250 mm
Flange size for motor:	56C
Connect code:	F
Liquid:	
Pumped liquid:	Water
Liquid temperature range:	-25 .. 120 °C
Selected liquid temperature:	20 °C
Density:	998.2 kg/m ³
Electrical data:	
Motor type:	71A
IE Efficiency class:	IE5
Rated power - P2:	0.55 kW
Mains frequency:	50 / 60 Hz
Rated voltage:	1 x 200-240 V
Rated current:	3.45-2.90 A
Cos phi - power factor:	0.98
Rated speed:	360-4000 rpm
Efficiency:	85.3%
Motor efficiency at full load:	85.3 %
Enclosure class (IEC 34-5):	IP55
Insulation class (IEC 85):	F
Built-in motor protection:	ELEC
Motor No:	99137985
Controls:	
Control panel:	HMI300 - Graphical
Function Module:	FM300 - Advanced
Frequency converter:	Built-in
Others:	
Minimum efficiency index, MEI ≥:	0.70
Net weight:	23 kg





Company name:

Created by:

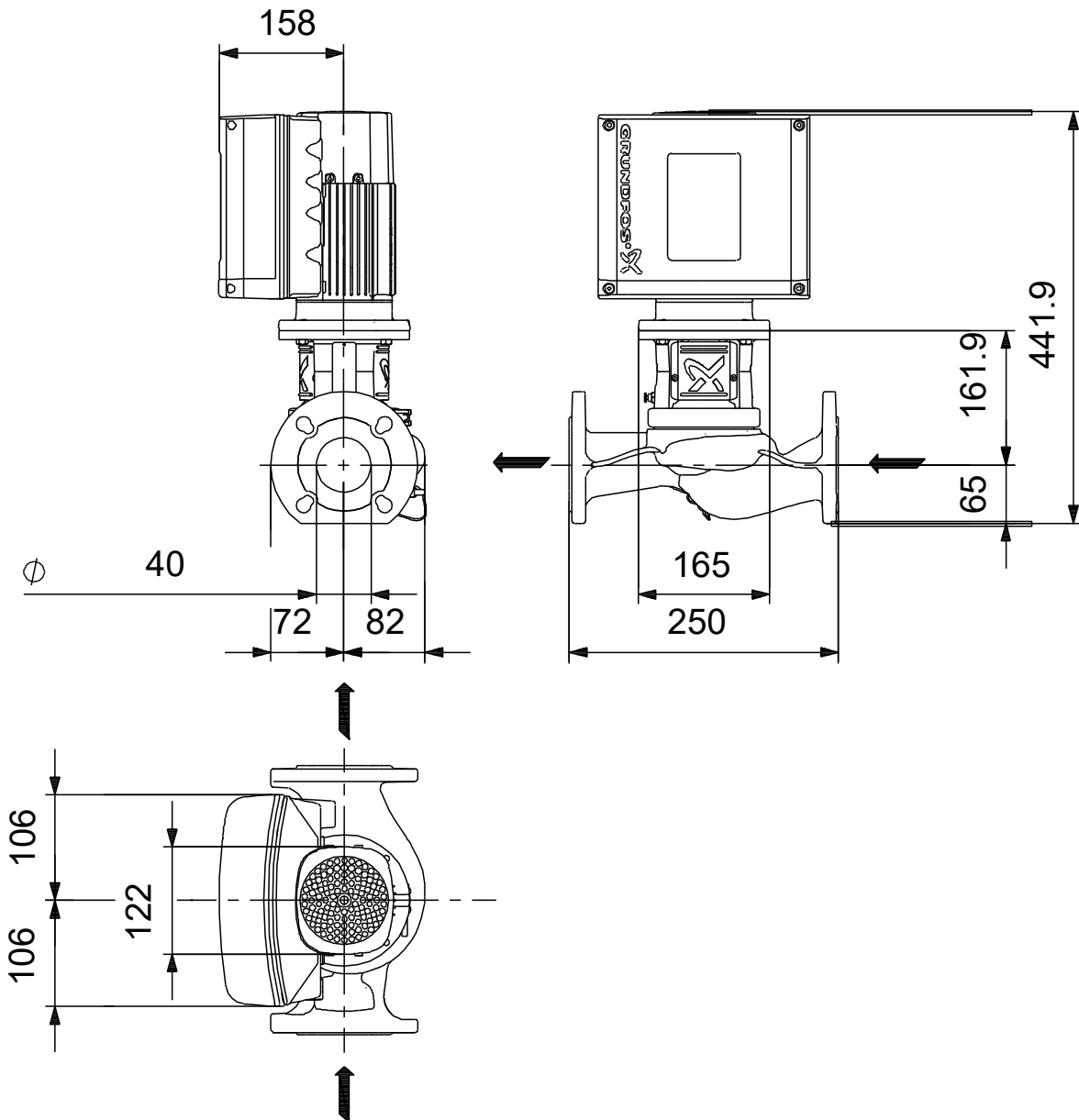
Phone:

Date:

05/08/2022

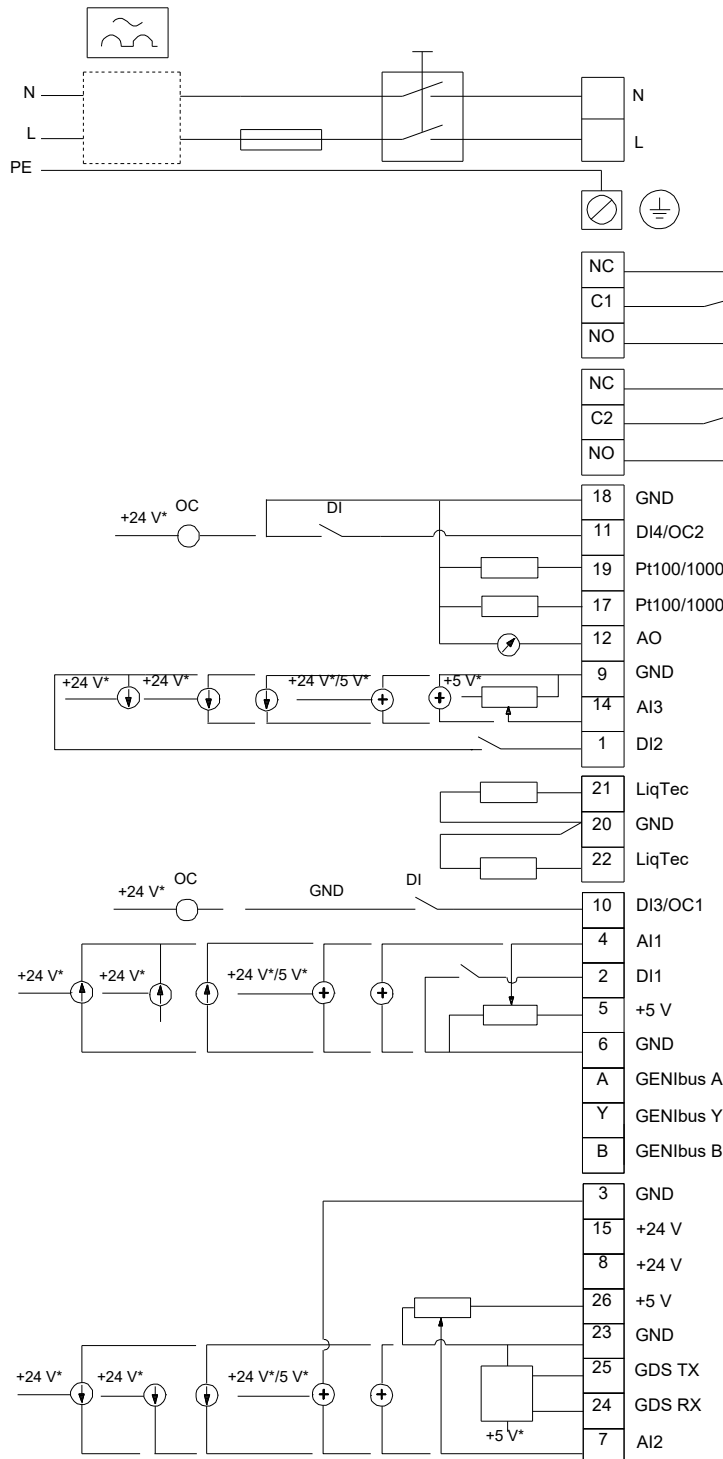
Description	Value
Gross weight:	30.2 kg
Shipping volume:	0.104 m ³
Config. file no:	98481392
Danish VVS No.:	382141150
Country of origin:	HU
Custom tariff no.:	84137051

98416506 TPE3 40-150 S-A-F-I-BQQE-EAB



Note! All units are in [mm] unless others are stated.
Disclaimer: This simplified dimensional drawing does not show all details.

98416506 TPE3 40-150 S-A-F-I-BQQE-EAB



Note! All units are in [mm] unless others are stated.

