
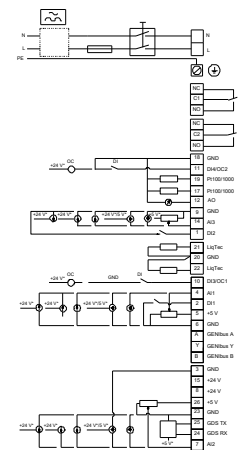
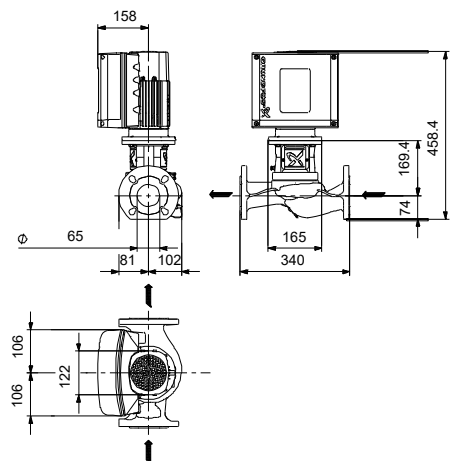
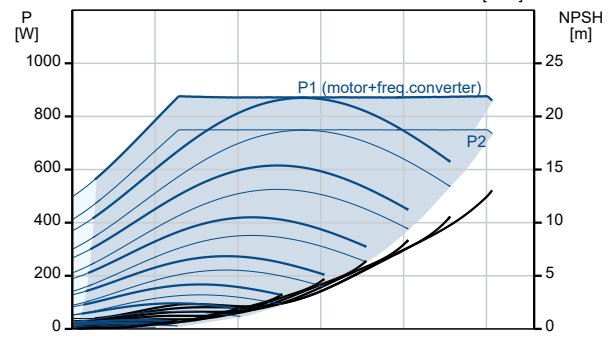
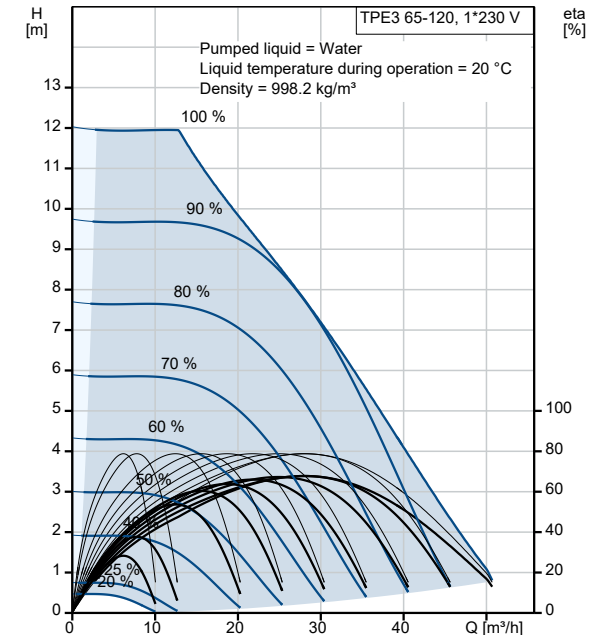


Qty.	Description
1	<p data-bbox="199 159 571 188">TPE3 65-120 S-A-F-I-BQQE-FAB</p>  <p data-bbox="592 506 1064 530">Note! Product picture may differ from actual product</p> <p data-bbox="199 539 480 564">Product No.: On request</p> <p data-bbox="199 600 1401 678">Single-stage, close-coupled, volute pump with in-line suction and discharge ports of identical diameter. The pump is of the top-pull-out design, i.e. the power head (motor, pump head and impeller) can be removed for maintenance or service while the pump housing remains in the pipework.</p> <p data-bbox="199 687 1382 739">The shaft seal is according to EN 12756. Pipework connection is via PN 6/10 DIN flanges (EN 1092-2 and ISO 7005-2).</p> <p data-bbox="199 745 1452 797">The pump is fitted with a fan-cooled, permanent-magnet synchronous motor. The motor efficiency is classified as IE5 in accordance with IEC 60034-30-2.</p> <p data-bbox="199 804 1396 855">The motor includes a frequency converter and PI controller in the motor terminal box. This enables continuously variable control of the motor speed, which again enables adaptation of the performance to a given requirement.</p> <p data-bbox="199 862 1070 887">The pump is fitted with a combined temperature- and differential pressure sensor.</p> <p data-bbox="199 920 300 945">Controls:</p> <p data-bbox="199 952 639 976">Frequency converter: Built-in</p> <p data-bbox="199 1010 276 1034">Liquid:</p> <p data-bbox="199 1041 632 1066">Pumped liquid: Water</p> <p data-bbox="199 1072 703 1097">Liquid temperature range: -25 .. 120 °C</p> <p data-bbox="199 1104 628 1128">Selected liquid temperature: 20 °C</p> <p data-bbox="199 1135 695 1160">Density: 998.2 kg/m³</p> <p data-bbox="199 1193 316 1218">Technical:</p> <p data-bbox="199 1225 818 1249">Pump speed on which pump data are based: 3530 rpm</p> <p data-bbox="199 1256 671 1281">Rated flow: 28.8 m³/h</p> <p data-bbox="199 1288 628 1312">Rated head: 7.6 m</p> <p data-bbox="199 1319 639 1344">Actual impeller diameter: 78 mm</p> <p data-bbox="199 1350 636 1375">Code for shaft seal: BQQE</p> <p data-bbox="199 1382 772 1406">Curve tolerance: ISO9906:2012 3B2</p> <p data-bbox="199 1440 309 1464">Materials:</p> <p data-bbox="199 1471 724 1541">Pump housing: Stainless steel EN 1.4308 ASTM CF8</p> <p data-bbox="199 1547 719 1599">Impeller: Composite PES+30% GF</p> <p data-bbox="199 1635 325 1659">Installation:</p> <p data-bbox="199 1666 691 1691">Range of ambient temperature: -20 .. 50 °C</p> <p data-bbox="199 1697 636 1722">Maximum operating pressure: 10 bar</p> <p data-bbox="199 1729 730 1753">Max pressure at stated temp: 10 bar / 120 °C</p> <p data-bbox="199 1760 608 1785">Type of connection: DIN</p> <p data-bbox="199 1792 636 1816">Size of connection: DN 65</p> <p data-bbox="199 1823 655 1848">Pressure rating for connection: PN 6/10</p> <p data-bbox="199 1854 655 1879">Port-to-port length: 340 mm</p> <p data-bbox="199 1886 608 1910">Flange size for motor: 56C</p> <p data-bbox="199 1944 363 1968">Electrical data:</p> <p data-bbox="199 1975 608 2000">Motor type: 80A</p> <p data-bbox="199 2007 604 2031">IE Efficiency class: IE5</p> <p data-bbox="199 2038 655 2063">Rated power - P2: 0.75 kW</p> <p data-bbox="199 2069 679 2094">Mains frequency: 50 / 60 Hz</p> <p data-bbox="199 2101 719 2125">Rated voltage: 1 x 200-240 V</p>

Qty.	Description
1	<p>Rated current: 4.70-3.90 A Cos phi - power factor: 0.99 Rated speed: 360-4000 rpm Efficiency: 85.2% Motor efficiency at full load: 85.2 % Enclosure class (IEC 34-5): IP55 Insulation class (IEC 85): F Motor No: 99137986</p> <p>Others: Minimum efficiency index, MEI ≥: 0.70 Net weight: 27.8 kg Gross weight: 36.5 kg Shipping volume: 0.164 m³ Danish VVS No.: 382143120 Country of origin: HU Custom tariff no.: 84137051</p>

Description	Value
General information:	
Product name:	TPE3 65-120 S-A-F-I-BQQE-FAB
Product No:	On request
EAN number:	On request
Technical:	
Pump speed on which pump data are based:	3530 rpm
Rated flow:	28.8 m ³ /h
Rated head:	7.6 m
Maximum head:	120 dm
Actual impeller diameter:	78 mm
Code for shaft seal:	BQQE
Curve tolerance:	ISO9906:2012 3B2
Pump version:	A
Materials:	
Pump housing:	Stainless steel
Pump housing:	EN 1.4308
Pump housing:	ASTM CF8
Impeller:	Composite
Impeller:	PES+30% GF
Material code:	I
Installation:	
Range of ambient temperature:	-20 .. 50 °C
Maximum operating pressure:	10 bar
Max pressure at stated temp:	10 bar / 120 °C
Type of connection:	DIN
Size of connection:	DN 65
Pressure rating for connection:	PN 6/10
Port-to-port length:	340 mm
Flange size for motor:	56C
Connect code:	F
Liquid:	
Pumped liquid:	Water
Liquid temperature range:	-25 .. 120 °C
Selected liquid temperature:	20 °C
Density:	998.2 kg/m ³
Electrical data:	
Motor type:	80A
IE Efficiency class:	IE5
Rated power - P2:	0.75 kW
Mains frequency:	50 / 60 Hz
Rated voltage:	1 x 200-240 V
Rated current:	4.70-3.90 A
Cos phi - power factor:	0.99
Rated speed:	360-4000 rpm
Efficiency:	85.2%
Motor efficiency at full load:	85.2 %
Enclosure class (IEC 34-5):	IP55
Insulation class (IEC 85):	F
Built-in motor protection:	ELEC
Motor No:	99137986
Controls:	
Control panel:	HMI300 - Graphical
Function Module:	FM300 - Advanced
Frequency converter:	Built-in
Others:	
Minimum efficiency index, MEI ≥:	0.70
Net weight:	27.8 kg
Gross weight:	36.5 kg
Shipping volume:	0.164 m ³
Config. file no:	98481404
Danish VVS No.:	382143120
Country of origin:	HU

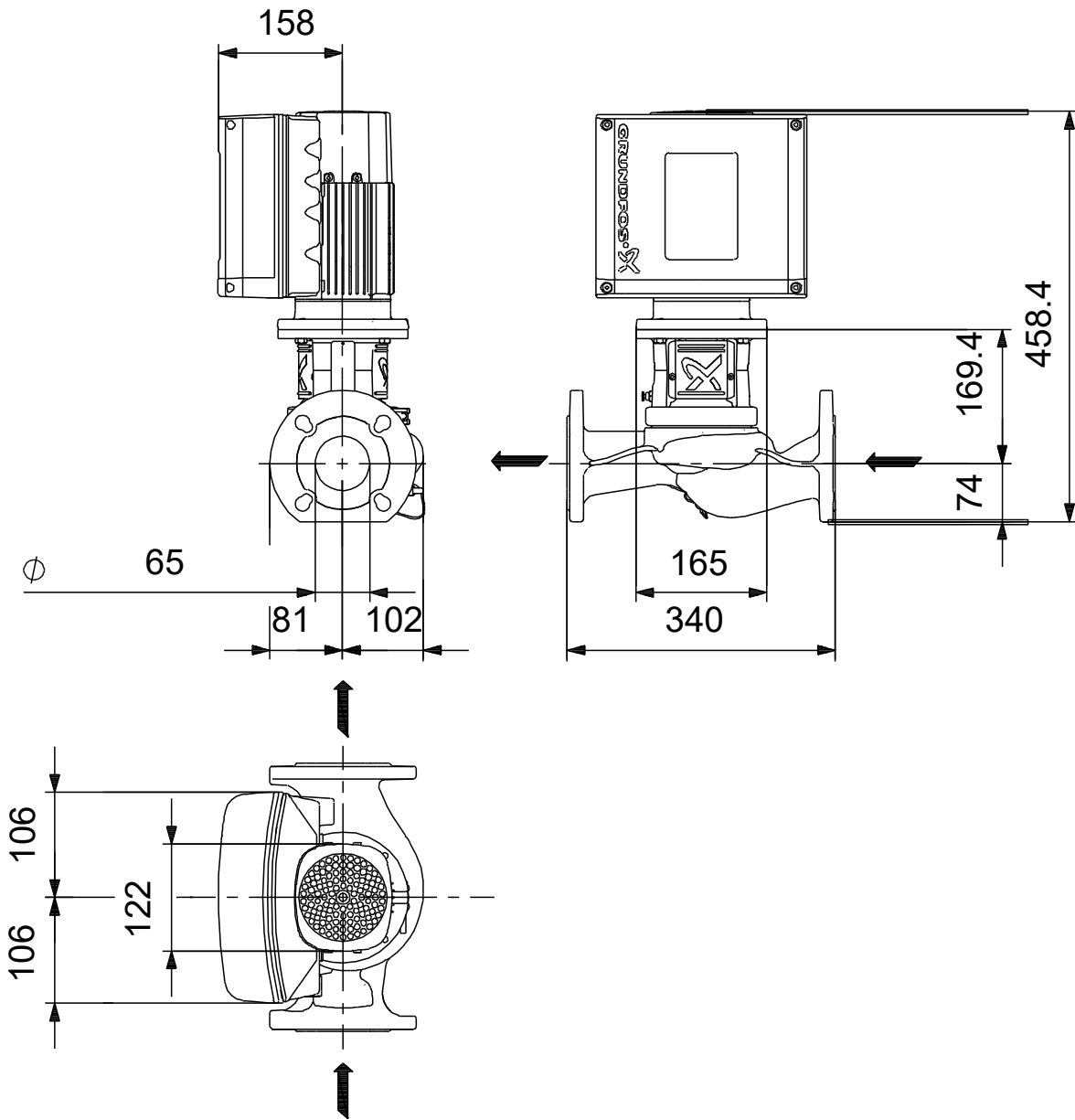


Description**Value**

Custom tariff no.:

84137051

On request TPE3 65-120 S-A-F-I-BQQE-FAB



Note! All units are in [mm] unless others are stated.
Disclaimer: This simplified dimensional drawing does not show all details.

