
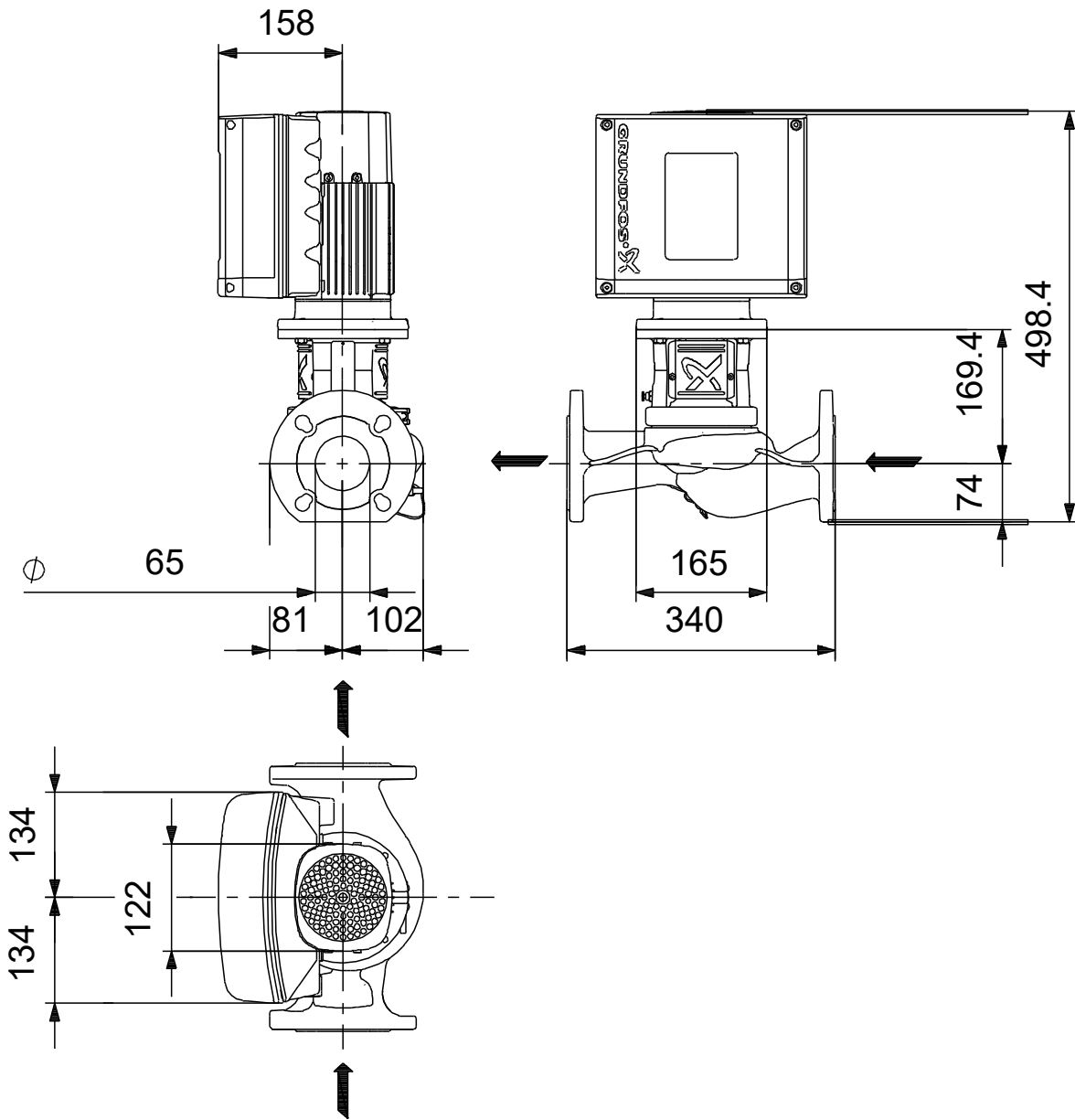


Qty.	Description
1	TPE3 65-80 S-A-F-I-BQQE-EDB
	
	<p>Note! Product picture may differ from actual product</p>
	<p>Product No.: On request</p>
	<p>Single-stage, close-coupled, volute pump with in-line suction and discharge ports of identical diameter. The pump is of the top-pull-out design, i.e. the power head (motor, pump head and impeller) can be removed for maintenance or service while the pump housing remains in the pipework.</p>
	<p>The shaft seal is according to EN 12756. Pipework connection is via PN 6/10 DIN flanges (EN 1092-2 and ISO 7005-2).</p>
	<p>The pump is fitted with a fan-cooled, permanent-magnet synchronous motor. The motor efficiency is classified as IE5 in accordance with IEC 60034-30-2.</p>
	<p>The motor includes a frequency converter and PI controller in the motor terminal box. This enables continuously variable control of the motor speed, which again enables adaptation of the performance to a given requirement.</p>
	<p>The pump is fitted with a combined temperature- and differential pressure sensor.</p>
	<p>Controls:</p>
	<p>Frequency converter: Built-in</p>
	<p>Liquid:</p>
	<p>Pumped liquid: Water</p>
	<p>Liquid temperature range: -25 .. 120 °C</p>
	<p>Selected liquid temperature: 20 °C</p>
	<p>Density: 998.2 kg/m³</p>
	<p>Technical:</p>
	<p>Pump speed on which pump data are based: 3000 rpm</p>
	<p>Rated flow: 24.9 m³/h</p>
	<p>Rated head: 5.7 m</p>
	<p>Actual impeller diameter: 78 mm</p>
	<p>Code for shaft seal: BQQE</p>
	<p>Curve tolerance: ISO9906:2012 3B2</p>
	<p>Materials:</p>
	<p>Pump housing: Stainless steel</p>
	<p>EN 1.4308</p>
	<p>ASTM CF8</p>
	<p>Impeller:</p>
	<p>Composite</p>
	<p>PES+30% GF</p>
	<p>Installation:</p>
	<p>Range of ambient temperature: -20 .. 50 °C</p>
	<p>Maximum operating pressure: 10 bar</p>
	<p>Max pressure at stated temp: 10 bar / 120 °C</p>
	<p>Type of connection: DIN</p>
	<p>Size of connection: DN 65</p>
	<p>Pressure rating for connection: PN 6/10</p>
	<p>Port-to-port length: 340 mm</p>
	<p>Flange size for motor: 56C</p>
	<p>Electrical data:</p>
	<p>Motor type: 71A</p>
	<p>IE Efficiency class: IE5</p>
	<p>Rated power - P2: 0.55 kW</p>
	<p>Mains frequency: 50 / 60 Hz</p>
	<p>Rated voltage: 3 x 380-500 V</p>

Qty.	Description
1	<p>Rated current: 1.35-1.30 A Cos phi - power factor: 0.77-0.61 Rated speed: 360-4000 rpm Efficiency: 85.9% Motor efficiency at full load: 85.9 % Enclosure class (IEC 34-5): IP55 Insulation class (IEC 85): F Motor No: 99137999</p> <p>Others: Minimum efficiency index, MEI ≥: 0.70 Net weight: 29.5 kg Gross weight: 38.2 kg Shipping volume: 0.164 m³ Danish VVS No.: 382153080 Finnish LVI No.: 4616337 Country of origin: HU Custom tariff no.: 84137051</p>

Description	Value
Country of origin:	HU
Custom tariff no.:	84137051

On request TPE3 65-80 S-A-F-I-BQQE-EDB



Note! All units are in [mm] unless others are stated.
Disclaimer: This simplified dimensional drawing does not show all details.

