
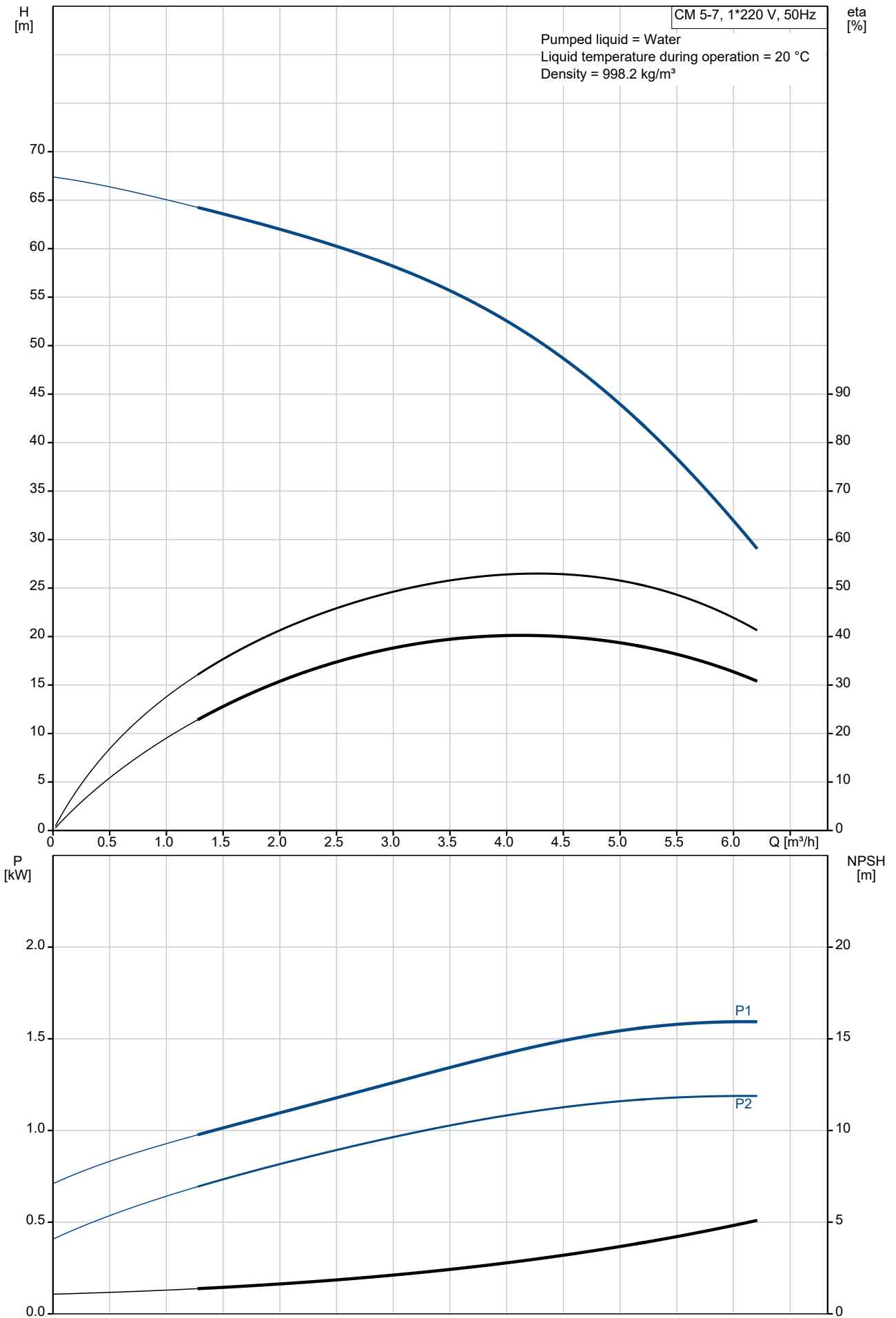


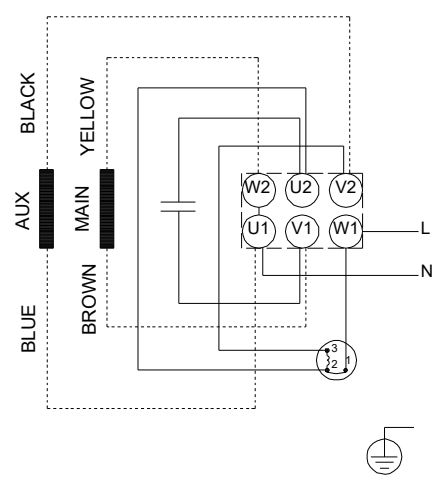
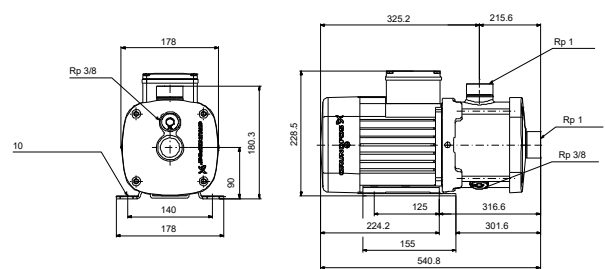
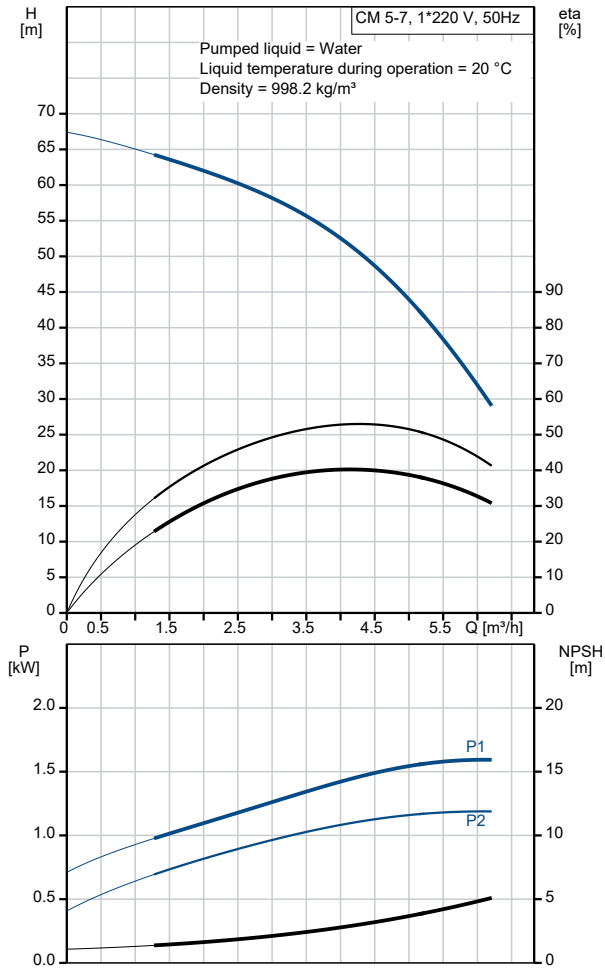
Qty.	Description
1	<b>CM 5-7 O-R-I-E-AQQE C-A-A-N</b>
	
	Product No.: On request
	Compact, reliable, horizontal, multistage, end-suction centrifugal pump with axial suction port and radial discharge port. The pump is self-priming and can create a suction lift of up to 8 m metres. Pump materials in contact with the liquid are in stainless steel. The mechanical shaft seal is a special designed, unbalanced O-ring seal. Pipework connection is via internal Whitworth pipe threads, Rp (ISO 7/1).
	The pump is fitted with a 1-phase, foot-mounted, fan-cooled asynchronous motor.
	<b>Controls:</b>
	Frequency converter: NONE
	<b>Liquid:</b>
	Pumped liquid: Water
	Liquid temperature range: 0 .. 60 °C
	Selected liquid temperature: 20 °C
	Density: 998.2 kg/m <sup>3</sup>
	<b>Technical:</b>
	Pump speed on which pump data are based: 2900 rpm
	Rated flow: 4.7 m <sup>3</sup> /h
	Rated head: 53.81 m
	Code for shaft seal: AQQE
	Approvals: CE,EAC
	Approvals for drinking water: WRAS,ACS,UBA
	Curve tolerance: ISO9906:2012 3B
	Self priming: 8 m
	<b>Materials:</b>
	Pump housing: Stainless steel EN 1.4301 AISI 304
	Impeller: Stainless steel EN 1.4301 AISI 304
	<b>Installation:</b>
	Range of ambient temperature: -20 .. 55 °C
	Maximum operating pressure: 16 bar
	Max pressure at stated temp: 16 bar / 60 °C 16 bar / 60 °C
	Type of connection: Rp
	Size of inlet connection: 1 inch
	Size of outlet connection: 1 inch
	Outlet position: 12
	<b>Electrical data:</b>
	Motor standard: IEC
	Frame size: 90SA
	Rated power - P2: 1.3 kW
	Mains frequency: 50 Hz
	Suitable for 50/60 Hz: N
	Rated voltage: 1 x 220-240 V V
	Service factor: 1.00
	Rated current: 8.4-8.0 A

Qty.	Description
1	<p>Starting current: 340-340 %  Rated speed: 2710 rpm  Enclosure class (IEC 34-5): IP55  Insulation class (IEC 85): F  Built-in motor protection: PTO</p> <p>Others:  Terminal box position: 12  Minimum efficiency index, MEI ≥: 0.7  Net weight: 23.3 kg  Gross weight: 25.8 kg  Country of origin: HU  Custom tariff no.: 84137075</p>

# On request CM 5-7 O-R-I-E-AQQE C-A-A-N 50 Hz



Description	Value
<b>General information:</b>	
Product name:	CM 5-7 O-R-I-E-AQQE C-A-A-N
Product No:	On request
EAN number:	On request
<b>Technical:</b>	
Pump speed on which pump data are based:	2900 rpm
Rated flow:	4.7 m <sup>3</sup> /h
Rated head:	53.81 m
Impellers:	7
Code for shaft seal:	AQQE
Approvals:	CE,EAC
Approvals for drinking water:	WRAS,ACS,UBA
Curve tolerance:	ISO9906:2012 3B
Pump version:	O
Model:	A
Self priming:	8 m
<b>Materials:</b>	
Pump housing:	Stainless steel
Pump housing:	EN 1.4301
Pump housing:	AISI 304
Impeller:	Stainless steel
Impeller:	EN 1.4301
Impeller:	AISI 304
Material code:	I
Code for rubber:	E
<b>Installation:</b>	
Range of ambient temperature:	-20 .. 55 °C
Maximum operating pressure:	16 bar
Max pressure at stated temp:	16 bar / 60 °C
Max pressure at stated temp:	16 bar / 60 °C
Type of connection:	Rp
Size of inlet connection:	1 inch
Size of outlet connection:	1 inch
Outlet position:	12
Connect code:	R
<b>Liquid:</b>	
Pumped liquid:	Water
Liquid temperature range:	0 .. 60 °C
Selected liquid temperature:	20 °C
Density:	998.2 kg/m <sup>3</sup>
<b>Electrical data:</b>	
Motor standard:	IEC
Frame size:	90SA
Rated power - P2:	1.3 kW
Mains frequency:	50 Hz
Suitable for 50/60 Hz:	N
Rated voltage:	1 x 220-240 V V
Service factor:	1.00
Rated current:	8.4-8.0 A
Starting current:	340-340 %
Rated speed:	2710 rpm
Enclosure class (IEC 34-5):	IP55
Insulation class (IEC 85):	F
Built-in motor protection:	PTO
<b>Controls:</b>	
Frequency converter:	NONE
<b>Others:</b>	
Terminal box position:	12
Minimum efficiency index, MEI ≥:	0.7
Net weight:	23.3 kg
Gross weight:	25.8 kg
Country of origin:	HU

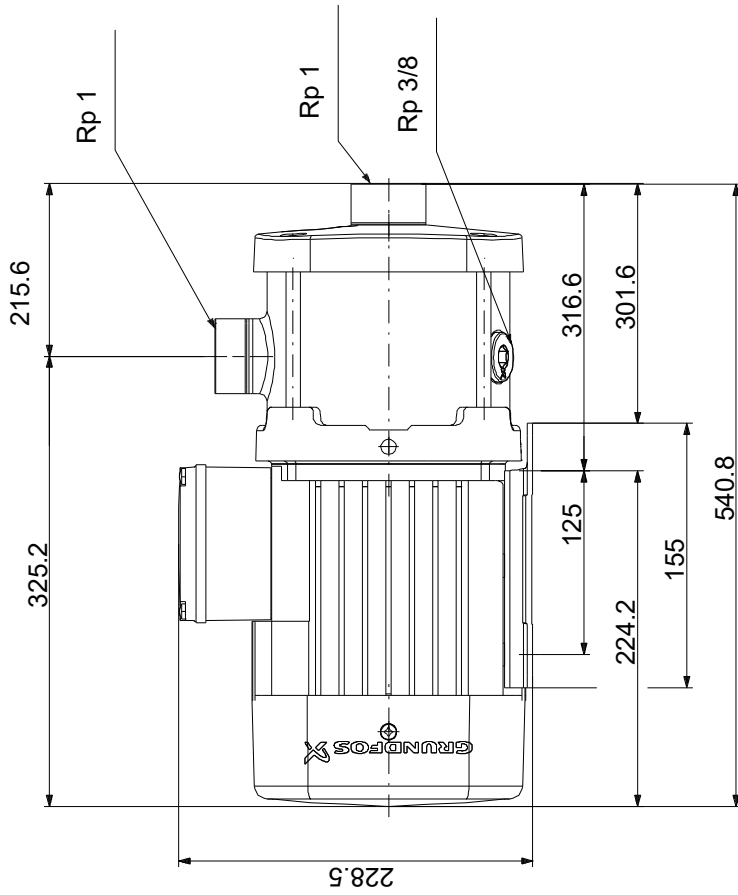


**Description****Value**

Custom tariff no.:

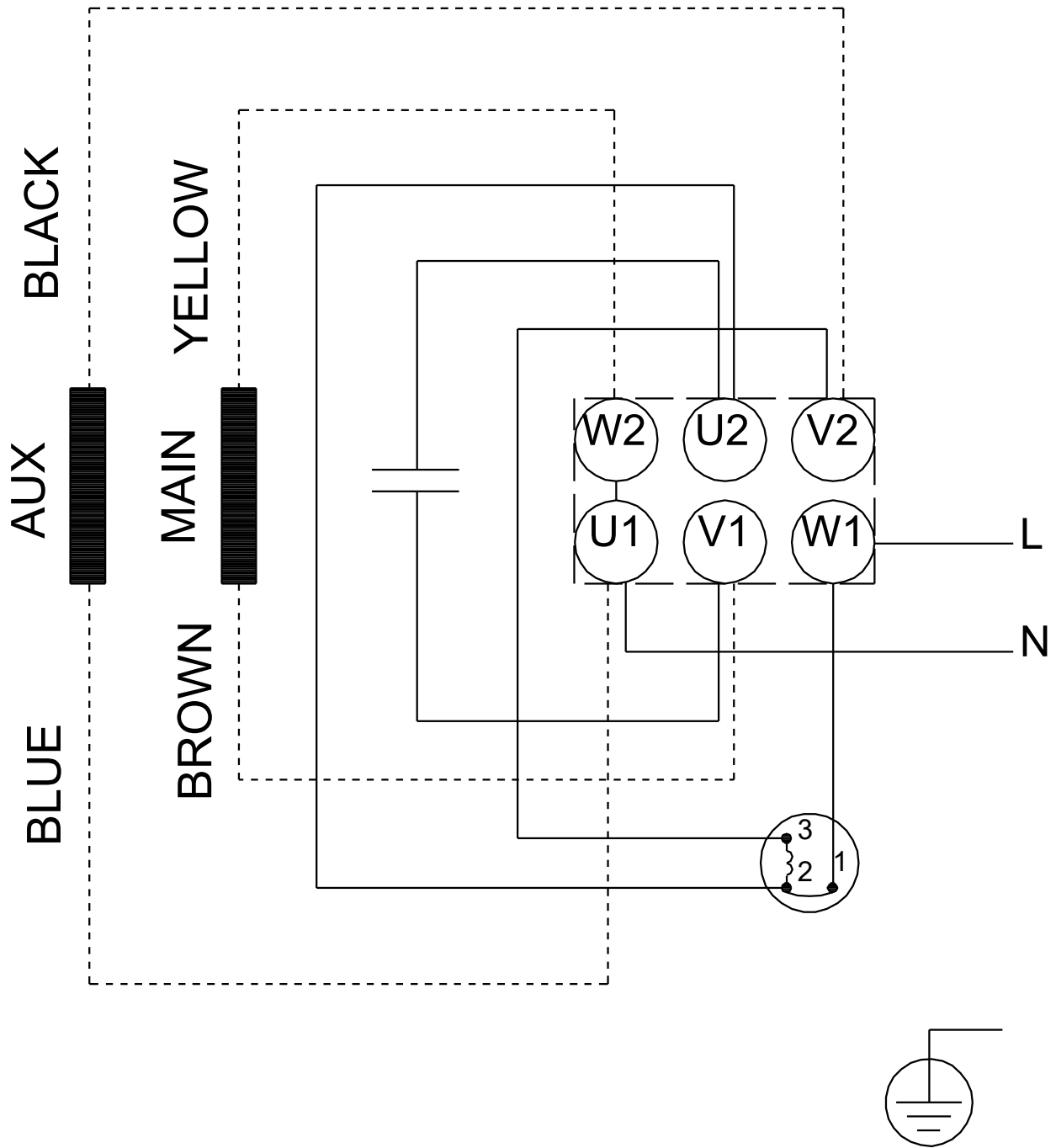
84137075

# On request CM 5-7 O-R-I-E-AQQE C-A-A-N 50 Hz



Note! All units are in [mm] unless others are stated.  
 Disclaimer: This simplified dimensional drawing does not show all details.

On request CM 5-7 O-R-I-E-AQQE C-A-A-N 50 Hz



Note! All units are in [mm] unless others are stated.

**Order Data:**

Position	Your pos.	Product name	Amount	Product No	Total
		CM 5-7	1	On request	Price on request