

**Qty. Description**

1 MTR 1-36/36 A-W-A-HUUV



Product No.: [98492759](#)

Multistage, immersible, self-priming, centrifugal pump for vertical installation in tanks etc. The pump head and base are in cast iron – all other wetted parts are in stainless steel.

The pump has the following characteristics TEST:

- Dimensions according to DIN 5440.
- Impellers, intermediate chambers and spline shaft are made of Stainless steel.
- Mechanical shaft seal according to EN 12756.
- Power transmission via sintered metal split coupling.

A cartridge shaft seal ensures high reliability, safe handling, and easy access and service. The pump is fitted with a 3-phase, fan-cooled asynchronous motor.

Controls:

Frequency converter: NONE

Liquid:

Pumped liquid: Water  
 Liquid temperature range: -10 .. 90 °C  
 Selected liquid temperature: 20 °C  
 Density: 998.2 kg/m<sup>3</sup>

Technical:

Pump speed on which pump data are based: 2899 rpm  
 Rated flow: 30 l/min  
 Rated head: 171.5 m  
 Chambers: 36  
 Drainage back to tank: N  
 Pump orientation: Vertical  
 Code for shaft seal: HUUV  
 Approvals: CE,EAC  
 Curve tolerance: ISO9906:2012 3B

Materials:

Pump head: Cast iron  
 EN 1561 EN-GJL-200  
 ASTM A48-25B  
 Impeller: Stainless steel  
 EN 1.4301  
 AISI 304

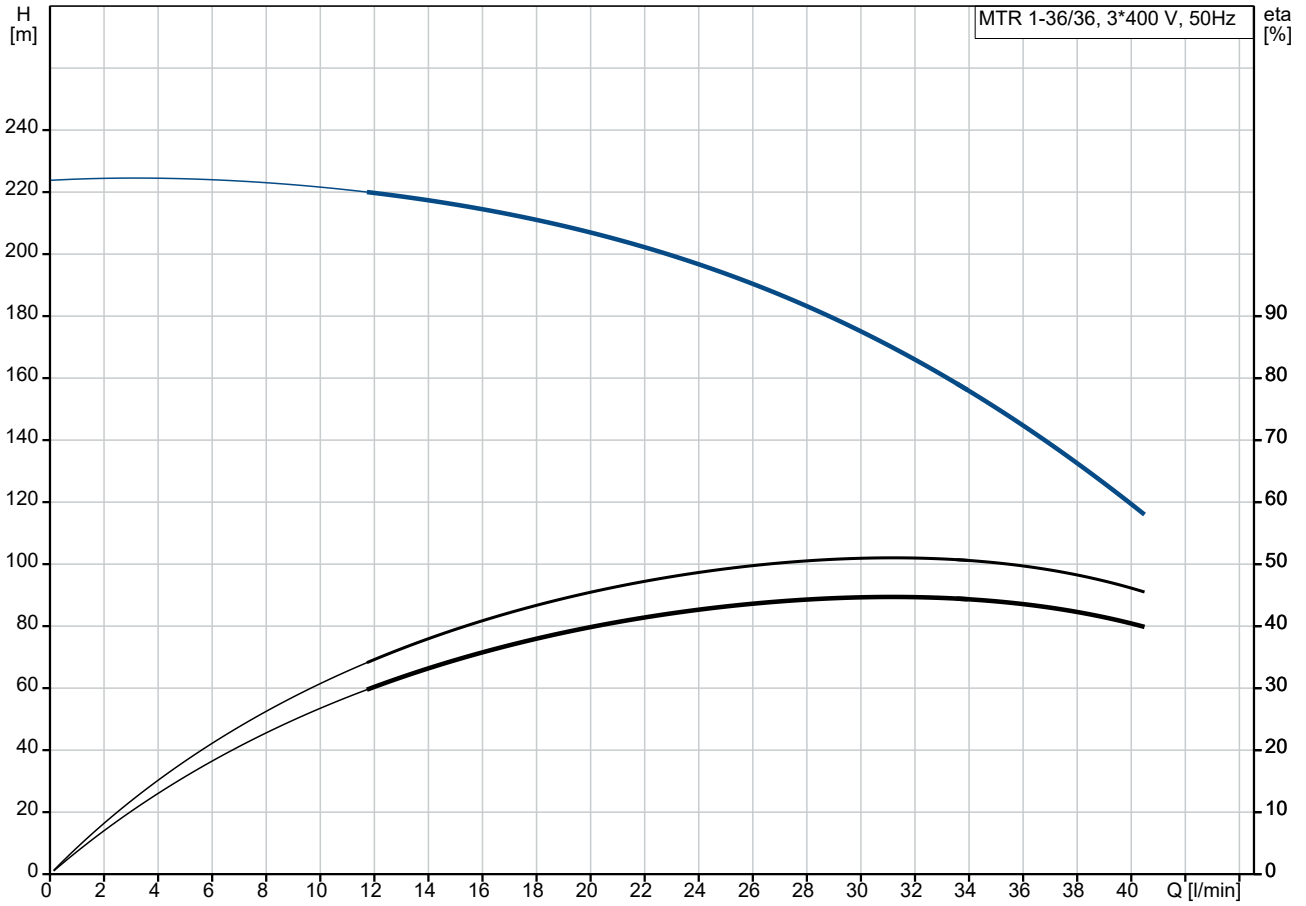
Installation:

t max amb: 60 °C  
 Maximum operating pressure: 25 bar  
 Max pressure at stated temp: 25 bar / 90 °C  
 Type of connection: G internal thread

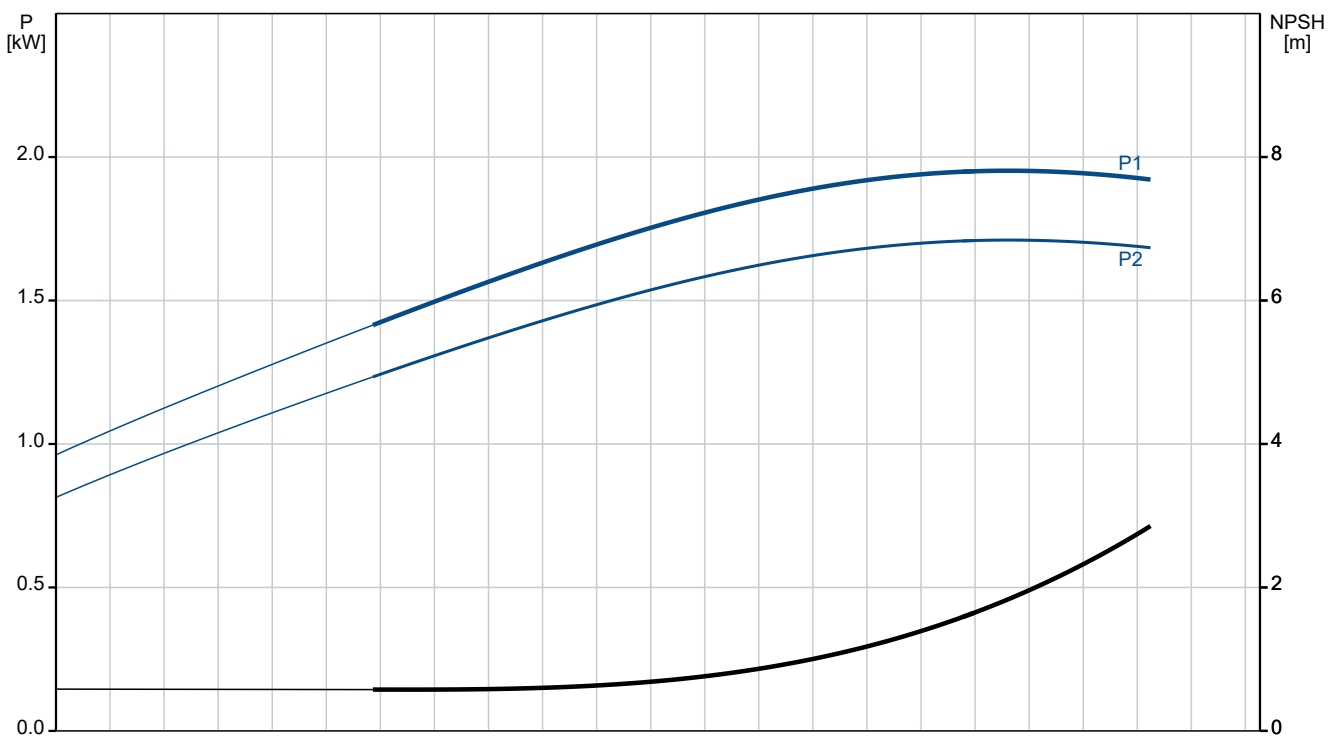
**Qty. Description**

1	<p>Size of outlet connection: 1 1/4 inch          Immersion depth: 772 mm          Flange size for motor: FT115</p> <p>Electrical data:          Motor standard: IEC          Motor type: 90LE          IE Efficiency class: IE3          Rated power - P2: 2.2 kW          Mains frequency: 50 Hz          Suitable for 50/60 Hz: N          Rated voltage: 3 x 380-415D V          Rated current: 4.65 A          Starting current: 840-920 %          Cos phi - power factor: 0.86-0.80          Rated speed: 2890-2910 rpm          Efficiency: IE3 85,9%          Motor efficiency at full load: 85.9-85.9 %          Motor efficiency at 3/4 load: 88.2 %          Motor efficiency at 1/2 load: 88.0 %          Number of poles: 2          Enclosure class (IEC 34-5): 55 Dust/Jetting          Insulation class (IEC 85): F          Motor No: 85U11908</p> <p>Others:          Terminal box position: 6          Minimum efficiency index, MEI ≥: 0.70          Net weight: 27.6 kg          Gross weight: 31.8 kg          Shipping volume: 0.108 m<sup>3</sup></p>
---	--

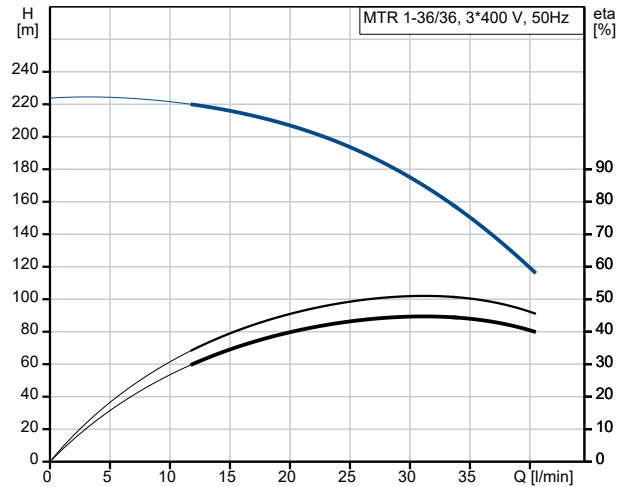
## 98492759 MTR 1-36/36 A-W-A-HUUV 50 Hz



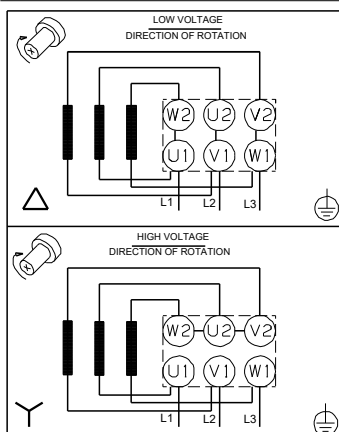
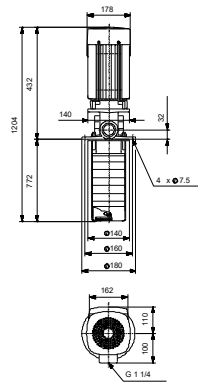
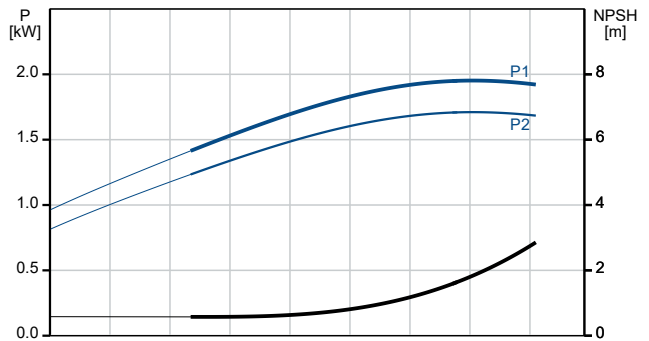
Pumped liquid = Water  
 Liquid temperature during operation = 20 °C  
 Density = 998.2 kg/m<sup>3</sup>



Description	Value
<b>General information:</b>	
Product name:	MTR 1-36/36 A-W-A-HUUV
Product No:	98492759
EAN number:	5711496065095
<b>Technical:</b>	
Pump speed on which pump data are based:	2899 rpm
Rated flow:	30 l/min
Rated head:	171.5 m
Chambers:	36
Impellers:	36
Number of reduced-diameter impellers:	0
Drainage back to tank:	N
Pump orientation:	Vertical
Code for shaft seal:	HUUV
Approvals:	CE,EAC
Curve tolerance:	ISO9906:2012 3B
Pump version:	A
Model:	A
<b>Materials:</b>	
Pump head:	Cast iron
Pump head:	EN 1561 EN-GJL-200
Pump head:	ASTM A48-25B
Impeller:	Stainless steel
Impeller:	EN 1.4301
Impeller:	AISI 304
Material code:	A
<b>Installation:</b>	
t max amb:	60 °C
Maximum operating pressure:	25 bar
Max pressure at stated temp:	25 bar / 90 °C
Type of connection:	G internal thread
Size of outlet connection:	1 1/4 inch
Immersion depth:	772 mm
Flange size for motor:	FT115
Connect code:	W </td
<b>Liquid:</b>	
Pumped liquid:	Water
Liquid temperature range:	-10 .. 90 °C
Selected liquid temperature:	20 °C
Density:	998.2 kg/m <sup>3</sup>
<b>Electrical data:</b>	
Motor standard:	IEC
Motor type:	90LE
IE Efficiency class:	IE3
Rated power - P2:	2.2 kW
Mains frequency:	50 Hz
Suitable for 50/60 Hz:	N
Rated voltage:	3 x 380-415D V
Rated current:	4.65 A
Starting current:	840-920 %
Cos phi - power factor:	0.86-0.80
Rated speed:	2890-2910 rpm
Efficiency:	IE3 85,9%
Motor efficiency at full load:	85.9-85.9 %
Motor efficiency at 3/4 load:	88.2 %
Motor efficiency at 1/2 load:	88.0 %
Number of poles:	2



Pumped liquid = Water  
Liquid temperature during operation = 20 °C  
Density = 998.2 kg/m<sup>3</sup>





Company name:

Created by:

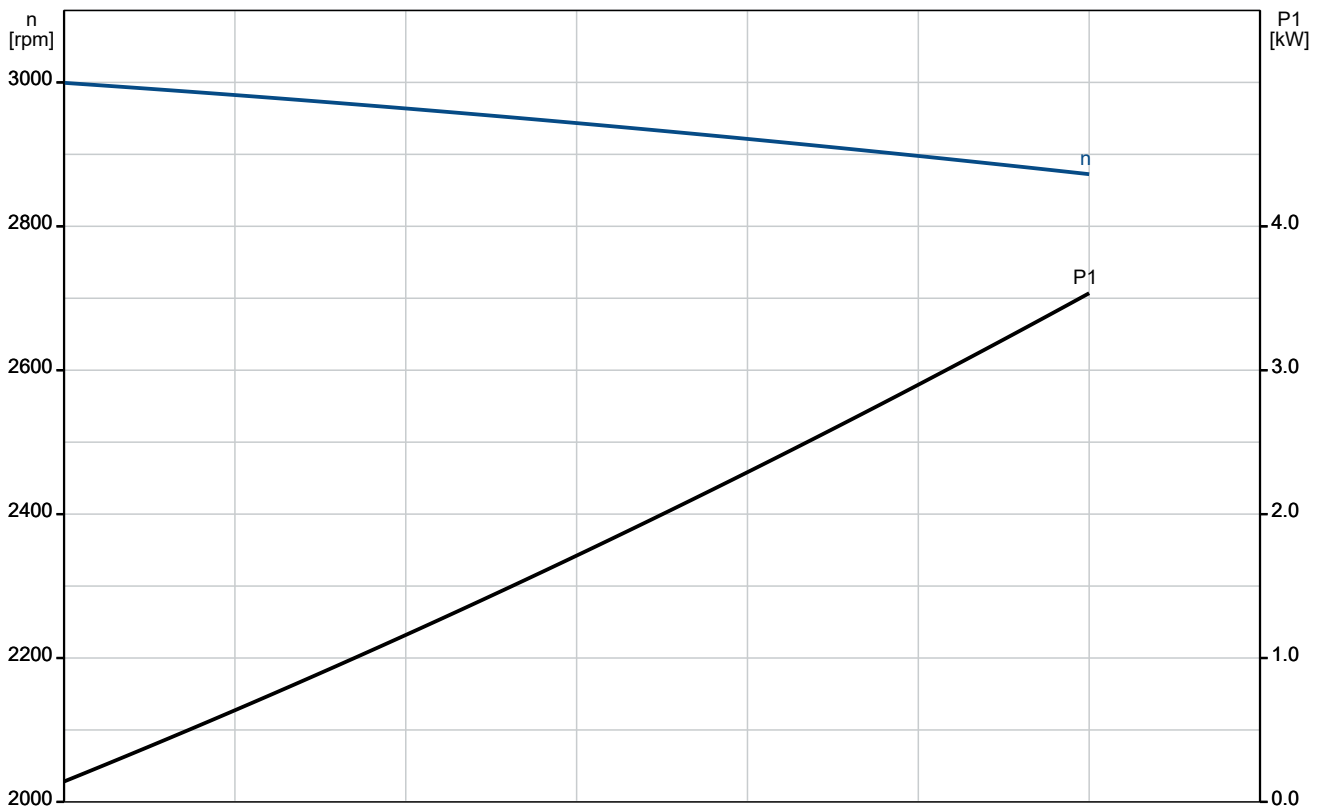
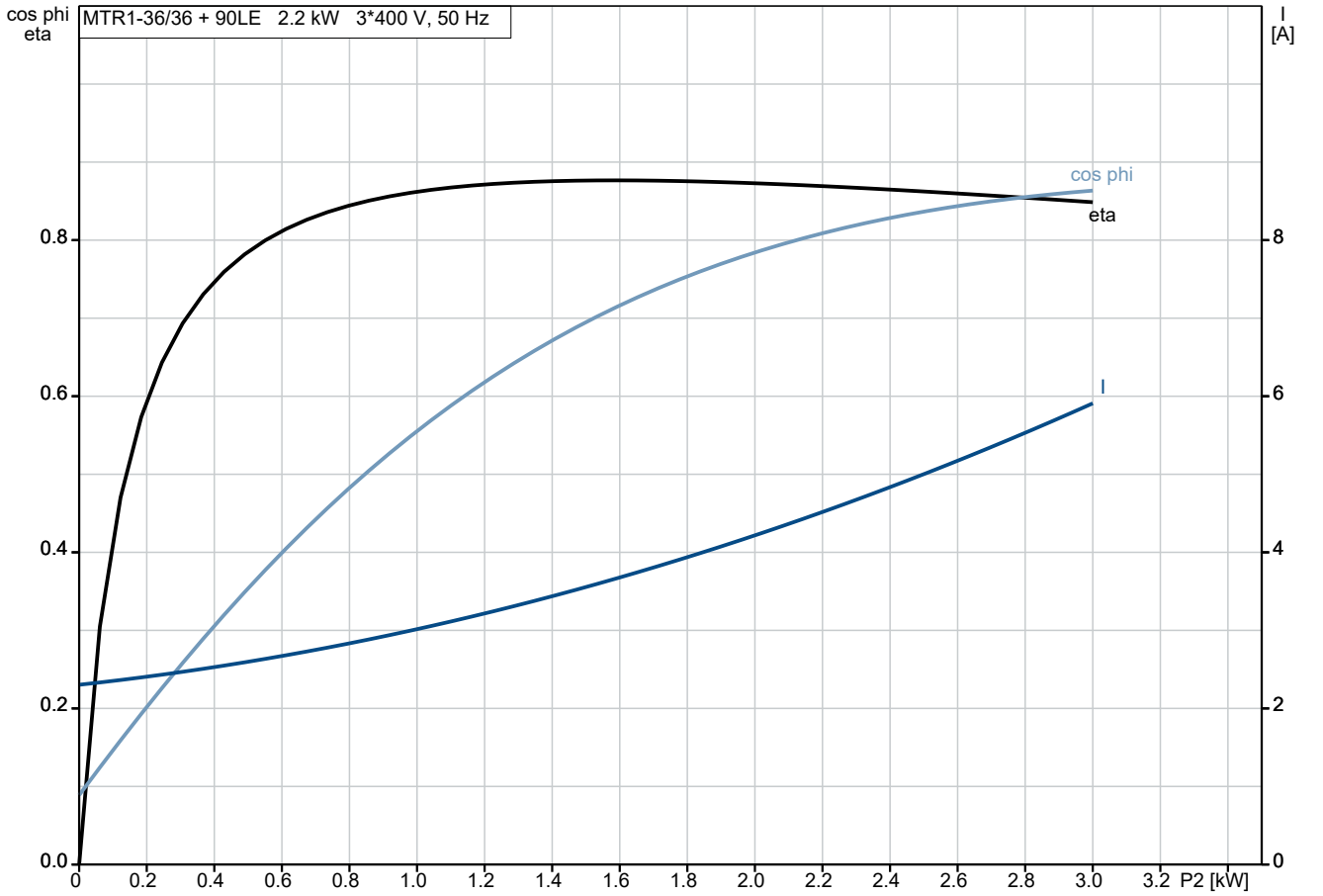
Phone:

Date:

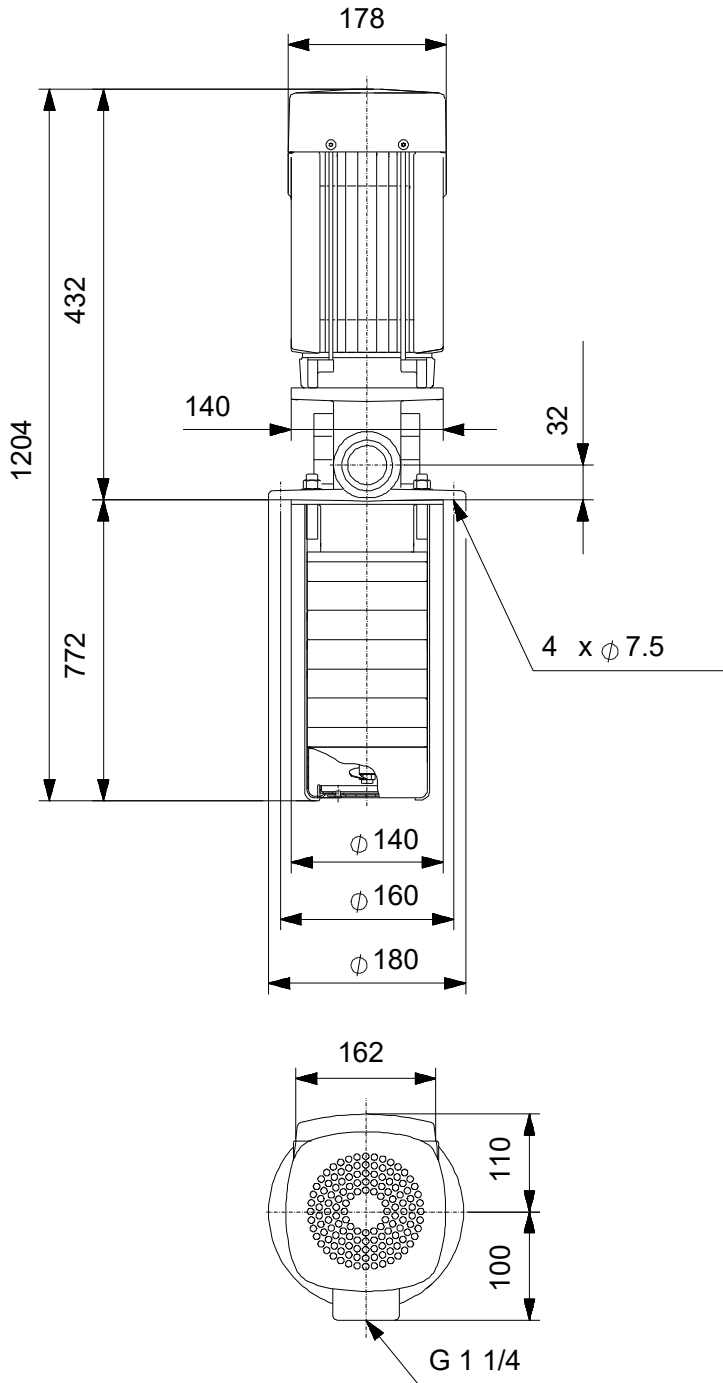
30/12/2022

Description	Value
Enclosure class (IEC 34-5):	55 Dust/Jetting
Insulation class (IEC 85):	F
Built-in motor protection:	NONE
Motor No:	85U11908
<b>Controls:</b>	
Frequency converter:	NONE
<b>Others:</b>	
Terminal box position:	6
Minimum efficiency index, MEI ≥:	0.70
Net weight:	27.6 kg
Gross weight:	31.8 kg
Shipping volume:	0.108 m <sup>3</sup>

## 98492759 MTR 1-36/36 A-W-A-HUUV 50 Hz

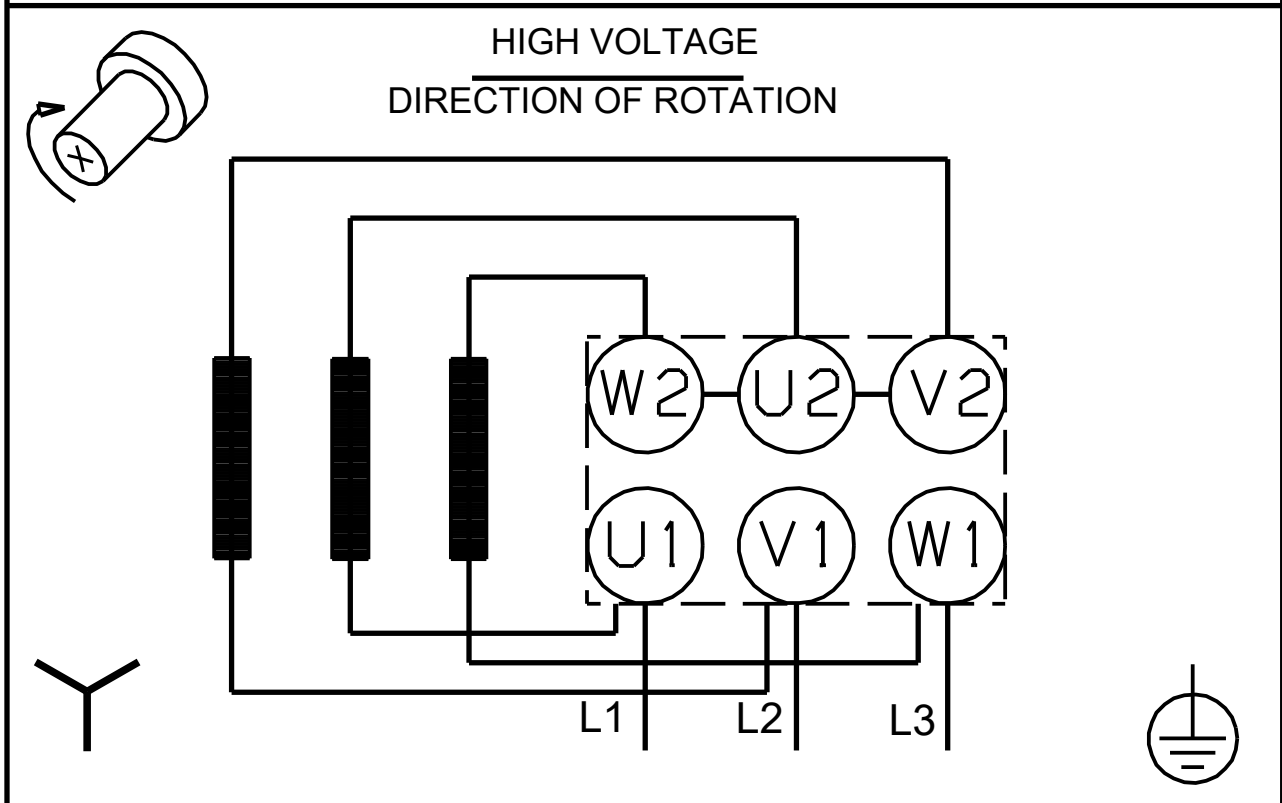


## 98492759 MTR 1-36/36 A-W-A-HUUV 50 Hz



Note! All units are in [mm] unless others are stated.  
Disclaimer: This simplified dimensional drawing does not show all details.

**98492759 MTR 1-36/36 A-W-A-HUUV 50 Hz**



Note! All units are in [mm] unless others are stated.

