

**Qty. Description**

1 MTR 1S-27/27 A-W-A-HUUV



Product No.: [98511198](#)

Multistage, immersible, self-priming, centrifugal pump for vertical installation in tanks etc. The pump head and base are in cast iron – all other wetted parts are in stainless steel.

The pump has the following characteristics TEST:

- Dimensions according to DIN 5440.
- Impellers, intermediate chambers and spline shaft are made of Stainless steel.
- Mechanical shaft seal according to EN 12756.
- Power transmission via sintered metal split coupling.

A cartridge shaft seal ensures high reliability, safe handling, and easy access and service. The pump is fitted with a 3-phase, fan-cooled asynchronous motor.

**Controls:**

Frequency converter: NONE

**Liquid:**

Pumped liquid: Water  
 Liquid temperature range: -10 .. 90 °C  
 Selected liquid temperature: 20 °C  
 Density: 998.2 kg/m<sup>3</sup>

**Technical:**

Pump speed on which pump data are based: 2853 rpm  
 Rated flow: 15 l/min  
 Rated head: 107.6 m  
 Chambers: 27  
 Drainage back to tank: N  
 Pump orientation: Vertical  
 Code for shaft seal: HUUV  
 Approvals: CE,EAC  
 Curve tolerance: ISO9906:2012 3B

**Materials:**

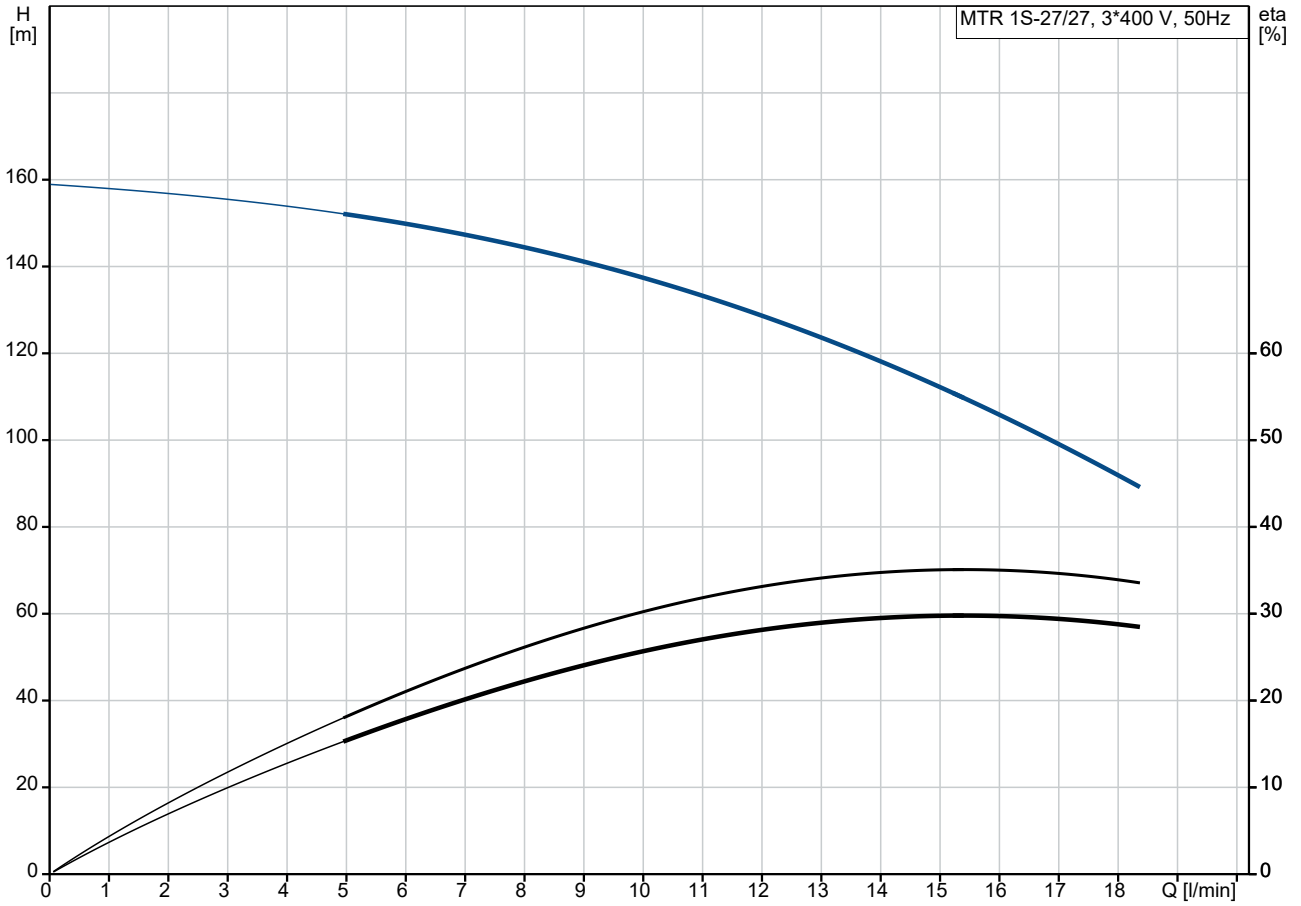
Pump head: Cast iron  
 EN 1561 EN-GJL-200  
 ASTM A48-25B  
 Impeller: Stainless steel  
 EN 1.4301  
 AISI 304

**Installation:**

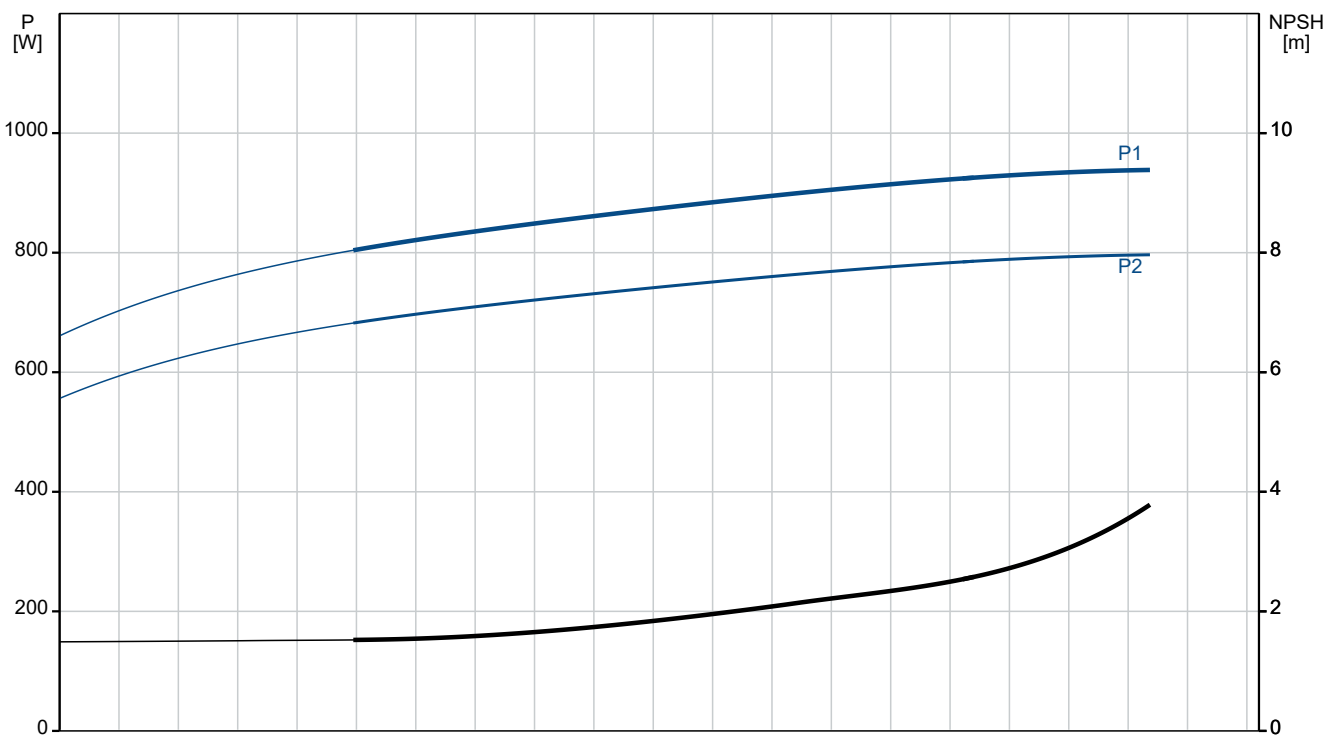
t max amb: 60 °C  
 Maximum operating pressure: 25 bar  
 Max pressure at stated temp: 25 bar / 90 °C  
 Type of connection: G internal thread

Qty.	Description
1	<p>Size of outlet connection: 1 1/4 inch  Immersion depth: 610 mm  Flange size for motor: FT100</p> <p>Electrical data:  Motor standard: IEC  Motor type: 80C  IE Efficiency class: IE3  Rated power - P2: 1.1 kW  Mains frequency: 50 Hz  Suitable for 50/60 Hz: N  Rated voltage: 3 x 220-240D/380-415Y V  Rated current: 4.35/2.50 A  Starting current: 450-500 %  Cos phi - power factor: 0.83-0.76  Rated speed: 2840-2870 rpm  Efficiency: IE3 82,7%  Motor efficiency at full load: 82.7 %  Motor efficiency at 3/4 load: 84.6 %  Motor efficiency at 1/2 load: 85.4 %  Number of poles: 2  Enclosure class (IEC 34-5): 55 Dust/Jetting  Insulation class (IEC 85): F  Motor No: 85U05105</p> <p>Others:  Terminal box position: 6  Minimum efficiency index, MEI ≥: 0.67  Net weight: 17.2 kg  Gross weight: 21.2 kg  Shipping volume: 0.097 m³  Danish VVS No.: 386960027</p>

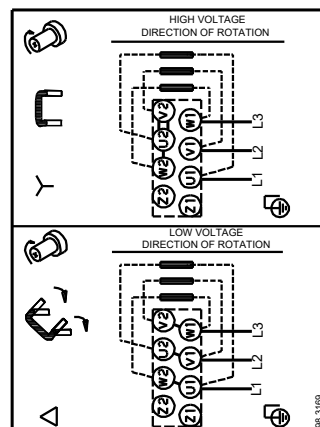
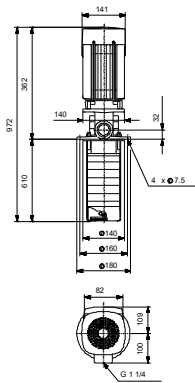
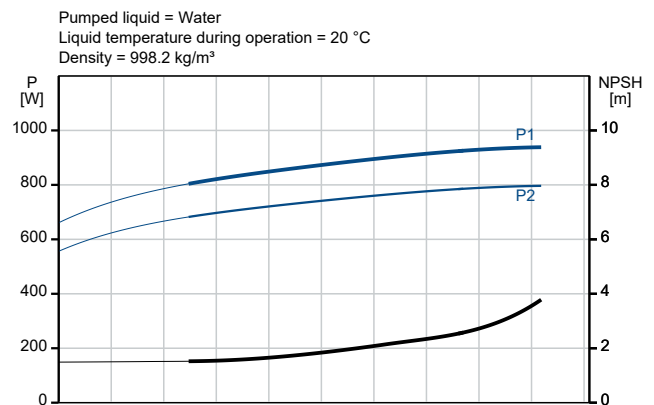
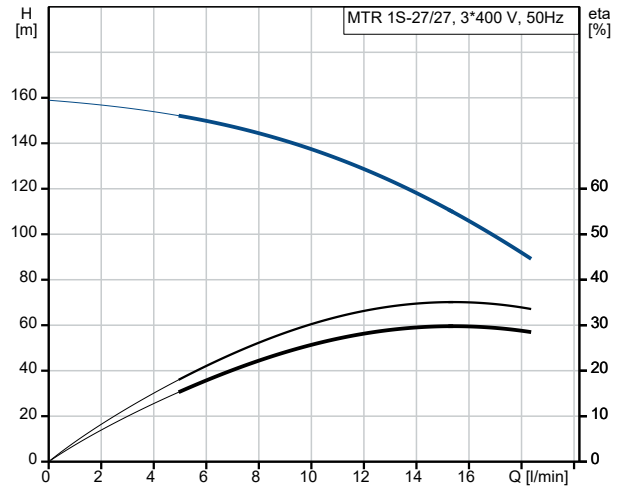
## 98511198 MTR 1S-27/27 A-W-A-HUUV 50 Hz



Pumped liquid = Water  
Liquid temperature during operation = 20 °C  
Density = 998.2 kg/m<sup>3</sup>



Description	Value
<b>General information:</b>	
Product name:	MTR 1S-27/27 A-W-A-HUUV
Product No:	98511198
EAN number:	5711496359736
<b>Technical:</b>	
Pump speed on which pump data are based:	2853 rpm
Rated flow:	15 l/min
Rated head:	107.6 m
Chambers:	27
Impellers:	27
Number of reduced-diameter impellers:	0
Drainage back to tank:	N
Pump orientation:	Vertical
Code for shaft seal:	HUUV
Approvals:	CE, EAC
Curve tolerance:	ISO9906:2012 3B
Pump version:	A
Model:	A
<b>Materials:</b>	
Pump head:	Cast iron
Pump head:	EN 1561 EN-GJL-200
Pump head:	ASTM A48-25B
Impeller:	Stainless steel
Impeller:	EN 1.4301
Impeller:	AISI 304
Material code:	A
<b>Installation:</b>	
t max amb:	60 °C
Maximum operating pressure:	25 bar
Max pressure at stated temp:	25 bar / 90 °C
Type of connection:	G internal thread
Size of outlet connection:	1 1/4 inch
Immersion depth:	610 mm
Flange size for motor:	FT100
Connect code:	W
<b>Liquid:</b>	
Pumped liquid:	Water
Liquid temperature range:	-10 .. 90 °C
Selected liquid temperature:	20 °C
Density:	998.2 kg/m <sup>3</sup>
<b>Electrical data:</b>	
Motor standard:	IEC
Motor type:	80C
IE Efficiency class:	IE3
Rated power - P2:	1.1 kW
Mains frequency:	50 Hz
Suitable for 50/60 Hz:	N
Rated voltage:	3 x 220-240D/380-415Y V
Rated current:	4.35/2.50 A
Starting current:	450-500 %
Cos phi - power factor:	0.83-0.76
Rated speed:	2840-2870 rpm
Efficiency:	IE3 82,7%
Motor efficiency at full load:	82.7 %
Motor efficiency at 3/4 load:	84.6 %
Motor efficiency at 1/2 load:	85.4 %





Company name:

Created by:

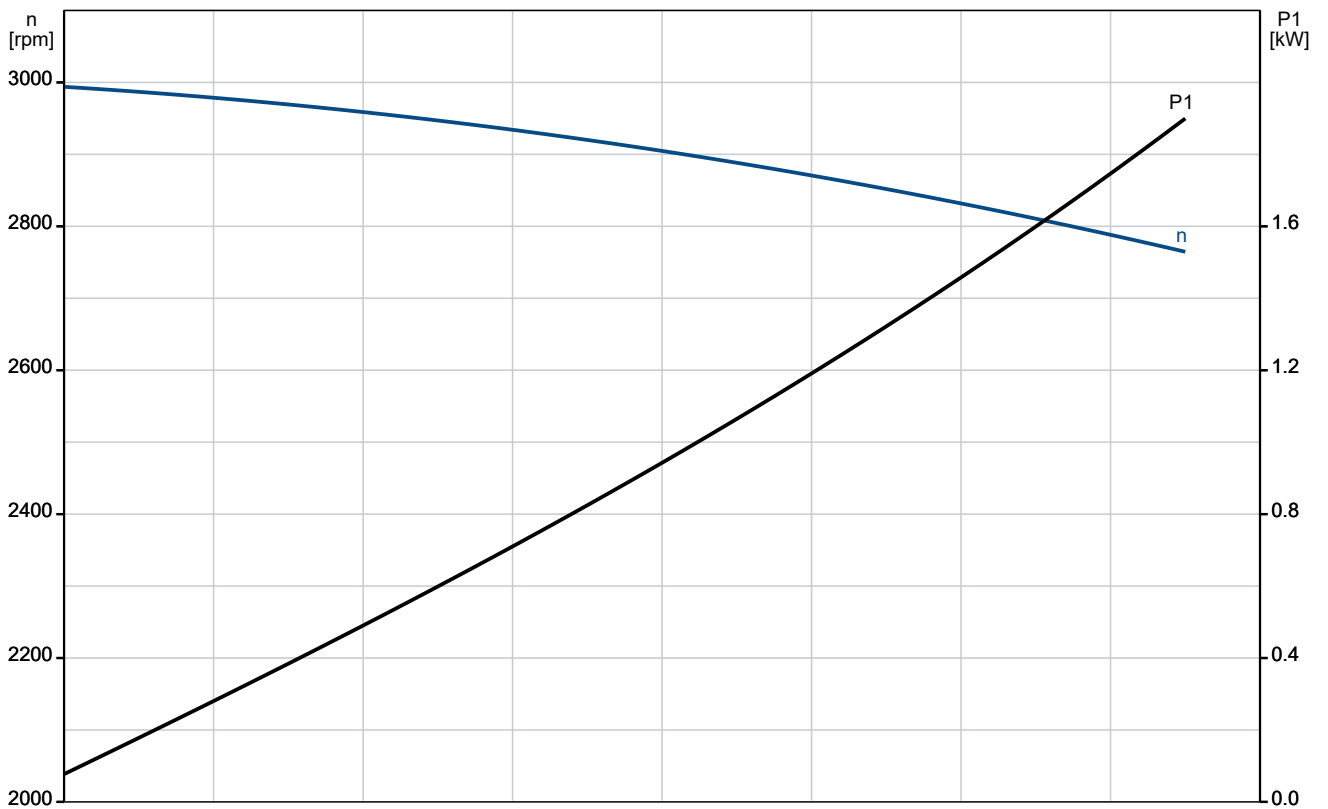
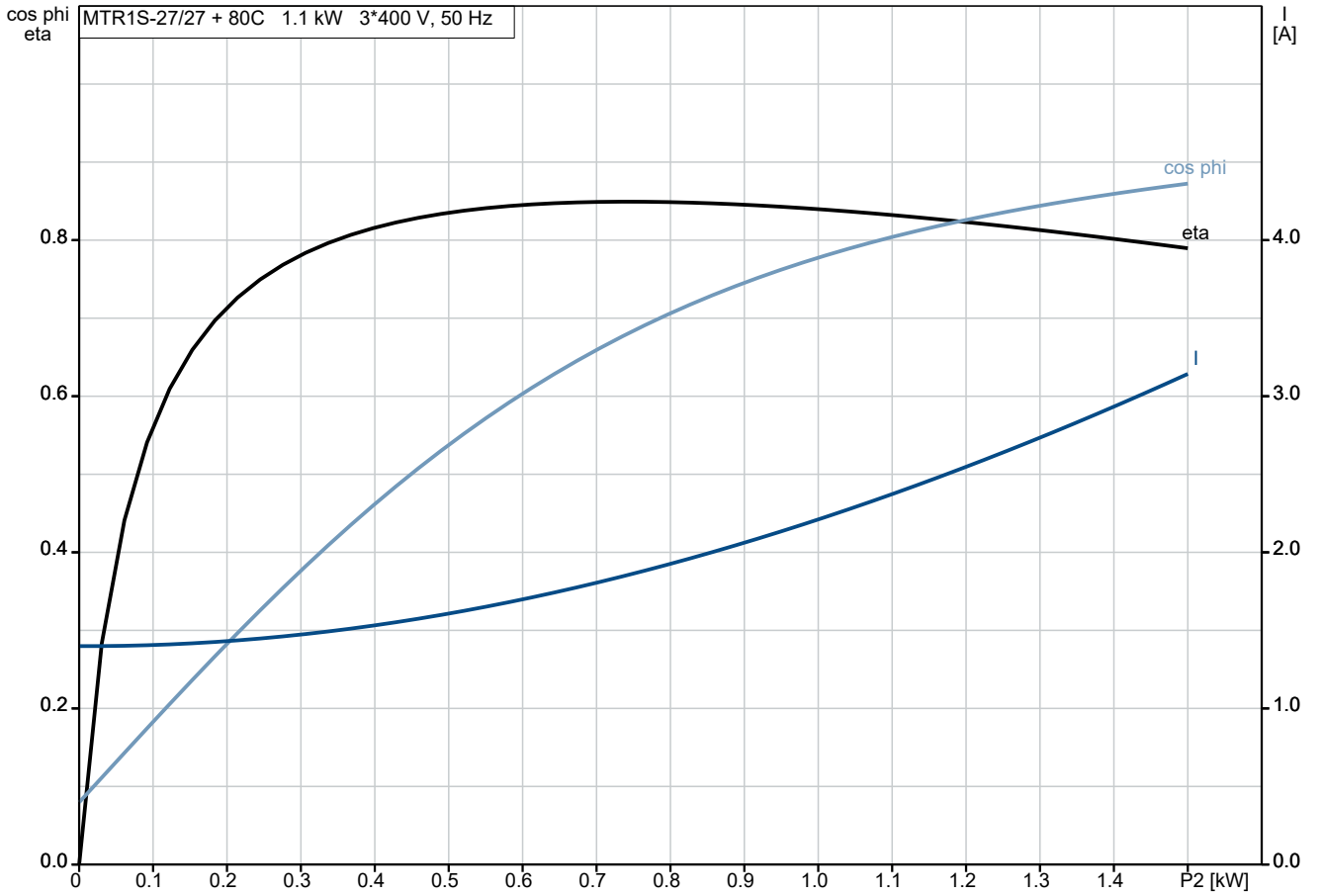
Phone:

Date:

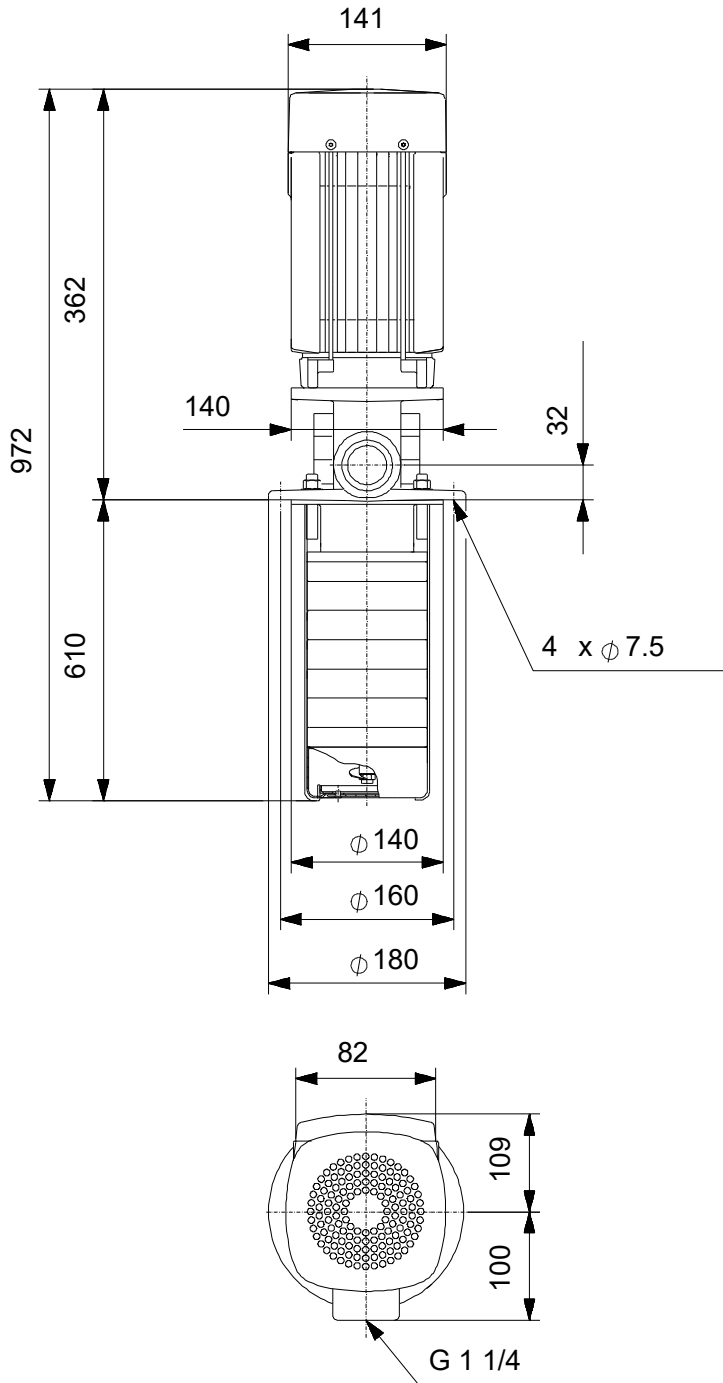
30/12/2022

Description	Value
Number of poles:	2
Enclosure class (IEC 34-5):	55 Dust/Jetting
Insulation class (IEC 85):	F
Built-in motor protection:	NONE
Motor No:	85U05105
<b>Controls:</b>	
Frequency converter:	NONE
<b>Others:</b>	
Terminal box position:	6
Minimum efficiency index, MEI $\geq$ :	0.67
Net weight:	17.2 kg
Gross weight:	21.2 kg
Shipping volume:	0.097 m <sup>3</sup>
Danish VVS No.:	386960027

## 98511198 MTR 1S-27/27 A-W-A-HUUV 50 Hz

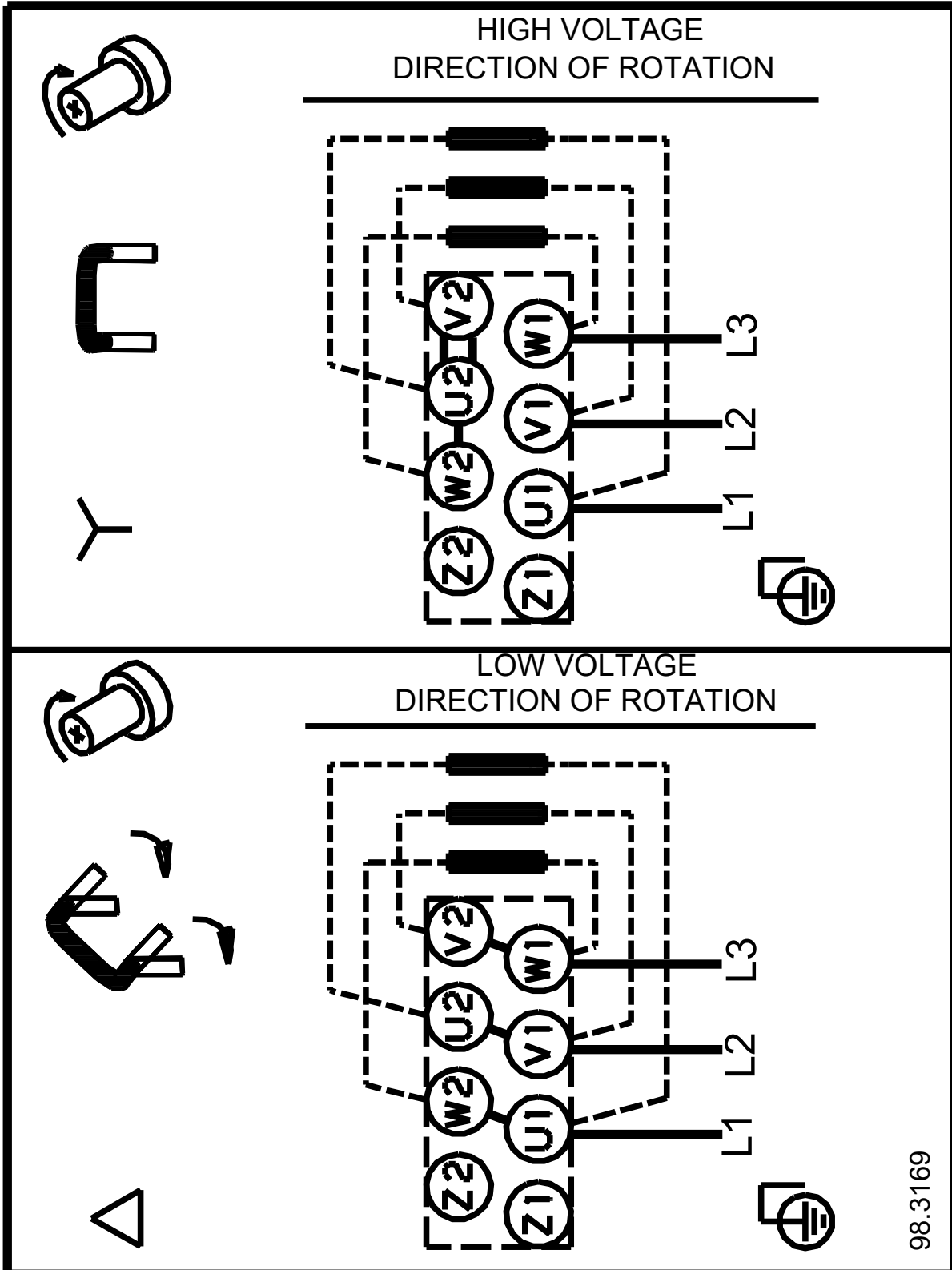


## 98511198 MTR 1S-27/27 A-W-A-HUUV 50 Hz



Note! All units are in [mm] unless others are stated.  
Disclaimer: This simplified dimensional drawing does not show all details.

**98511198 MTR 1S-27/27 A-W-A-HUUV 50 Hz**



Note! All units are in [mm] unless others are stated.

