

Qty. Description

1 MTR 1-30/30 A-W-A-HUUV



Product No.: [98511264](#)

Multistage, immersible, self-priming, centrifugal pump for vertical installation in tanks etc. The pump head and base are in cast iron – all other wetted parts are in stainless steel.

The pump has the following characteristics TEST:

- Dimensions according to DIN 5440.
- Impellers, intermediate chambers and spline shaft are made of Stainless steel.
- Mechanical shaft seal according to EN 12756.
- Power transmission via sintered metal split coupling.

A cartridge shaft seal ensures high reliability, safe handling, and easy access and service. The pump is fitted with a 3-phase, fan-cooled asynchronous motor.

Controls:

Frequency converter: NONE

Liquid:

Pumped liquid: Water
 Liquid temperature range: -10 .. 90 °C
 Selected liquid temperature: 20 °C
 Density: 998.2 kg/m³

Technical:

Pump speed on which pump data are based: 2896 rpm
 Rated flow: 30 l/min
 Rated head: 140.4 m
 Chambers: 30
 Drainage back to tank: N
 Pump orientation: Vertical
 Code for shaft seal: HUUV
 Approvals: CE,EAC
 Curve tolerance: ISO9906:2012 3B

Materials:

Pump head: Cast iron
 EN 1561 EN-GJL-200
 ASTM A48-25B
 Impeller: Stainless steel
 EN 1.4301
 AISI 304

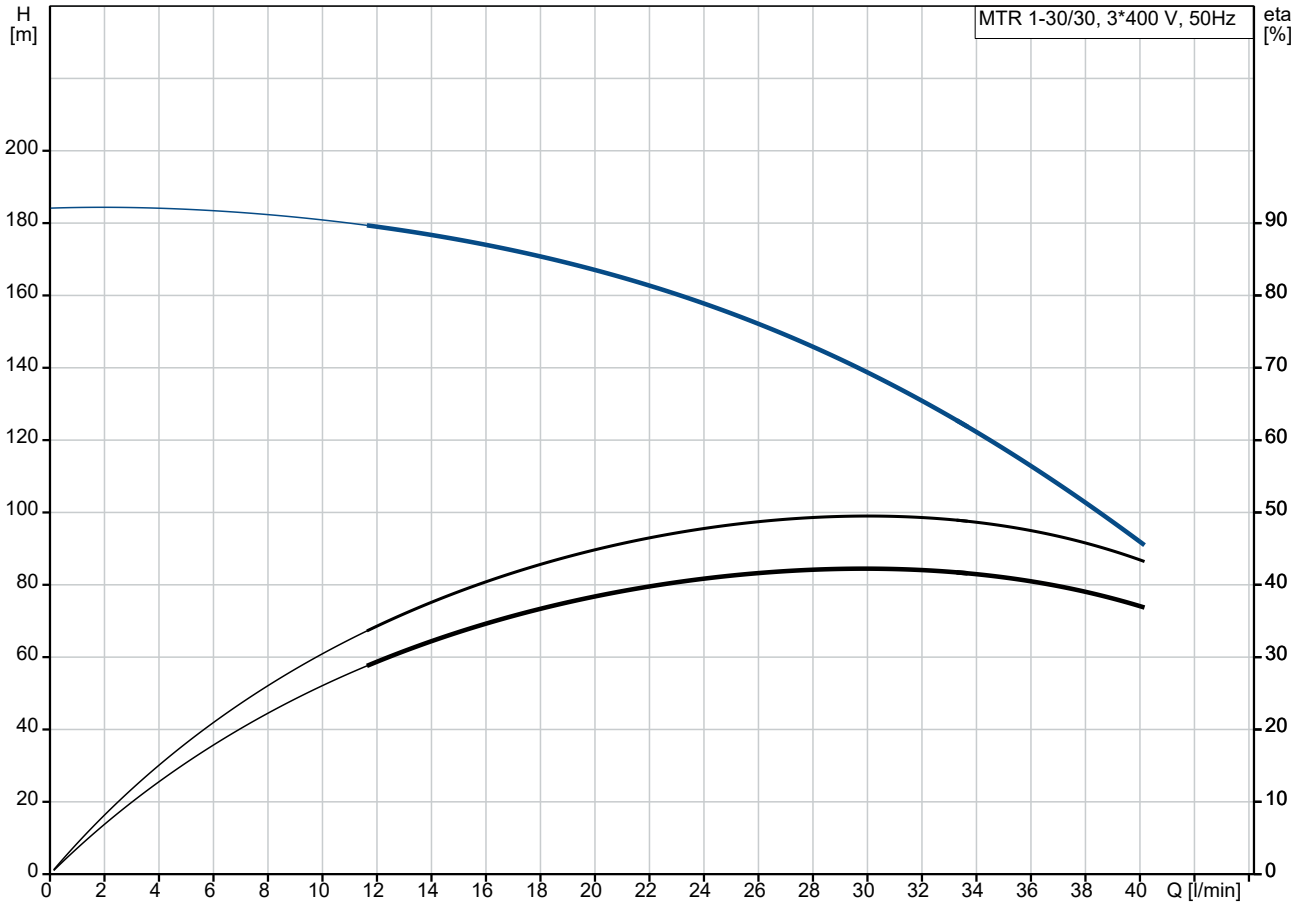
Installation:

t max amb: 60 °C
 Maximum operating pressure: 25 bar
 Max pressure at stated temp: 25 bar / 90 °C
 Type of connection: G internal thread

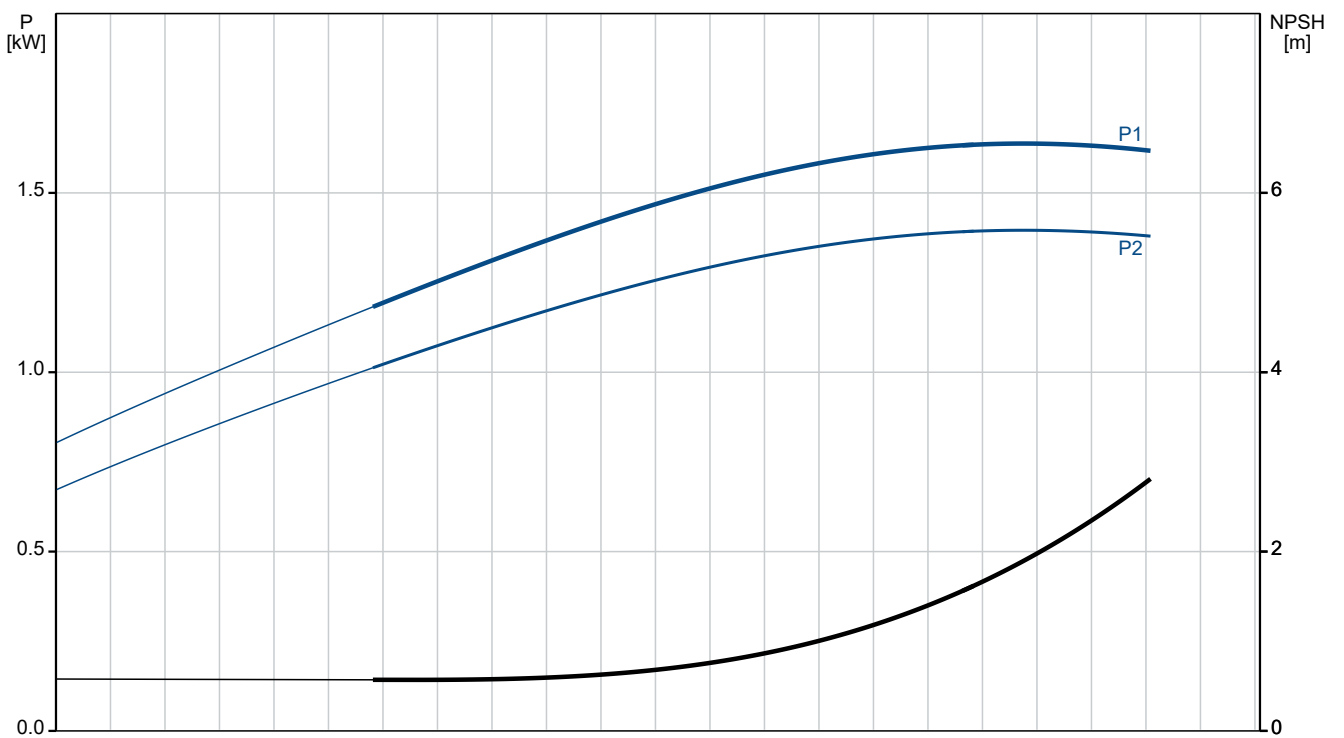
Qty. Description

1	<p>Size of outlet connection: 1 1/4 inch Immersion depth: 664 mm Flange size for motor: FT115</p> <p>Electrical data: Motor standard: IEC Motor type: 90SD IE Efficiency class: IE3 Rated power - P2: 1.5 kW Mains frequency: 50 Hz Suitable for 50/60 Hz: N Rated voltage: 3 x 220-240D/380-415Y V Rated current: 5.70/3.30 A Starting current: 750-820 % Cos phi - power factor: 0.84-0.78 Rated speed: 2890-2910 rpm Efficiency: IE3 84,2% Motor efficiency at full load: 84.2-84.2 % Motor efficiency at 3/4 load: 86.4 % Motor efficiency at 1/2 load: 86.0 % Number of poles: 2 Enclosure class (IEC 34-5): 55 Dust/Jetting Insulation class (IEC 85): F Motor No: 85U01906</p> <p>Others: Terminal box position: 6 Minimum efficiency index, MEI ≥: 0.70 Net weight: 23.7 kg Gross weight: 27.7 kg Shipping volume: 0.097 m³ Danish VVS No.: 386961030</p>
---	---

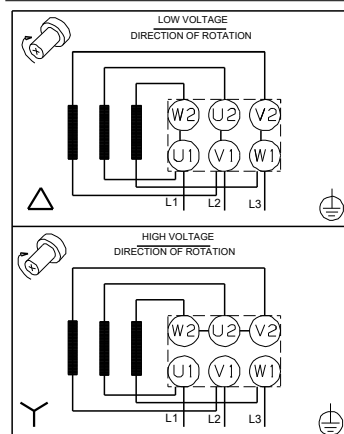
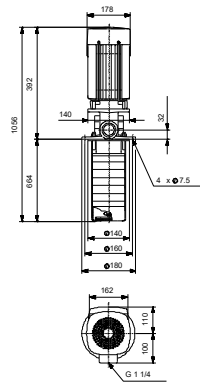
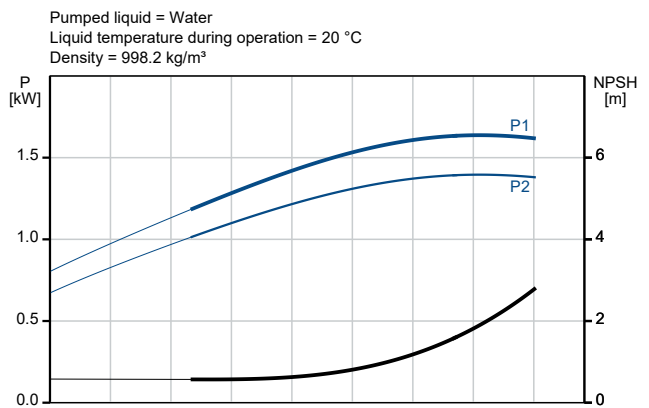
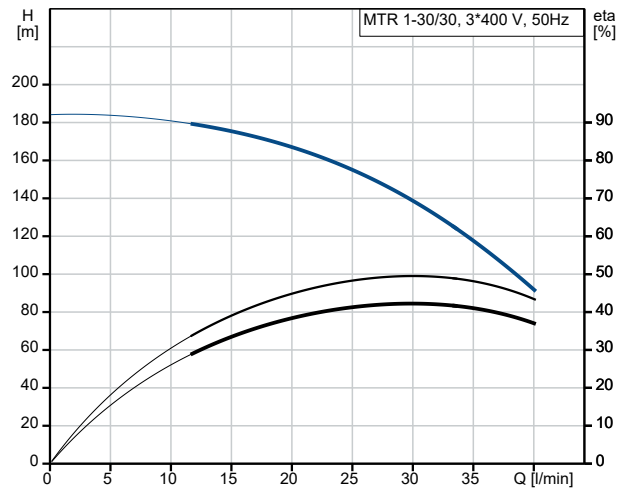
98511264 MTR 1-30/30 A-W-A-HUUV 50 Hz



Pumped liquid = Water
Liquid temperature during operation = 20 °C
Density = 998.2 kg/m³



Description	Value
General information:	
Product name:	MTR 1-30/30 A-W-A-HUUV
Product No:	98511264
EAN number:	5711496360244
Technical:	
Pump speed on which pump data are based:	2896 rpm
Rated flow:	30 l/min
Rated head:	140.4 m
Chambers:	30
Impellers:	30
Number of reduced-diameter impellers:	0
Drainage back to tank:	N
Pump orientation:	Vertical
Code for shaft seal:	HUUV
Approvals:	CE,EAC
Curve tolerance:	ISO9906:2012 3B
Pump version:	A
Model:	A
Materials:	
Pump head:	Cast iron
Pump head:	EN 1561 EN-GJL-200
Pump head:	ASTM A48-25B
Impeller:	Stainless steel
Impeller:	EN 1.4301
Impeller:	AISI 304
Material code:	A
Installation:	
t max amb:	60 °C
Maximum operating pressure:	25 bar
Max pressure at stated temp:	25 bar / 90 °C
Type of connection:	G internal thread
Size of outlet connection:	1 1/4 inch
Immersion depth:	664 mm
Flange size for motor:	FT115
Connect code:	W </td
Liquid:	
Pumped liquid:	Water
Liquid temperature range:	-10 .. 90 °C
Selected liquid temperature:	20 °C
Density:	998.2 kg/m ³
Electrical data:	
Motor standard:	IEC
Motor type:	90SD
IE Efficiency class:	IE3
Rated power - P2:	1.5 kW
Mains frequency:	50 Hz
Suitable for 50/60 Hz:	N
Rated voltage:	3 x 220-240D/380-415Y V
Rated current:	5.70/3.30 A
Starting current:	750-820 %
Cos phi - power factor:	0.84-0.78
Rated speed:	2890-2910 rpm
Efficiency:	IE3 84,2%
Motor efficiency at full load:	84.2-84.2 %
Motor efficiency at 3/4 load:	86.4 %
Motor efficiency at 1/2 load:	86.0 %





Company name:

Created by:

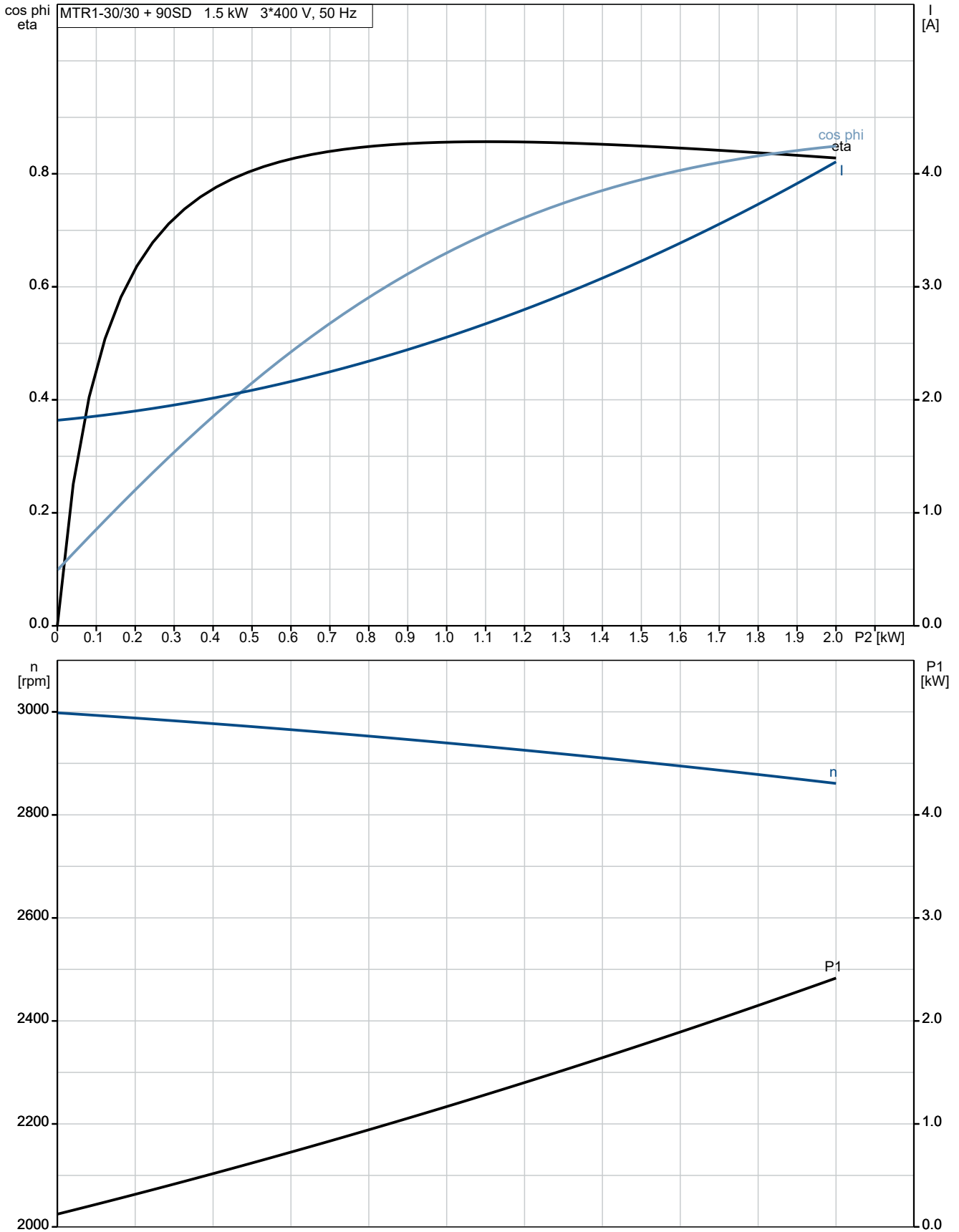
Phone:

Date:

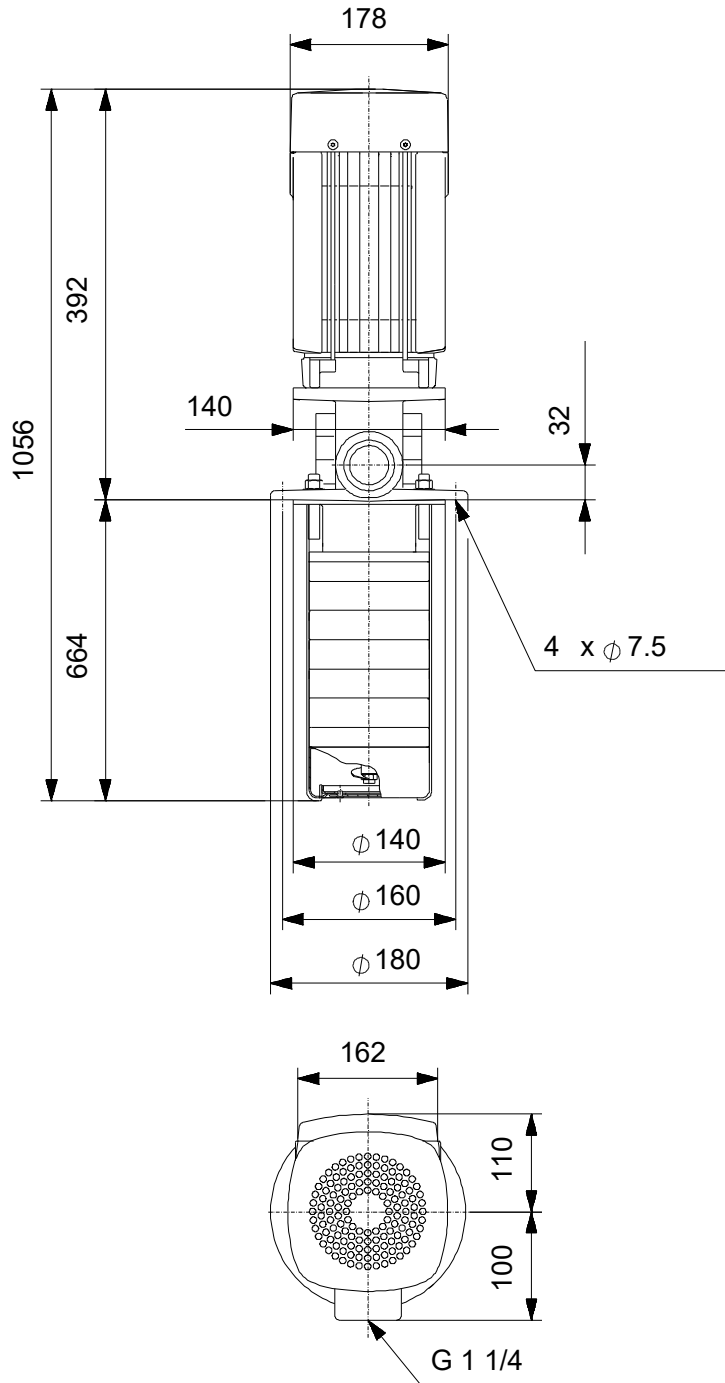
30/12/2022

Description	Value
Number of poles:	2
Enclosure class (IEC 34-5):	55 Dust/Jetting
Insulation class (IEC 85):	F
Built-in motor protection:	NONE
Motor No:	85U01906
Controls:	
Frequency converter:	NONE
Others:	
Terminal box position:	6
Minimum efficiency index, MEI ≥:	0.70
Net weight:	23.7 kg
Gross weight:	27.7 kg
Shipping volume:	0.097 m ³
Danish VVS No.:	386961030

98511264 MTR 1-30/30 A-W-A-HUUV 50 Hz



98511264 MTR 1-30/30 A-W-A-HUUV 50 Hz



Note! All units are in [mm] unless others are stated.
Disclaimer: This simplified dimensional drawing does not show all details.

98511264 MTR 1-30/30 A-W-A-HUUV 50 Hz



Note! All units are in [mm] unless others are stated.

