
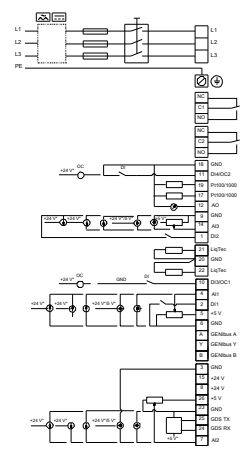
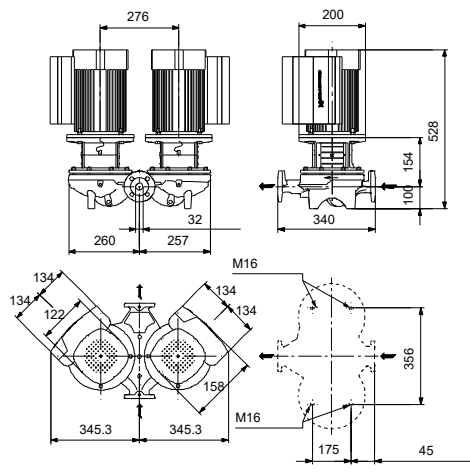
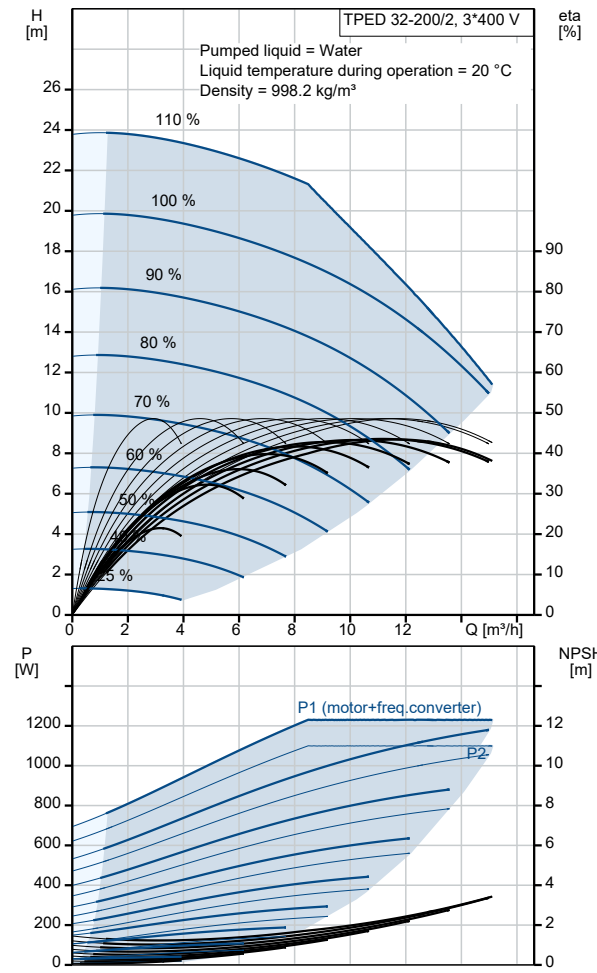


Qty.	Description
1	<p data-bbox="199 159 584 188"><b>TPED 32-200/2 A-F-A-BQQE-GDB</b></p> <div data-bbox="236 215 544 528" style="text-align: center;">  </div> <p data-bbox="592 506 1062 528" style="text-align: center;"><b>Note! Product picture may differ from actual product</b></p> <p data-bbox="199 539 480 562">Product No.: On request</p> <p data-bbox="199 600 1458 651">Single-stage, close-coupled, volute twin-head pump with in-line suction and discharge ports of identical diameter. The twin-head pump is designed with two parallel power-heads.</p> <p data-bbox="199 658 1398 710">The pump is of the top-pull-out design, i.e. the power head (motor, pump head and impeller) can be removed for maintenance or service while the pump housing remains in the pipework.</p> <p data-bbox="199 716 911 739">Each power head is fitted with an unbalanced rubber bellows seal.</p> <p data-bbox="199 745 1458 768">The shaft seal is according to EN 12756. Pipework connection is via PN 16 DIN flanges (EN 1092-2 and ISO 7005-2).</p> <p data-bbox="199 801 1390 853">Each power head is fitted with a fan-cooled, permanent-magnet synchronous motor of identical size. The motor efficiency is classified as IE5 in accordance with IEC 60034-30-2.</p> <p data-bbox="199 891 300 913">Controls:</p> <p data-bbox="199 920 639 943">Frequency converter: Built-in</p> <p data-bbox="199 981 272 1003">Liquid:</p> <p data-bbox="199 1010 632 1032">Pumped liquid: Water</p> <p data-bbox="199 1039 703 1061">Liquid temperature range: -25 .. 120 °C</p> <p data-bbox="199 1068 624 1090">Selected liquid temperature: 20 °C</p> <p data-bbox="199 1097 695 1120">Density: 998.2 kg/m<sup>3</sup></p> <p data-bbox="199 1158 312 1180">Technical:</p> <p data-bbox="199 1187 820 1209">Pump speed on which pump data are based: 2900 rpm</p> <p data-bbox="199 1216 647 1238">Rated flow: 11 m<sup>3</sup>/h</p> <p data-bbox="199 1245 616 1267">Rated head: 15 m</p> <p data-bbox="199 1274 655 1296">Actual impeller diameter: 129 mm</p> <p data-bbox="199 1303 632 1326">Code for shaft seal: BQQE</p> <p data-bbox="199 1332 772 1355">Curve tolerance: ISO9906:2012 3B2</p> <p data-bbox="199 1393 304 1415">Materials:</p> <p data-bbox="199 1422 727 1509">Pump housing: Cast iron EN-GJL-250 ASTM class 35</p> <p data-bbox="199 1516 727 1603">Impeller: Cast iron EN-GJL-200 ASTM class 30</p> <p data-bbox="199 1641 320 1664">Installation:</p> <p data-bbox="199 1671 687 1693">Range of ambient temperature: -20 .. 50 °C</p> <p data-bbox="199 1700 632 1722">Maximum operating pressure: 16 bar</p> <p data-bbox="199 1729 727 1751">Max pressure at stated temp: 16 bar / 120 °C</p> <p data-bbox="199 1758 608 1780">Type of connection: DIN</p> <p data-bbox="199 1787 632 1809">Size of connection: DN 32</p> <p data-bbox="199 1816 632 1839">Pressure rating for connection: PN 16</p> <p data-bbox="199 1845 655 1868">Port-to-port length: 340 mm</p> <p data-bbox="199 1874 632 1897">Flange size for motor: FF165</p> <p data-bbox="199 1935 360 1957">Electrical data:</p> <p data-bbox="199 1964 608 1986">Motor type: 80B</p> <p data-bbox="199 1993 600 2016">IE Efficiency class: IE5</p> <p data-bbox="199 2022 639 2045">Rated power - P2: 1.1 kW</p> <p data-bbox="199 2051 632 2074">Mains frequency: 50 Hz</p> <p data-bbox="199 2080 711 2103">Rated voltage: 3 x 380-500 V</p>

Qty.	Description
1	<p>Rated current: 2.20-1.90 A  Cos phi - power factor: 0.89-0.79  Rated speed: 360-4000 rpm  Efficiency: 89.1%  Motor efficiency at full load: 89.1 %  Number of poles: 2  Enclosure class (IEC 34-5): IP55  Insulation class (IEC 85): F  Motor No: 98534623</p> <p>Others:  Minimum efficiency index, MEI ≥: 0.70  Net weight: 85.4 kg  Gross weight: 104 kg  Shipping volume: 0.39 m<sup>3</sup>  Country of origin: HU  Custom tariff no.: 84137065</p>

Description	Value
<b>General information:</b>	
Product name:	TPED 32-200/2 A-F-A-BQQE-GDB
Product No:	On request
EAN number:	On request
<b>Technical:</b>	
Pump speed on which pump data are based:	2900 rpm
Rated flow:	11 m <sup>3</sup> /h
Rated head:	15 m
Maximum head:	200 dm
Actual impeller diameter:	129 mm
Code for shaft seal:	BQQE
Curve tolerance:	ISO9906:2012 3B2
Pump version:	A
<b>Materials:</b>	
Pump housing:	Cast iron
Pump housing:	EN-GJL-250
Pump housing:	ASTM class 35
Impeller:	Cast iron
Impeller:	EN-GJL-200
Impeller:	ASTM class 30
Material code:	A
<b>Installation:</b>	
Range of ambient temperature:	-20 .. 50 °C
Maximum operating pressure:	16 bar
Max pressure at stated temp:	16 bar / 120 °C
Type of connection:	DIN
Size of connection:	DN 32
Pressure rating for connection:	PN 16
Port-to-port length:	340 mm
Flange size for motor:	FF165
Connect code:	F
<b>Liquid:</b>	
Pumped liquid:	Water
Liquid temperature range:	-25 .. 120 °C
Selected liquid temperature:	20 °C
Density:	998.2 kg/m <sup>3</sup>
<b>Electrical data:</b>	
Motor type:	80B
IE Efficiency class:	IE5
Rated power - P2:	1.1 kW
Mains frequency:	50 Hz
Rated voltage:	3 x 380-500 V
Rated current:	2.20-1.90 A
Cos phi - power factor:	0.89-0.79
Rated speed:	360-4000 rpm
Efficiency:	89.1%
Motor efficiency at full load:	89.1%
Number of poles:	2
Enclosure class (IEC 34-5):	IP55
Insulation class (IEC 85):	F
Built-in motor protection:	ELEC
Motor No:	98534623
<b>Controls:</b>	
Control panel:	HMI200 - Standard
Function Module:	FM300 - Advanced
Frequency converter:	Built-in
<b>Others:</b>	
Minimum efficiency index, MEI ≥:	0.70
Net weight:	85.4 kg
Gross weight:	104 kg
Shipping volume:	0.39 m <sup>3</sup>
Config. file no:	98478695



Description	Value
Country of origin:	HU
Custom tariff no.:	84137065



