
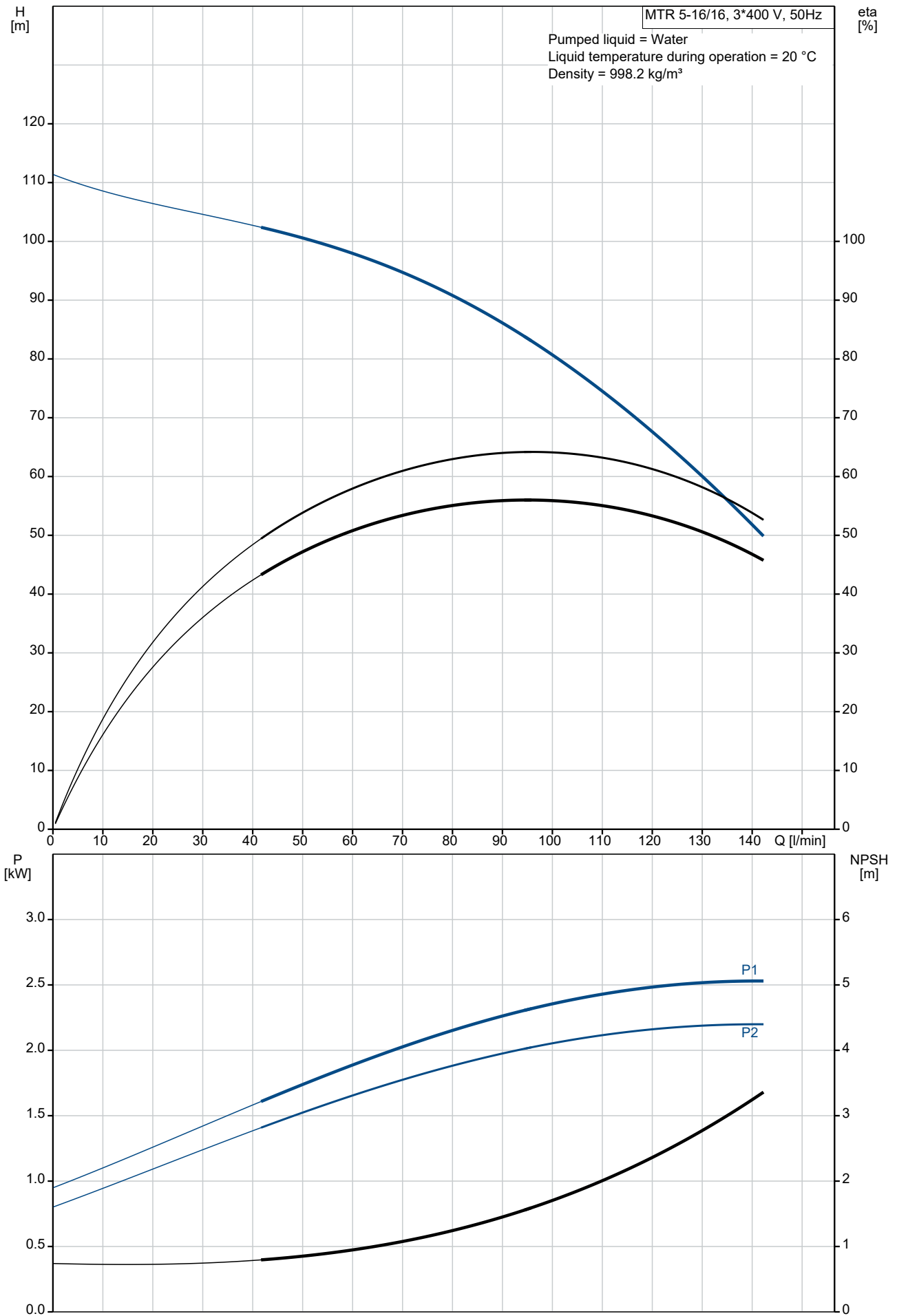


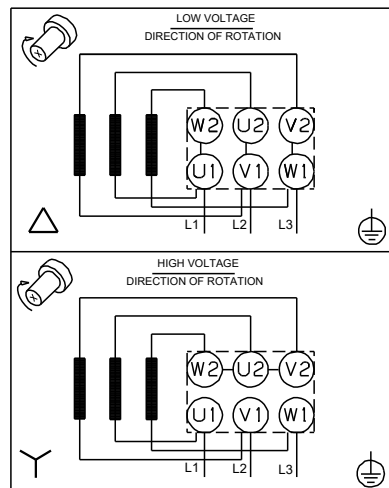
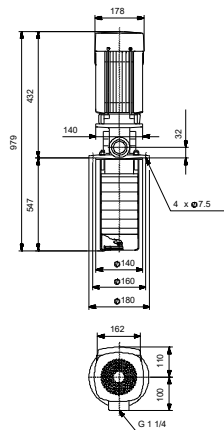
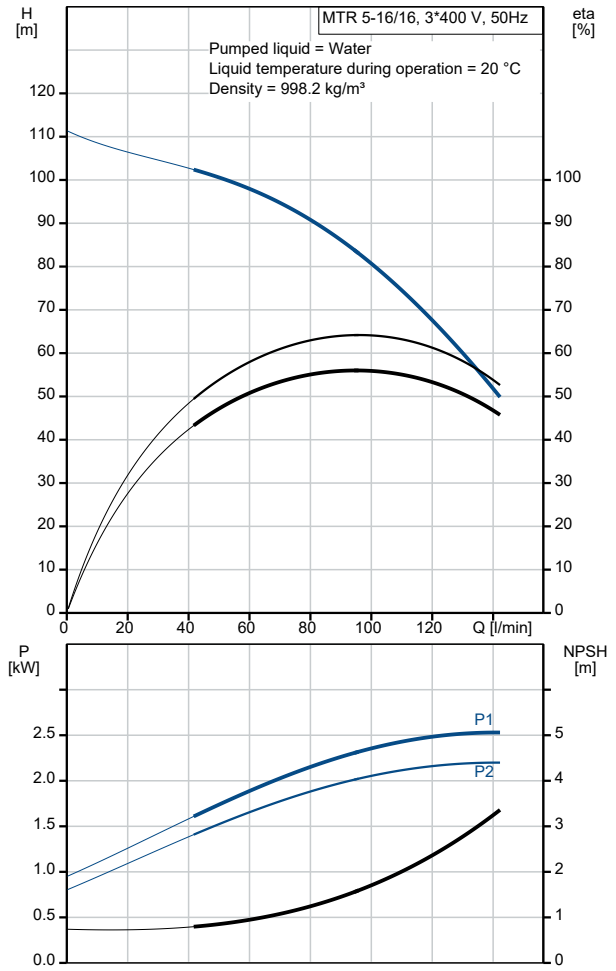
Qty.	Description
1	<p data-bbox="204 163 501 185"><b>MTR 5-16/16 A-W-A-HUUV</b></p>  <p data-bbox="204 483 480 506">Product No.: On request</p> <p data-bbox="204 544 1430 618">Multistage, immersible, self-priming, centrifugal pump for vertical installation in tanks etc. The pump head and base are in cast iron – all other wetted parts are in stainless steel. The pump has the following characteristics:</p> <ul data-bbox="240 629 1117 745" style="list-style-type: none"> <li>• Dimensions according to DIN 5440.</li> <li>• Impellers, intermediate chambers and spline shaft are made of Stainless steel.</li> <li>• Mechanical shaft seal according to EN 12756.</li> <li>• Power transmission via sintered metal split coupling.</li> </ul> <p data-bbox="204 750 1430 799">A cartridge shaft seal ensures high reliability, safe handling, and easy access and service. The pump is fitted with a 3-phase, fan-cooled asynchronous motor.</p> <p data-bbox="204 837 300 860"><b>Controls:</b></p> <p data-bbox="204 866 636 889">Frequency converter:                    NONE</p> <p data-bbox="204 927 276 949"><b>Liquid:</b></p> <p data-bbox="204 956 632 978">Pumped liquid:                            Water</p> <p data-bbox="204 985 691 1008">Liquid temperature range:            -10 .. 90 °C</p> <p data-bbox="204 1014 628 1037">Selected liquid temperature:        20 °C</p> <p data-bbox="204 1043 695 1066">Density:                                      998.2 kg/m<sup>3</sup></p> <p data-bbox="204 1104 316 1126"><b>Technical:</b></p> <p data-bbox="204 1133 820 1155">Pump speed on which pump data are based:    2899 rpm</p> <p data-bbox="204 1162 671 1184">Rated flow:                                 96.7 l/min</p> <p data-bbox="204 1191 639 1214">Rated head:                                 80.3 m</p> <p data-bbox="204 1220 592 1243">Chambers:                                  16</p> <p data-bbox="204 1249 584 1272">Drainage back to tank:                 N</p> <p data-bbox="204 1279 647 1301">Pump orientation:                        Vertical</p> <p data-bbox="204 1308 636 1330">Code for shaft seal:                     HUUV</p> <p data-bbox="204 1337 657 1359">Approvals:                                 CE,EAC</p> <p data-bbox="204 1366 759 1388">Curve tolerance:                         ISO9906:2012 3B</p> <p data-bbox="204 1426 309 1449"><b>Materials:</b></p> <p data-bbox="204 1456 802 1543">Pump head:                                 Cast iron EN 1561 EN-GJL-200 ASTM A48-25B</p> <p data-bbox="204 1550 724 1637">Impeller:                                    Stainless steel EN 1.4301 AISI 304</p> <p data-bbox="204 1675 325 1697"><b>Installation:</b></p> <p data-bbox="204 1704 628 1727">t max amb:                                 60 °C</p> <p data-bbox="204 1733 636 1756">Maximum operating pressure:        25 bar</p> <p data-bbox="204 1762 716 1785">Max pressure at stated temp:        25 bar / 90 °C</p> <p data-bbox="204 1792 746 1814">Type of connection:                    G internal thread</p> <p data-bbox="204 1821 671 1843">Size of outlet connection:            1 1/4 inch</p> <p data-bbox="204 1850 655 1872">Immersion depth:                        547 mm</p> <p data-bbox="204 1879 636 1901">Flange size for motor:                 FT115</p> <p data-bbox="204 1939 363 1962"><b>Electrical data:</b></p> <p data-bbox="204 1968 608 1991">Motor standard:                         IEC</p> <p data-bbox="204 1998 624 2020">Motor type:                                90LE</p> <p data-bbox="204 2027 600 2049">IE Efficiency class:                     IE3</p> <p data-bbox="204 2056 643 2078">Rated power - P2:                       2.2 kW</p>

Qty.	Description
1	<p> Mains frequency: 50 Hz  Suitable for 50/60 Hz: N  Rated voltage: 3 x 380-415D V  Rated current: 4.65 A  Starting current: 840-920 %  Cos phi - power factor: 0.86-0.80  Rated speed: 2890-2910 rpm  Efficiency: IE3 85,9%  Motor efficiency at full load: 85.9-85.9 %  Motor efficiency at 3/4 load: 88.2 %  Motor efficiency at 1/2 load: 88.0 %  Number of poles: 2  Enclosure class (IEC 34-5): 55 Dust/Jetting  Insulation class (IEC 85): F  Motor No: 85U11908   Others:  Terminal box position: 6  Minimum efficiency index, MEI <math>\geq</math>: 0.57  Net weight: 27.6 kg  Gross weight: 31.6 kg  Shipping volume: 0.097 m<sup>3</sup>  Country of origin: HU  Custom tariff no.: 84137075 </p>

# On request MTR 5-16/16 A-W-A-HUUV 50 Hz

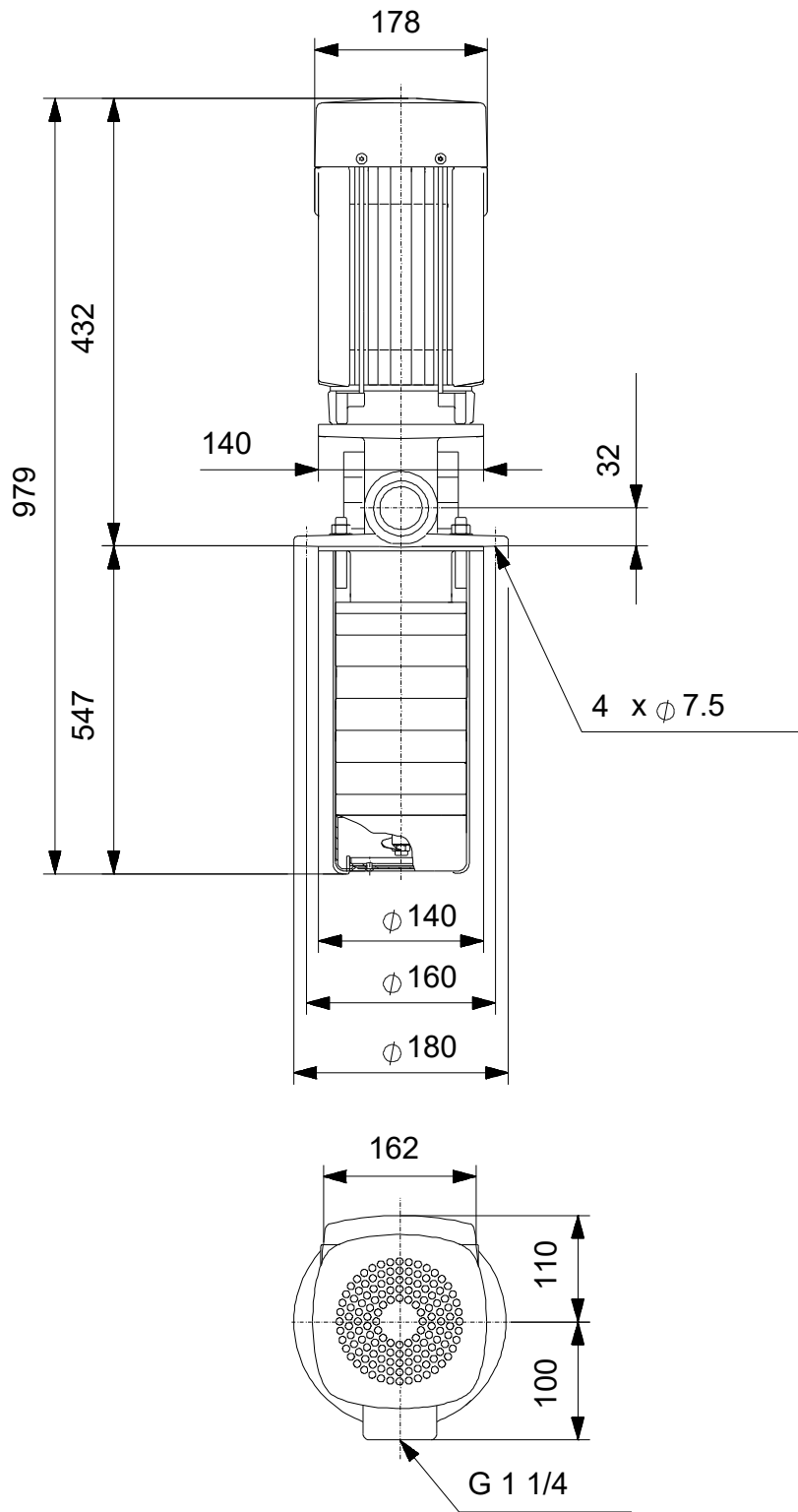


Description	Value
<b>General information:</b>	
Product name:	MTR 5-16/16 A-W-A-HUUV
Product No:	On request
EAN number:	On request
<b>Technical:</b>	
Pump speed on which pump data are based:	2899 rpm
Rated flow:	96.7 l/min
Rated head:	80.3 m
Chambers:	16
Impellers:	16
Number of reduced-diameter impellers:	0
Drainage back to tank:	N
Pump orientation:	Vertical
Code for shaft seal:	HUUV
Approvals:	CE,EAC
Curve tolerance:	ISO9906:2012 3B
Pump version:	A
Model:	A
<b>Materials:</b>	
Pump head:	Cast iron
Pump head:	EN 1561 EN-GJL-200
Pump head:	ASTM A48-25B
Impeller:	Stainless steel
Impeller:	EN 1.4301
Impeller:	AISI 304
Material code:	A
<b>Installation:</b>	
t max amb:	60 °C
Maximum operating pressure:	25 bar
Max pressure at stated temp:	25 bar / 90 °C
Type of connection:	G internal thread
Size of outlet connection:	1 1/4 inch
Immersion depth:	547 mm
Flange size for motor:	FT115
Connect code:	W </td
<b>Liquid:</b>	
Pumped liquid:	Water
Liquid temperature range:	-10 .. 90 °C
Selected liquid temperature:	20 °C
Density:	998.2 kg/m <sup>3</sup>
<b>Electrical data:</b>	
Motor standard:	IEC
Motor type:	90LE
IE Efficiency class:	IE3
Rated power - P2:	2.2 kW
Mains frequency:	50 Hz
Suitable for 50/60 Hz:	N
Rated voltage:	3 x 380-415D V
Rated current:	4.65 A
Starting current:	840-920 %
Cos phi - power factor:	0.86-0.80
Rated speed:	2890-2910 rpm
Efficiency:	IE3 85,9%
Motor efficiency at full load:	85.9-85.9 %
Motor efficiency at 3/4 load:	88.2 %
Motor efficiency at 1/2 load:	88.0 %
Number of poles:	2
Enclosure class (IEC 34-5):	55 Dust/Jetting
Insulation class (IEC 85):	F
Built-in motor protection:	NONE
Motor No:	85U11908
<b>Controls:</b>	



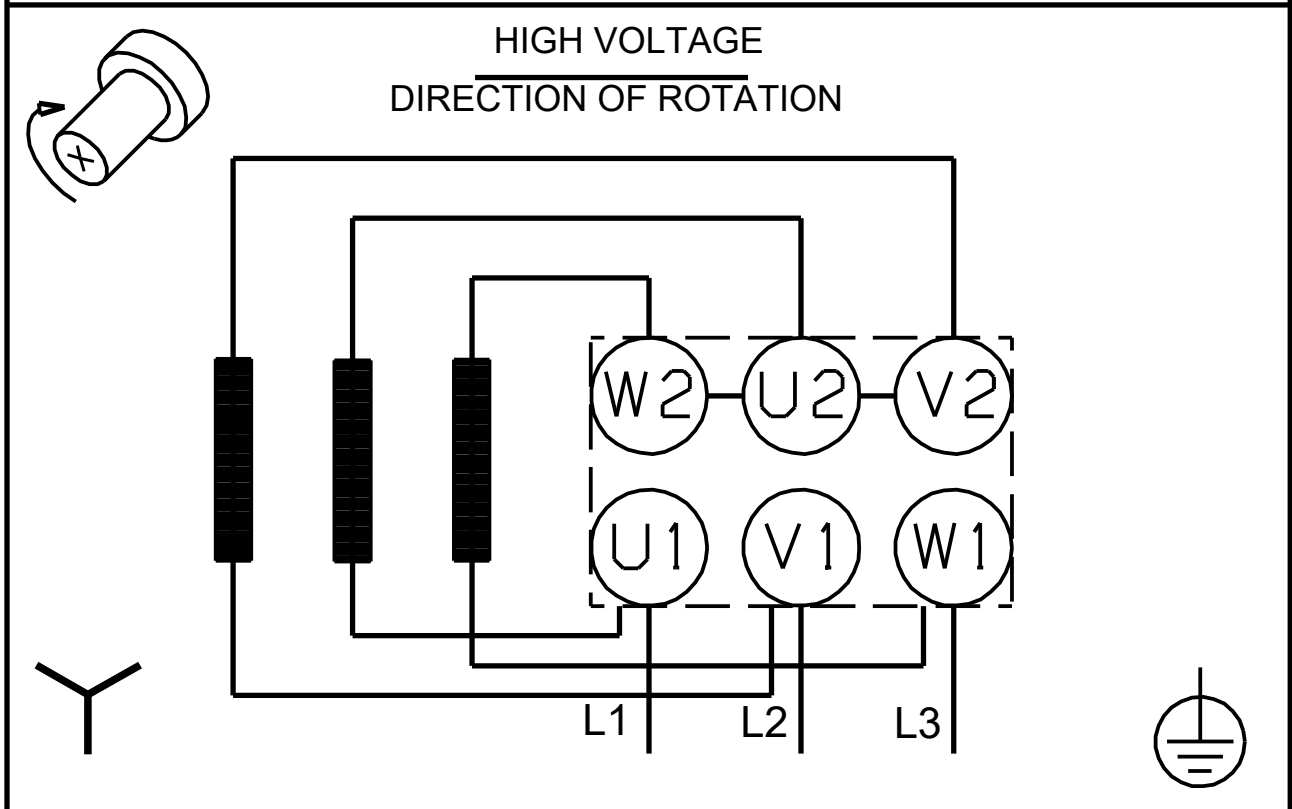
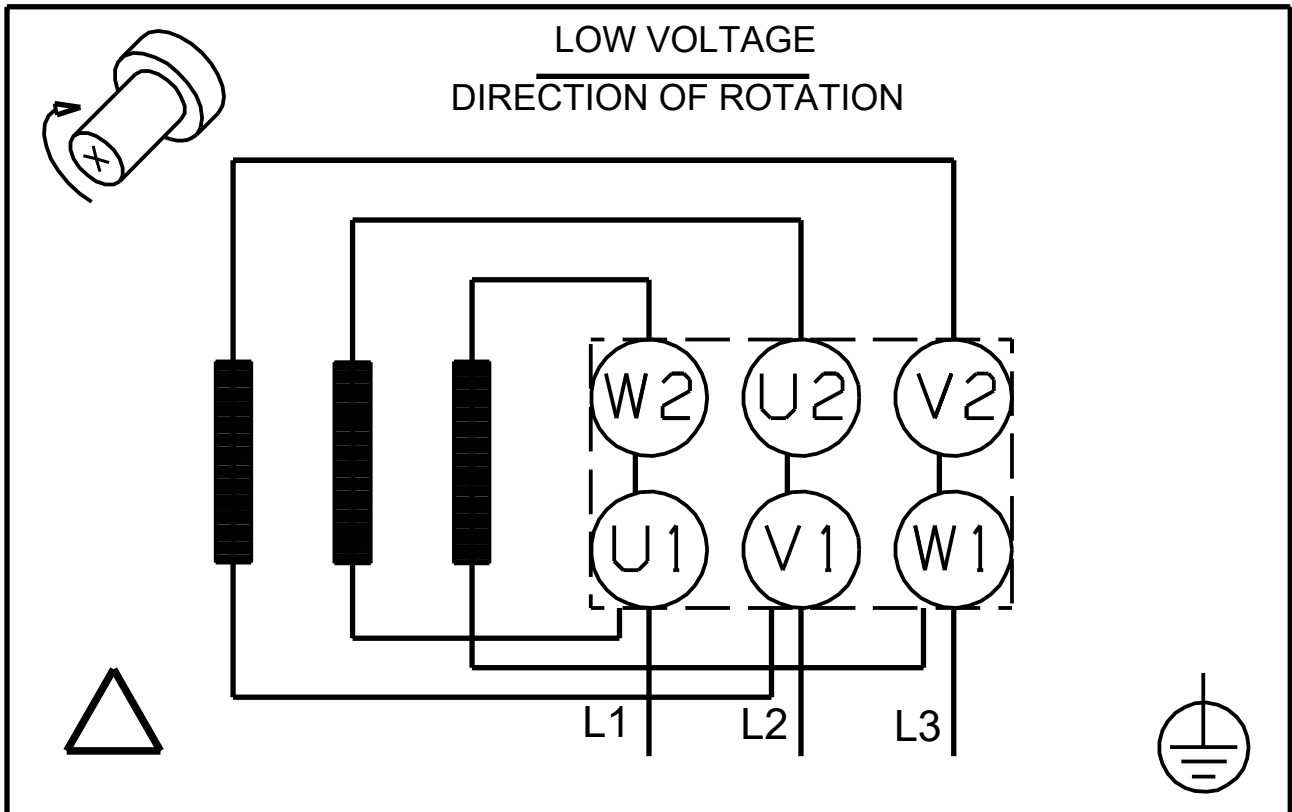
Description	Value
Frequency converter:	NONE
<b>Others:</b>	
Terminal box position:	6
Minimum efficiency index, MEI ≥:	0.57
Net weight:	27.6 kg
Gross weight:	31.6 kg
Shipping volume:	0.097 m <sup>3</sup>
Country of origin:	HU
Custom tariff no.:	84137075

**On request MTR 5-16/16 A-W-A-HUUV 50 Hz**



Note! All units are in [mm] unless others are stated.  
Disclaimer: This simplified dimensional drawing does not show all details.

**On request MTR 5-16/16 A-W-A-HUUV 50 Hz**



Note! All units are in [mm] unless others are stated.

**Order Data:**

<b>Position</b>	<b>Your pos.</b>	<b>Product name</b>	<b>Amount</b>	<b>Product No</b>	<b>Total</b>
		MTR 5-16/16	1	On request	Price on request