
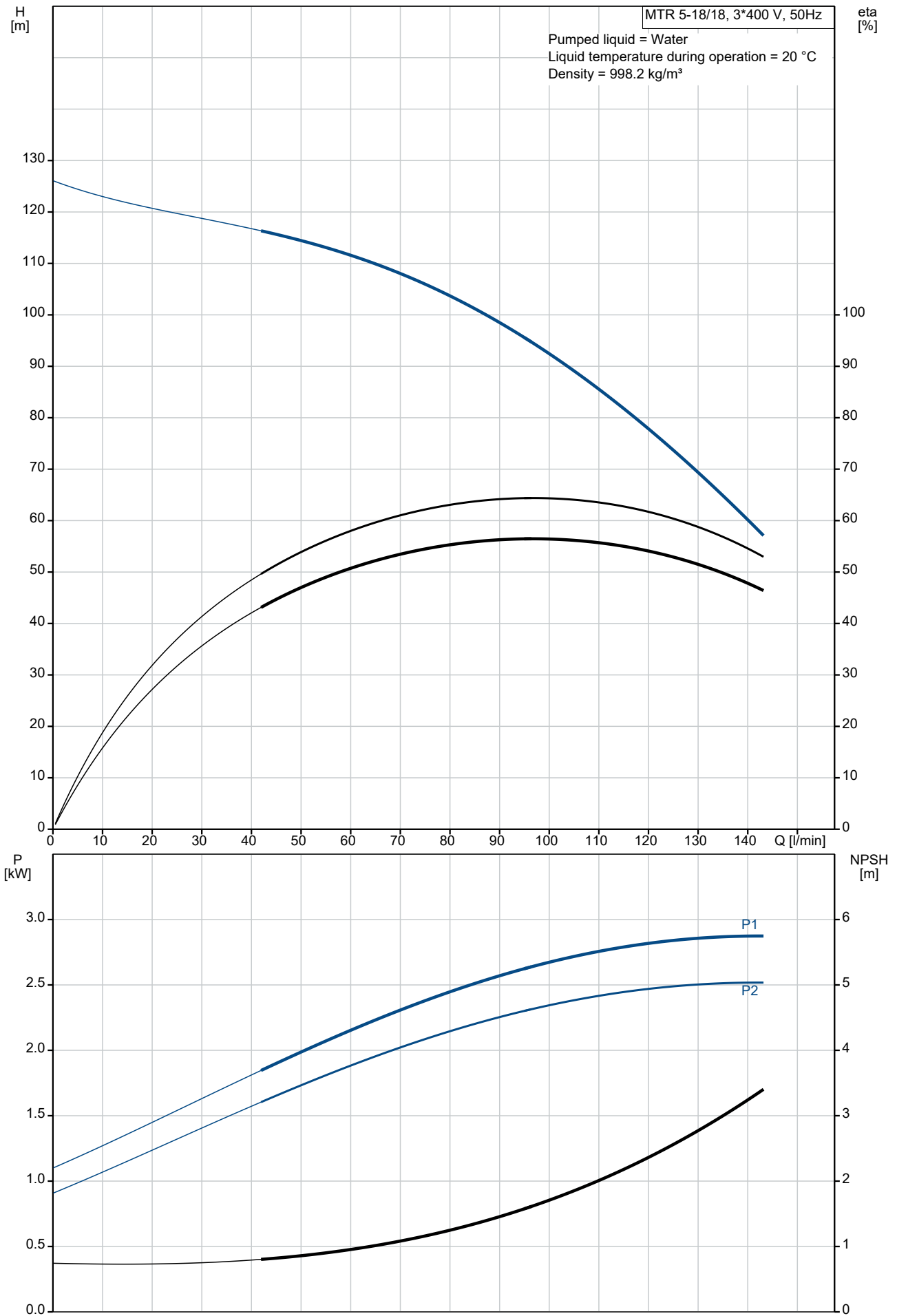


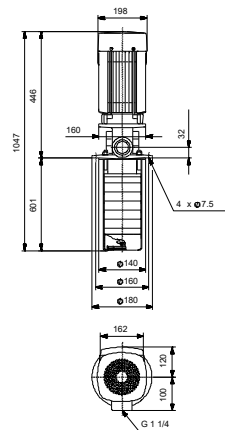
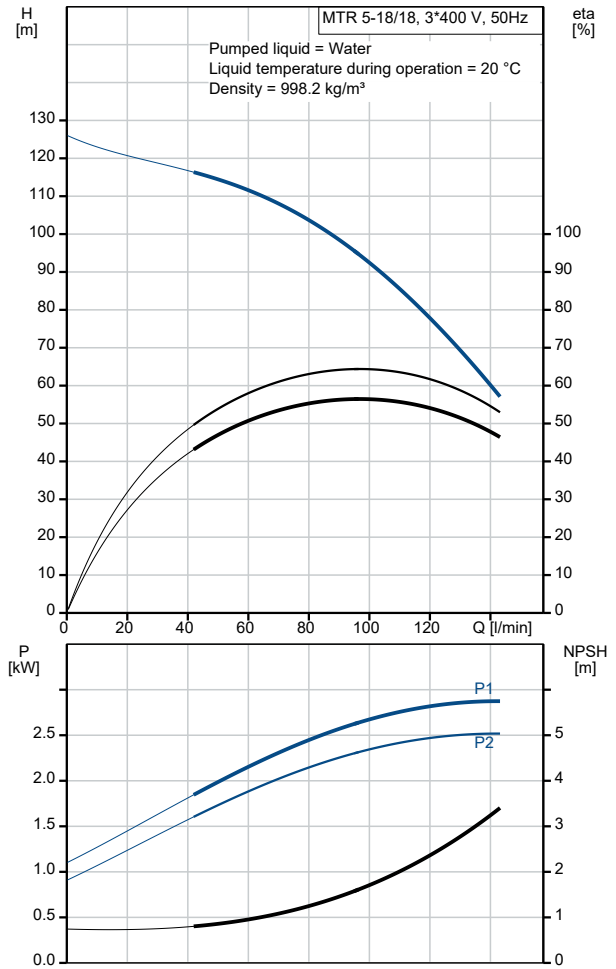
Qty.	Description
1	<b>MTR 5-18/18 A-W-A-HUUV</b>
	
	Product No.: On request
	Multistage, immersible, self-priming, centrifugal pump for vertical installation in tanks etc. The pump head and base are in cast iron – all other wetted parts are in stainless steel. The pump has the following characteristics:
	<ul style="list-style-type: none"> <li>• Dimensions according to DIN 5440.</li> <li>• Impellers, intermediate chambers and spline shaft are made of Stainless steel.</li> <li>• Mechanical shaft seal according to EN 12756.</li> <li>• Power transmission via sintered metal split coupling.</li> </ul>
	A cartridge shaft seal ensures high reliability, safe handling, and easy access and service. The pump is fitted with a 3-phase, fan-cooled asynchronous motor.
	<b>Controls:</b>
	Frequency converter:                 NONE
	<b>Liquid:</b>
	Pumped liquid:                         Water
	Liquid temperature range:         -10 .. 90 °C
	Selected liquid temperature:       20 °C
	Density:                                 998.2 kg/m <sup>3</sup>
	<b>Technical:</b>
	Pump speed on which pump data are based:   2902 rpm
	Rated flow:                             96.7 l/min
	Rated head:                            92.5 m
	Chambers:                             18
	Drainage back to tank:             N
	Pump orientation:                    Vertical
	Code for shaft seal:                 HUUV
	Approvals:                            CE,EAC
	Curve tolerance:                    ISO9906:2012 3B
	<b>Materials:</b>
	Pump head:                            Cast iron EN 1561 EN-GJL-200 ASTM A48-25B
	Impeller:                               Stainless steel EN 1.4301 AISI 304
	<b>Installation:</b>
	t max amb:                             60 °C
	Maximum operating pressure:       25 bar
	Max pressure at stated temp:       25 bar / 90 °C
	Type of connection:                 G internal thread
	Size of outlet connection:         1 1/4 inch
	Immersion depth:                    601 mm
	Flange size for motor:             FT130
	<b>Electrical data:</b>
	Motor standard:                     IEC
	Motor type:                          100LC
	IE Efficiency class:                 IE3
	Rated power - P2:                    3 kW

Qty.	Description																																														
1	<table> <tr> <td>Mains frequency:</td> <td>50 Hz</td> </tr> <tr> <td>Suitable for 50/60 Hz:</td> <td>N</td> </tr> <tr> <td>Rated voltage:</td> <td>3 x 380-415D V</td> </tr> <tr> <td>Rated current:</td> <td>6.3 A</td> </tr> <tr> <td>Starting current:</td> <td>840-920 %</td> </tr> <tr> <td>Cos phi - power factor:</td> <td>0.87-0.82</td> </tr> <tr> <td>Rated speed:</td> <td>2900-2920 rpm</td> </tr> <tr> <td>Efficiency:</td> <td>IE3 87,1%</td> </tr> <tr> <td>Motor efficiency at full load:</td> <td>87.1 %</td> </tr> <tr> <td>Motor efficiency at 3/4 load:</td> <td>88.0 %</td> </tr> <tr> <td>Motor efficiency at 1/2 load:</td> <td>87.7 %</td> </tr> <tr> <td>Number of poles:</td> <td>2</td> </tr> <tr> <td>Enclosure class (IEC 34-5):</td> <td>55 Dust/Jetting</td> </tr> <tr> <td>Insulation class (IEC 85):</td> <td>F</td> </tr> <tr> <td>Motor No:</td> <td>85U15510</td> </tr> <tr> <td colspan="2">Others:</td> </tr> <tr> <td>Terminal box position:</td> <td>6</td> </tr> <tr> <td>Minimum efficiency index, MEI ≥:</td> <td>0.57</td> </tr> <tr> <td>Net weight:</td> <td>32.7 kg</td> </tr> <tr> <td>Gross weight:</td> <td>36.7 kg</td> </tr> <tr> <td>Shipping volume:</td> <td>0.097 m<sup>3</sup></td> </tr> <tr> <td>Country of origin:</td> <td>HU</td> </tr> <tr> <td>Custom tariff no.:</td> <td>84137075</td> </tr> </table>	Mains frequency:	50 Hz	Suitable for 50/60 Hz:	N	Rated voltage:	3 x 380-415D V	Rated current:	6.3 A	Starting current:	840-920 %	Cos phi - power factor:	0.87-0.82	Rated speed:	2900-2920 rpm	Efficiency:	IE3 87,1%	Motor efficiency at full load:	87.1 %	Motor efficiency at 3/4 load:	88.0 %	Motor efficiency at 1/2 load:	87.7 %	Number of poles:	2	Enclosure class (IEC 34-5):	55 Dust/Jetting	Insulation class (IEC 85):	F	Motor No:	85U15510	Others:		Terminal box position:	6	Minimum efficiency index, MEI ≥:	0.57	Net weight:	32.7 kg	Gross weight:	36.7 kg	Shipping volume:	0.097 m <sup>3</sup>	Country of origin:	HU	Custom tariff no.:	84137075
Mains frequency:	50 Hz																																														
Suitable for 50/60 Hz:	N																																														
Rated voltage:	3 x 380-415D V																																														
Rated current:	6.3 A																																														
Starting current:	840-920 %																																														
Cos phi - power factor:	0.87-0.82																																														
Rated speed:	2900-2920 rpm																																														
Efficiency:	IE3 87,1%																																														
Motor efficiency at full load:	87.1 %																																														
Motor efficiency at 3/4 load:	88.0 %																																														
Motor efficiency at 1/2 load:	87.7 %																																														
Number of poles:	2																																														
Enclosure class (IEC 34-5):	55 Dust/Jetting																																														
Insulation class (IEC 85):	F																																														
Motor No:	85U15510																																														
Others:																																															
Terminal box position:	6																																														
Minimum efficiency index, MEI ≥:	0.57																																														
Net weight:	32.7 kg																																														
Gross weight:	36.7 kg																																														
Shipping volume:	0.097 m <sup>3</sup>																																														
Country of origin:	HU																																														
Custom tariff no.:	84137075																																														

# On request MTR 5-18/18 A-W-A-HUUV 50 Hz

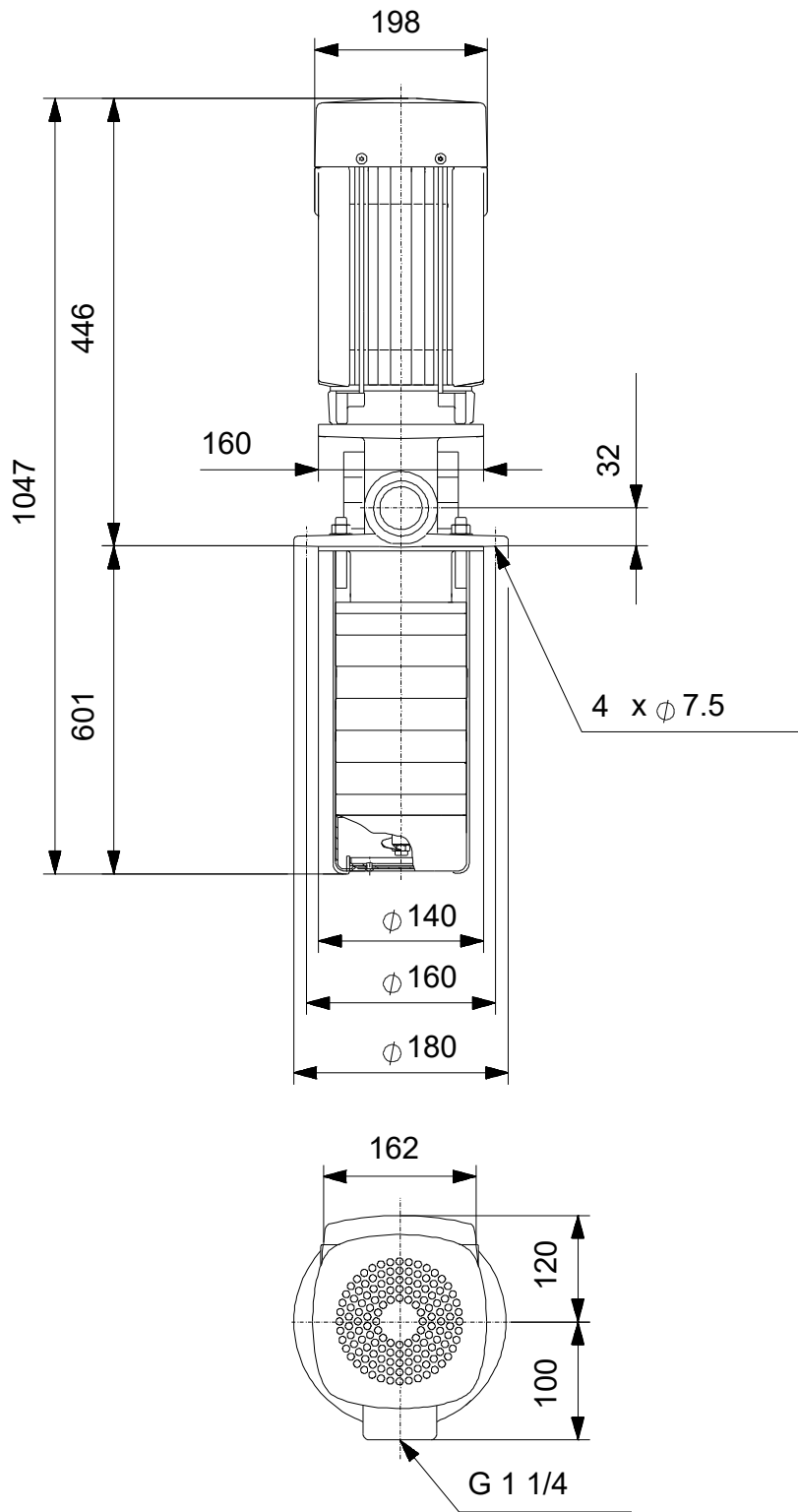


Description	Value
<b>General information:</b>	
Product name:	MTR 5-18/18 A-W-A-HUUV
Product No:	On request
EAN number:	On request
<b>Technical:</b>	
Pump speed on which pump data are based:	2902 rpm
Rated flow:	96.7 l/min
Rated head:	92.5 m
Chambers:	18
Impellers:	18
Number of reduced-diameter impellers:	0
Drainage back to tank:	N
Pump orientation:	Vertical
Code for shaft seal:	HUUV
Approvals:	CE,EAC
Curve tolerance:	ISO9906:2012 3B
Pump version:	A
Model:	A
<b>Materials:</b>	
Pump head:	Cast iron
Pump head:	EN 1561 EN-GJL-200
Pump head:	ASTM A48-25B
Impeller:	Stainless steel
Impeller:	EN 1.4301
Impeller:	AISI 304
Material code:	A
<b>Installation:</b>	
t max amb:	60 °C
Maximum operating pressure:	25 bar
Max pressure at stated temp:	25 bar / 90 °C
Type of connection:	G internal thread
Size of outlet connection:	1 1/4 inch
Immersion depth:	601 mm
Flange size for motor:	FT130
Connect code:	W </td
<b>Liquid:</b>	
Pumped liquid:	Water
Liquid temperature range:	-10 .. 90 °C
Selected liquid temperature:	20 °C
Density:	998.2 kg/m <sup>3</sup>
<b>Electrical data:</b>	
Motor standard:	IEC
Motor type:	100LC
IE Efficiency class:	IE3
Rated power - P2:	3 kW
Mains frequency:	50 Hz
Suitable for 50/60 Hz:	N
Rated voltage:	3 x 380-415D V
Rated current:	6.3 A
Starting current:	840-920 %
Cos phi - power factor:	0.87-0.82
Rated speed:	2900-2920 rpm
Efficiency:	IE3 87,1%
Motor efficiency at full load:	87.1 %
Motor efficiency at 3/4 load:	88.0 %
Motor efficiency at 1/2 load:	87.7 %
Number of poles:	2
Enclosure class (IEC 34-5):	55 Dust/Jetting
Insulation class (IEC 85):	F
Built-in motor protection:	PTC
Motor No:	85U15510
<b>Controls:</b>	



Description	Value
Frequency converter:	NONE
<b>Others:</b>	
Terminal box position:	6
Minimum efficiency index, MEI ≥:	0.57
Net weight:	32.7 kg
Gross weight:	36.7 kg
Shipping volume:	0.097 m <sup>3</sup>
Country of origin:	HU
Custom tariff no.:	84137075

**On request MTR 5-18/18 A-W-A-HUUV 50 Hz**



Note! All units are in [mm] unless others are stated.  
Disclaimer: This simplified dimensional drawing does not show all details.

**On request MTR 5-18/18 A-W-A-HUUV 50 Hz**



IEC TP211 THERMALLY PROTECTED WHEN THE THERMISTORS ARE  
CONNECTED TO AMPLIFIER RELAY FOR CONTROL OF MAIN SUPPLY  
THERMISTORS PTC ACCORDING TO DIN 44082

Note! All units are in [mm] unless others are stated.

