
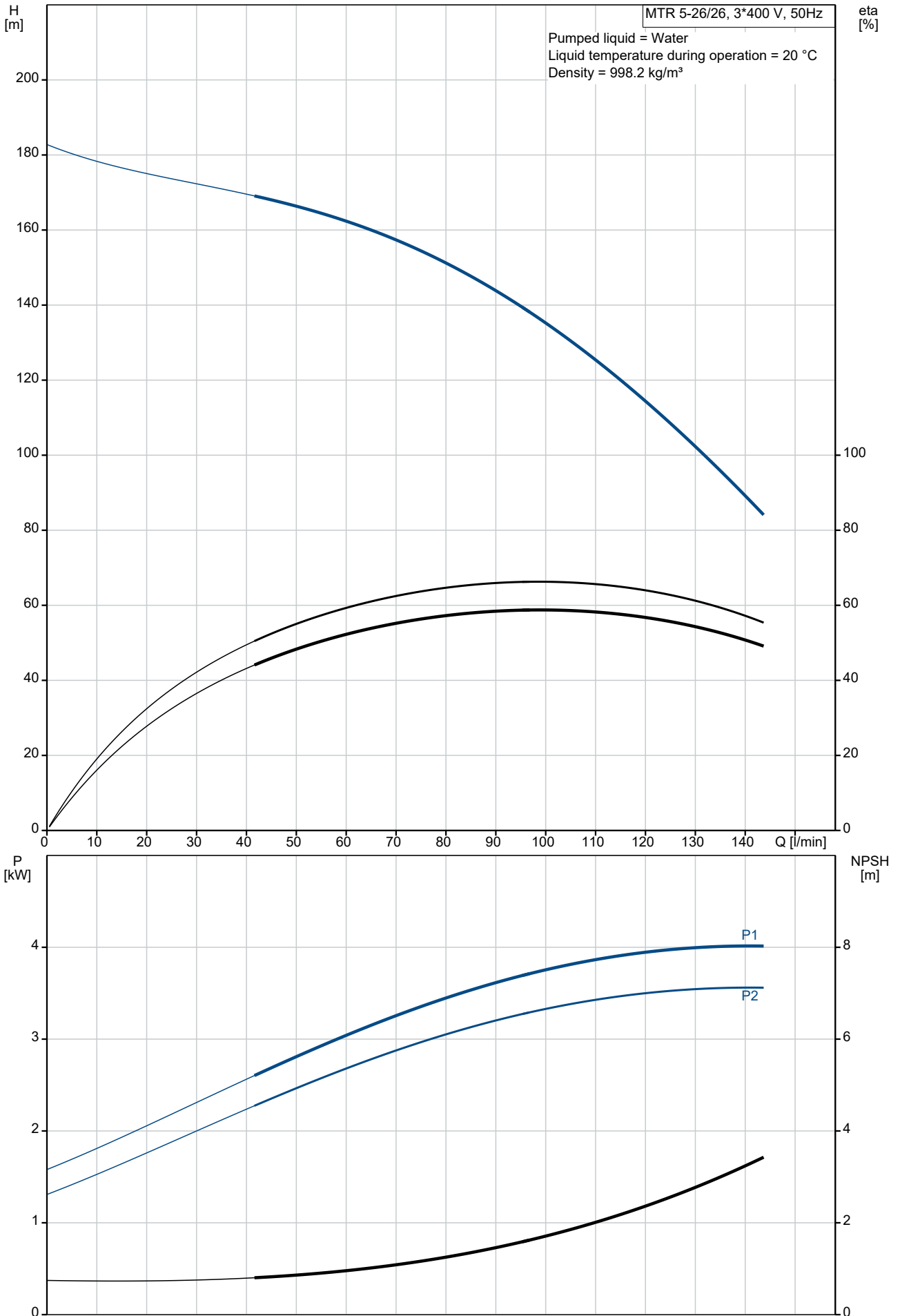


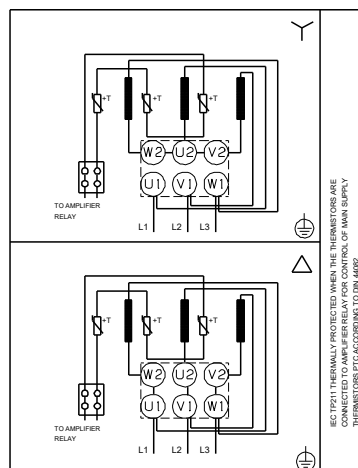
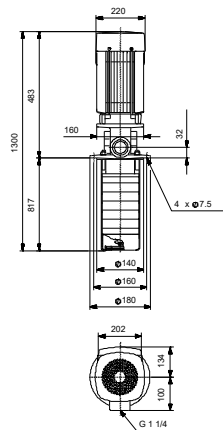
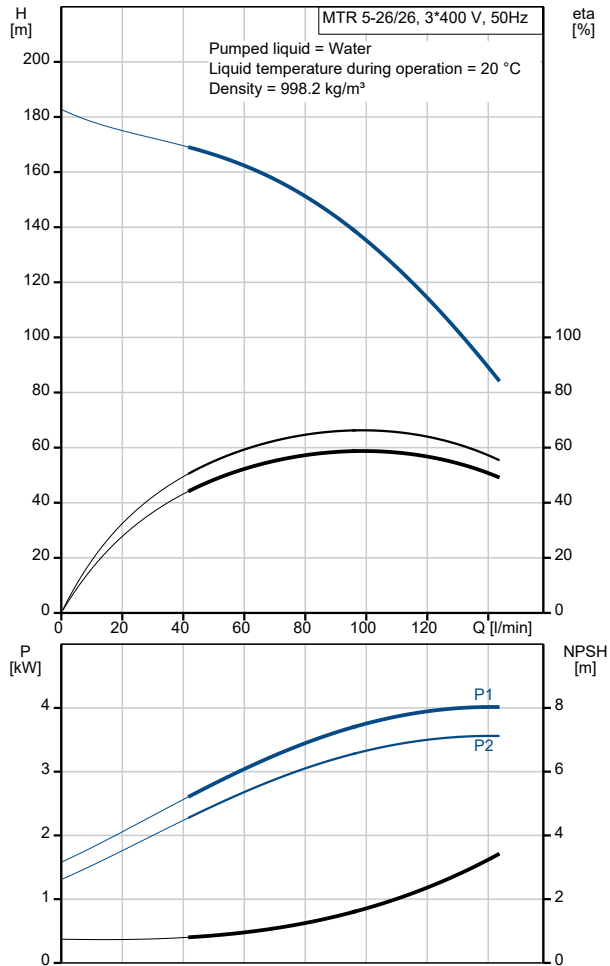
Qty.	Description
1	<b>MTR 5-26/26 A-W-A-HUUV</b>
	
	Product No.: On request
	Multistage, immersible, self-priming, centrifugal pump for vertical installation in tanks etc. The pump head and base are in cast iron – all other wetted parts are in stainless steel. The pump has the following characteristics:
	<ul style="list-style-type: none"> <li>• Dimensions according to DIN 5440.</li> <li>• Impellers, intermediate chambers and spline shaft are made of Stainless steel.</li> <li>• Mechanical shaft seal according to EN 12756.</li> <li>• Power transmission via sintered metal split coupling.</li> </ul>
	A cartridge shaft seal ensures high reliability, safe handling, and easy access and service. The pump is fitted with a 3-phase, fan-cooled asynchronous motor.
	<b>Controls:</b>
	Frequency converter:                    NONE
	<b>Liquid:</b>
	Pumped liquid:                            Water
	Liquid temperature range:            -10 .. 90 °C
	Selected liquid temperature:        20 °C
	Density:                                    998.2 kg/m <sup>3</sup>
	<b>Technical:</b>
	Pump speed on which pump data are based:    2917 rpm
	Rated flow:                                96.7 l/min
	Rated head:                                134.8 m
	Chambers:                                26
	Drainage back to tank:                N
	Pump orientation:                        Vertical
	Code for shaft seal:                    HUUV
	Approvals:                                CE,EAC
	Curve tolerance:                        ISO9906:2012 3B
	<b>Materials:</b>
	Pump head:                                Cast iron EN 1561 EN-GJL-200 ASTM A48-25B
	Impeller:                                    Stainless steel EN 1.4301 AISI 304
	<b>Installation:</b>
	t max amb:                                60 °C
	Maximum operating pressure:        25 bar
	Max pressure at stated temp:        25 bar / 90 °C
	Type of connection:                    G internal thread
	Size of outlet connection:            1 1/4 inch
	Immersion depth:                        817 mm
	Flange size for motor:                FT130
	<b>Electrical data:</b>
	Motor standard:                        IEC
	Motor type:                                112MC
	IE Efficiency class:                    IE3
	Rated power - P2:                        4 kW

Qty.	Description
1	<p> Mains frequency: 50 Hz  Suitable for 50/60 Hz: N  Rated voltage: 3 x 380-415D V  Rated current: 7.9 A  Starting current: 1000-1110 %  Cos phi - power factor: 0.87-0.87  Rated speed: 2920-2940 rpm  Efficiency: IE3 88,1%  Motor efficiency at full load: 88.1 %  Motor efficiency at 3/4 load: 88.6 %  Motor efficiency at 1/2 load: 85.2 %  Number of poles: 2  Enclosure class (IEC 34-5): 55 Dust/Jetting  Insulation class (IEC 85): F  Motor No: 85U15413   Others:  Terminal box position: 6  Minimum efficiency index, MEI ≥: 0.57  Net weight: 44.7 kg  Gross weight: 48.9 kg  Shipping volume: 0.108 m<sup>3</sup>  Danish VVS No.: 386964026  Country of origin: HU  Custom tariff no.: 84137075 </p>

# On request MTR 5-26/26 A-W-A-HUUV 50 Hz

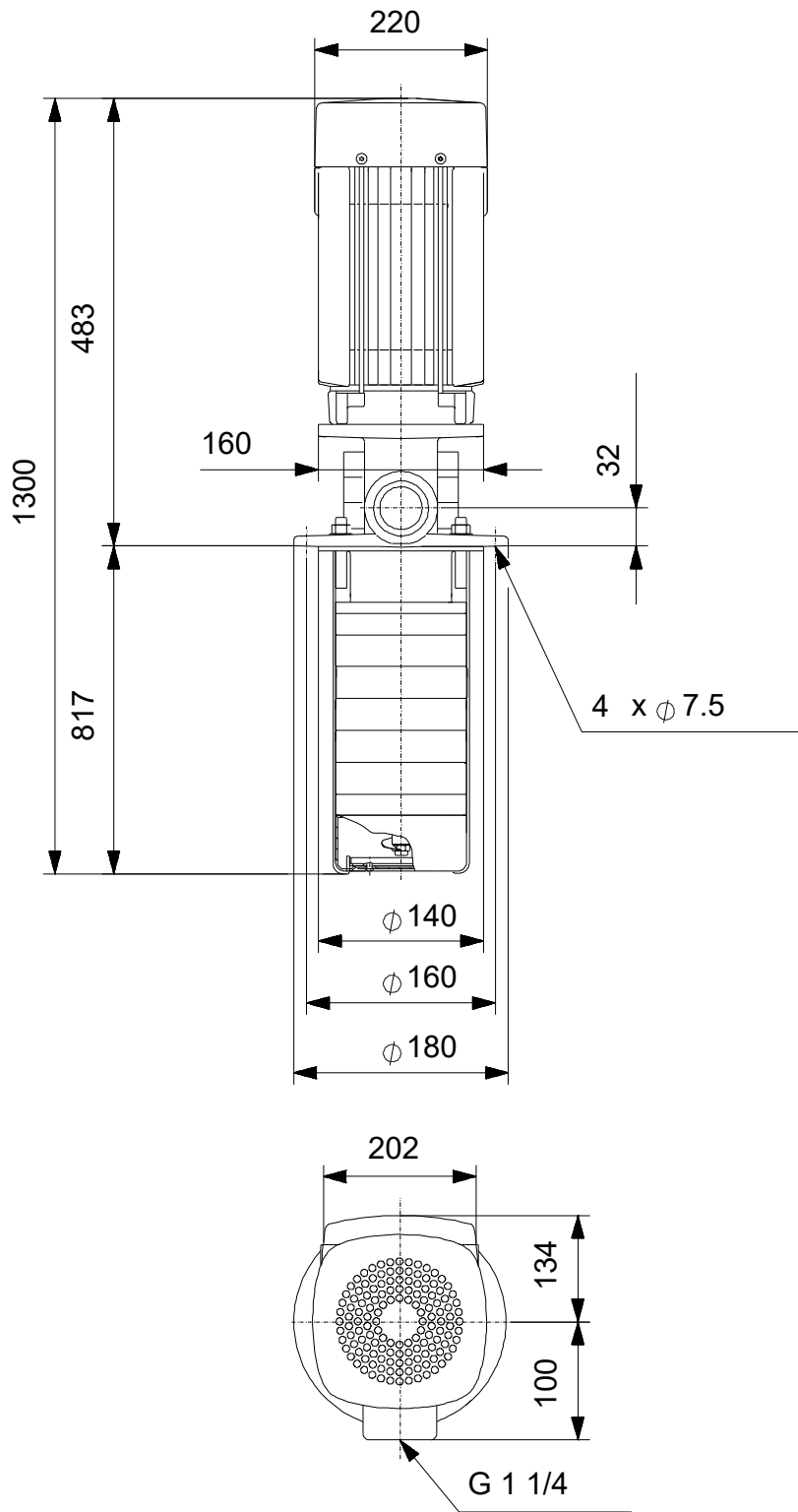


Description	Value
<b>General information:</b>	
Product name:	MTR 5-26/26 A-W-A-HUUV
Product No:	On request
EAN number:	On request
<b>Technical:</b>	
Pump speed on which pump data are based:	2917 rpm
Rated flow:	96.7 l/min
Rated head:	134.8 m
Chambers:	26
Impellers:	26
Number of reduced-diameter impellers:	0
Drainage back to tank:	N
Pump orientation:	Vertical
Code for shaft seal:	HUUV
Approvals:	CE,EAC
Curve tolerance:	ISO9906:2012 3B
Pump version:	A
Model:	A
<b>Materials:</b>	
Pump head:	Cast iron
Pump head:	EN 1561 EN-GJL-200
Pump head:	ASTM A48-25B
Impeller:	Stainless steel
Impeller:	EN 1.4301
Impeller:	AISI 304
Material code:	A
<b>Installation:</b>	
t max amb:	60 °C
Maximum operating pressure:	25 bar
Max pressure at stated temp:	25 bar / 90 °C
Type of connection:	G internal thread
Size of outlet connection:	1 1/4 inch
Immersion depth:	817 mm
Flange size for motor:	FT130
Connect code:	W
<b>Liquid:</b>	
Pumped liquid:	Water
Liquid temperature range:	-10 .. 90 °C
Selected liquid temperature:	20 °C
Density:	998.2 kg/m <sup>3</sup>
<b>Electrical data:</b>	
Motor standard:	IEC
Motor type:	112MC
IE Efficiency class:	IE3
Rated power - P2:	4 kW
Mains frequency:	50 Hz
Suitable for 50/60 Hz:	N
Rated voltage:	3 x 380-415D V
Rated current:	7.9 A
Starting current:	1000-1110 %
Cos phi - power factor:	0.87-0.87
Rated speed:	2920-2940 rpm
Efficiency:	IE3 88,1%
Motor efficiency at full load:	88.1 %
Motor efficiency at 3/4 load:	88.6 %
Motor efficiency at 1/2 load:	85.2 %
Number of poles:	2
Enclosure class (IEC 34-5):	55 Dust/Jetting
Insulation class (IEC 85):	F
Built-in motor protection:	PTC
Motor No:	85U15413
<b>Controls:</b>	



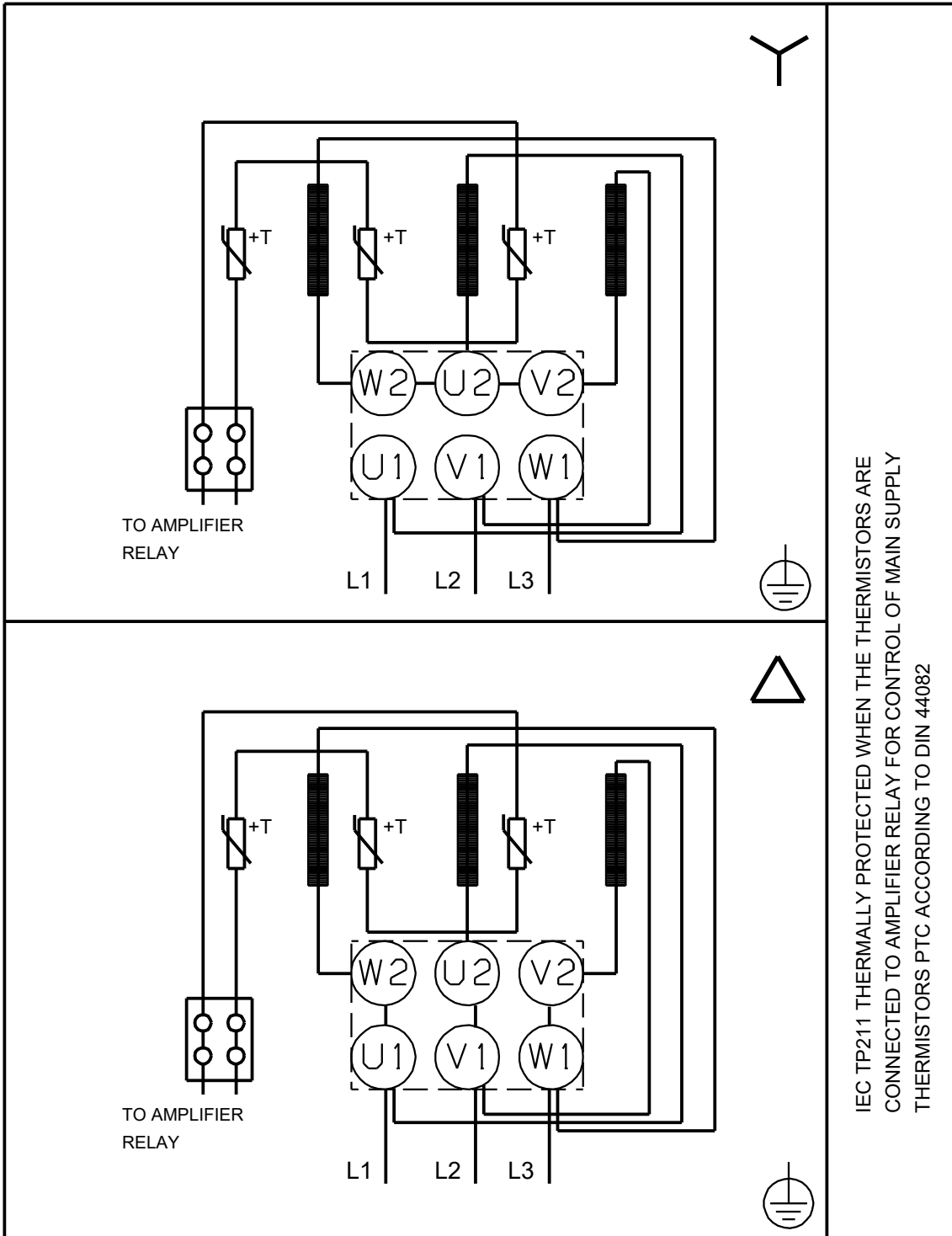
Description	Value
Frequency converter:	NONE
<b>Others:</b>	
Terminal box position:	6
Minimum efficiency index, MEI ≥:	0.57
Net weight:	44.7 kg
Gross weight:	48.9 kg
Shipping volume:	0.108 m <sup>3</sup>
Danish VVS No.:	386964026
Country of origin:	HU
Custom tariff no.:	84137075

**On request MTR 5-26/26 A-W-A-HUUV 50 Hz**



Note! All units are in [mm] unless others are stated.  
Disclaimer: This simplified dimensional drawing does not show all details.

**On request MTR 5-26/26 A-W-A-HUUV 50 Hz**



IEC TP211 THERMALLY PROTECTED WHEN THE THERMISTORS ARE  
CONNECTED TO AMPLIFIER RELAY FOR CONTROL OF MAIN SUPPLY  
THERMISTORS PTC ACCORDING TO DIN 44082

Note! All units are in [mm] unless others are stated.

