
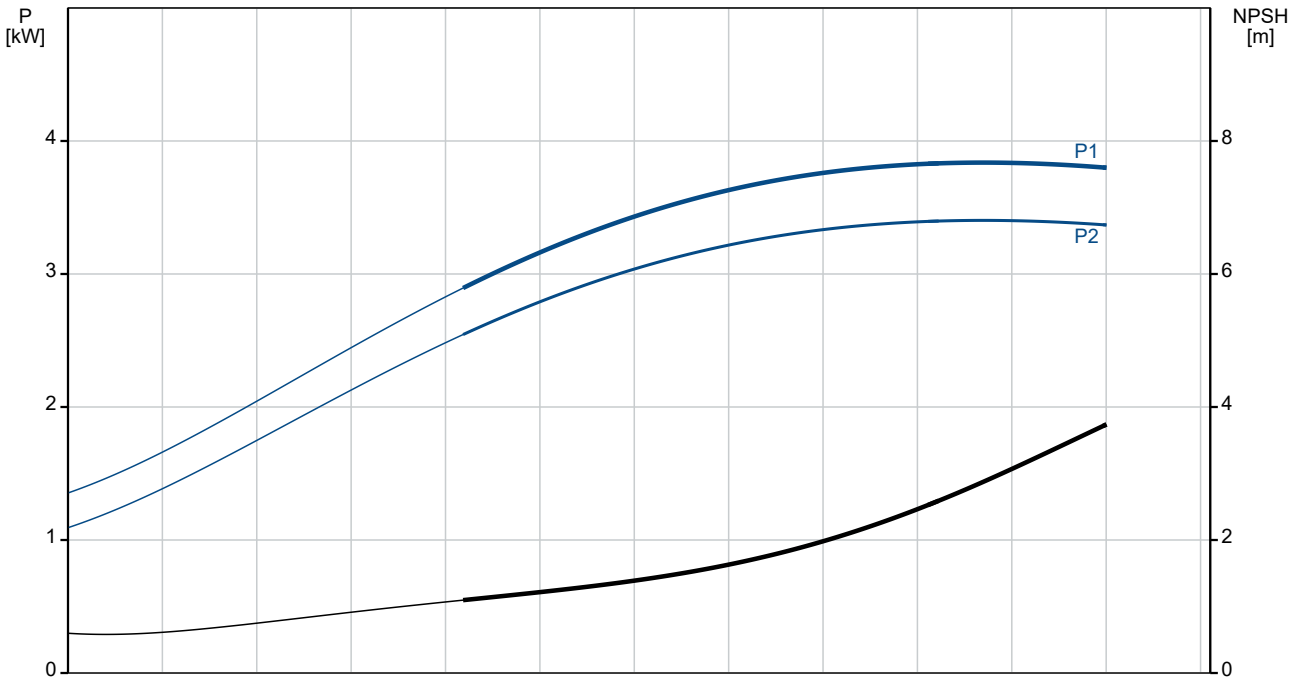
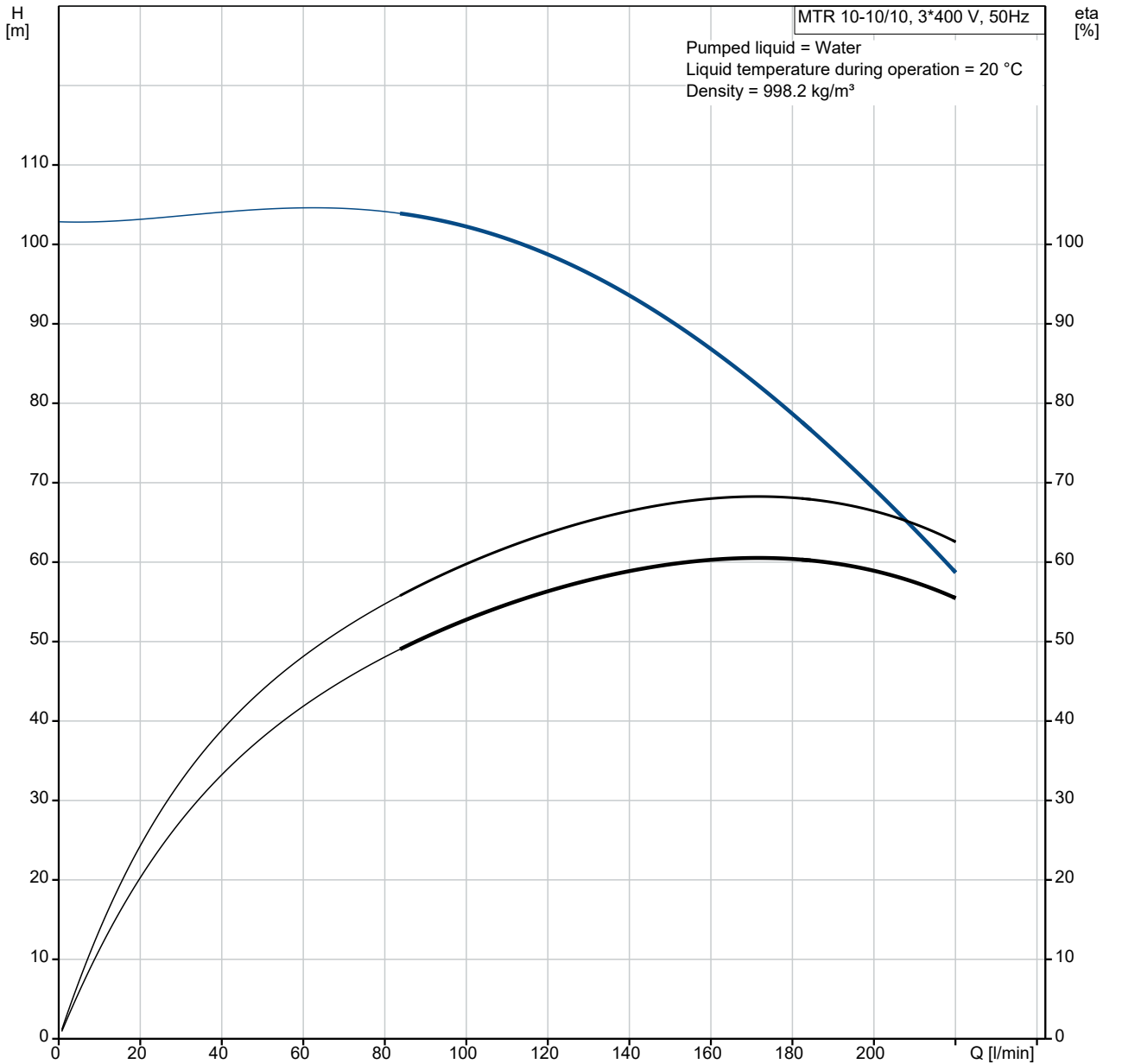


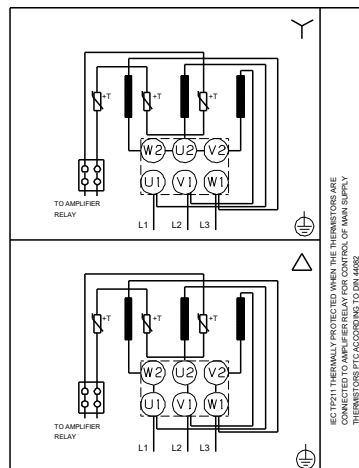
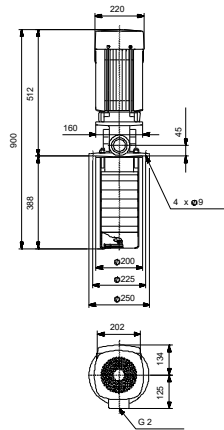
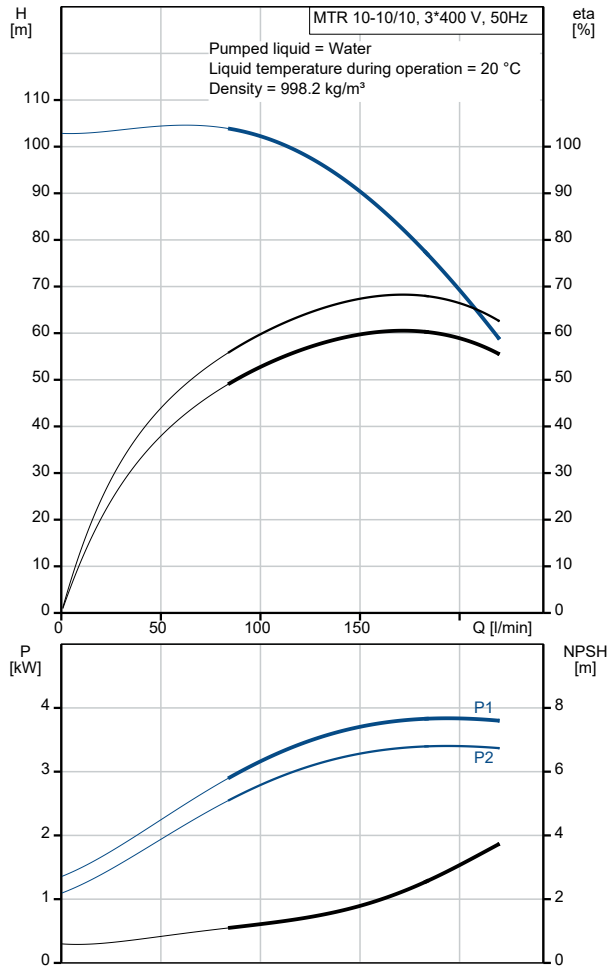
Qty.	Description
1	<p data-bbox="204 163 515 185">MTR 10-10/10 A-W-A-HUUV</p>  <p data-bbox="204 483 480 506">Product No.: On request</p> <p data-bbox="204 544 1430 618">Multistage, immersible, self-priming, centrifugal pump for vertical installation in tanks etc. The pump head and base are in cast iron – all other wetted parts are in stainless steel. The pump has the following characteristics:</p> <ul data-bbox="240 629 1115 745" style="list-style-type: none"> • Dimensions according to DIN 5440. • Impellers, intermediate chambers and spline shaft are made of Stainless steel. • Mechanical shaft seal according to EN 12756. • Power transmission via sintered metal split coupling. <p data-bbox="204 750 1430 801">A cartridge shaft seal ensures high reliability, safe handling, and easy access and service. The pump is fitted with a 3-phase, fan-cooled asynchronous motor.</p> <p data-bbox="204 837 300 860">Controls:</p> <p data-bbox="204 866 636 889">Frequency converter: NONE</p> <p data-bbox="204 925 276 947">Liquid:</p> <p data-bbox="204 954 632 976">Pumped liquid: Water</p> <p data-bbox="204 983 691 1005">Liquid temperature range: -10 .. 90 °C</p> <p data-bbox="204 1012 632 1034">Selected liquid temperature: 20 °C</p> <p data-bbox="204 1041 695 1064">Density: 998.2 kg/m³</p> <p data-bbox="204 1099 316 1122">Technical:</p> <p data-bbox="204 1128 818 1151">Pump speed on which pump data are based: 2917 rpm</p> <p data-bbox="204 1158 667 1180">Rated flow: 167 l/min</p> <p data-bbox="204 1187 643 1209">Rated head: 83.2 m</p> <p data-bbox="204 1216 595 1238">Chambers: 10</p> <p data-bbox="204 1245 584 1267">Drainage back to tank: N</p> <p data-bbox="204 1274 647 1296">Pump orientation: Vertical</p> <p data-bbox="204 1303 636 1326">Code for shaft seal: HUUV</p> <p data-bbox="204 1332 659 1355">Approvals: CE,EAC</p> <p data-bbox="204 1361 759 1384">Curve tolerance: ISO9906:2012 3B</p> <p data-bbox="204 1420 309 1442">Materials:</p> <p data-bbox="204 1449 802 1543">Pump head: Cast iron EN 1561 EN-GJL-200 ASTM A48-25B</p> <p data-bbox="204 1550 724 1644">Impeller: Stainless steel EN 1.4301 AISI 304</p> <p data-bbox="204 1657 328 1680">Installation:</p> <p data-bbox="204 1686 632 1709">t max amb: 60 °C</p> <p data-bbox="204 1715 638 1738">Maximum operating pressure: 25 bar</p> <p data-bbox="204 1744 718 1767">Max pressure at stated temp: 25 bar / 90 °C</p> <p data-bbox="204 1774 748 1796">Type of connection: G internal thread</p> <p data-bbox="204 1803 632 1825">Size of outlet connection: 2 inch</p> <p data-bbox="204 1832 655 1854">Immersion depth: 388 mm</p> <p data-bbox="204 1861 638 1883">Flange size for motor: FT130</p> <p data-bbox="204 1919 363 1942">Electrical data:</p> <p data-bbox="204 1948 608 1971">Motor standard: IEC</p> <p data-bbox="204 1977 647 2000">Motor type: 112MC</p> <p data-bbox="204 2007 603 2029">IE Efficiency class: IE3</p> <p data-bbox="204 2036 624 2058">Rated power - P2: 4 kW</p>

Qty.	Description
1	<p>Mains frequency: 50 Hz Suitable for 50/60 Hz: N Rated voltage: 3 x 380-415D V Rated current: 7.9 A Starting current: 1000-1110 % Cos phi - power factor: 0.87-0.87 Rated speed: 2920-2940 rpm Efficiency: IE3 88,1% Motor efficiency at full load: 88.1 % Motor efficiency at 3/4 load: 88.6 % Motor efficiency at 1/2 load: 85.2 % Number of poles: 2 Enclosure class (IEC 34-5): 55 Dust/Jetting Insulation class (IEC 85): F Motor No: 85U15413</p> <p>Others: Terminal box position: 6 Minimum efficiency index, MEI ≥: 0.70 Net weight: 52.2 kg Gross weight: 55.8 kg Shipping volume: 0.114 m³ Danish VVS No.: 386966010 Country of origin: HU Custom tariff no.: 84137075</p>

On request MTR 10-10/10 A-W-A-HUUV 50 Hz

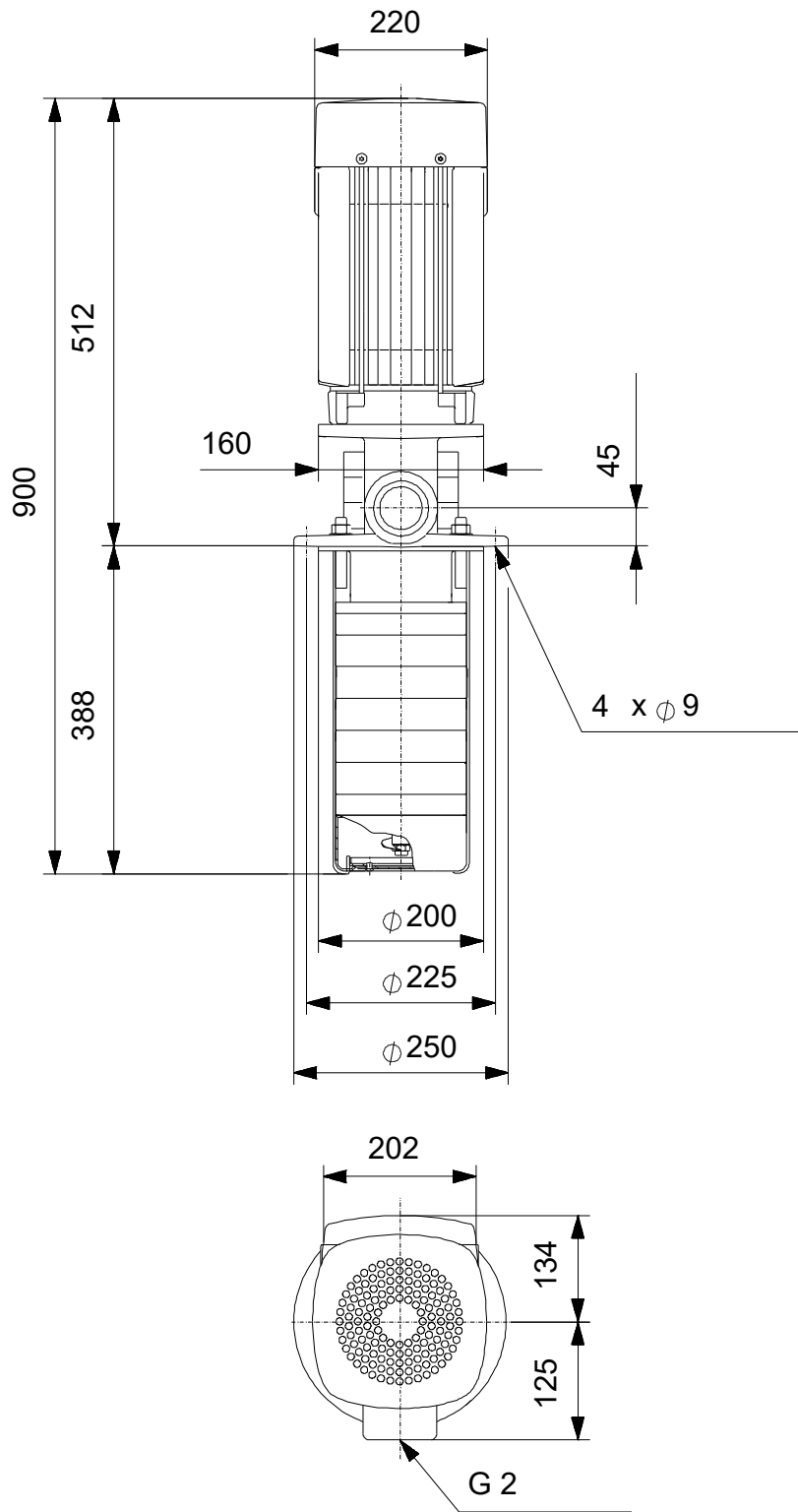


Description	Value
General information:	
Product name:	MTR 10-10/10 A-W-A-HUUV
Product No:	On request
EAN number:	On request
Technical:	
Pump speed on which pump data are based:	2917 rpm
Rated flow:	167 l/min
Rated head:	83.2 m
Chambers:	10
Impellers:	10
Number of reduced-diameter impellers:	0
Drainage back to tank:	N
Pump orientation:	Vertical
Code for shaft seal:	HUUV
Approvals:	CE,EAC
Curve tolerance:	ISO9906:2012 3B
Pump version:	A
Model:	A
Materials:	
Pump head:	Cast iron
Pump head:	EN 1561 EN-GJL-200
Pump head:	ASTM A48-25B
Impeller:	Stainless steel
Impeller:	EN 1.4301
Impeller:	AISI 304
Material code:	A
Installation:	
t max amb:	60 °C
Maximum operating pressure:	25 bar
Max pressure at stated temp:	25 bar / 90 °C
Type of connection:	G internal thread
Size of outlet connection:	2 inch
Immersion depth:	388 mm
Flange size for motor:	FT130
Connect code:	W
Liquid:	
Pumped liquid:	Water
Liquid temperature range:	-10 .. 90 °C
Selected liquid temperature:	20 °C
Density:	998.2 kg/m ³
Electrical data:	
Motor standard:	IEC
Motor type:	112MC
IE Efficiency class:	IE3
Rated power - P2:	4 kW
Mains frequency:	50 Hz
Suitable for 50/60 Hz:	N
Rated voltage:	3 x 380-415D V
Rated current:	7.9 A
Starting current:	1000-1110 %
Cos phi - power factor:	0.87-0.87
Rated speed:	2920-2940 rpm
Efficiency:	IE3 88,1%
Motor efficiency at full load:	88.1 %
Motor efficiency at 3/4 load:	88.6 %
Motor efficiency at 1/2 load:	85.2 %
Number of poles:	2
Enclosure class (IEC 34-5):	55 Dust/Jetting
Insulation class (IEC 85):	F
Built-in motor protection:	PTC
Motor No:	85U15413
Controls:	



Description	Value
Frequency converter:	NONE
Others:	
Terminal box position:	6
Minimum efficiency index, MEI ≥:	0.70
Net weight:	52.2 kg
Gross weight:	55.8 kg
Shipping volume:	0.114 m ³
Danish VVS No.:	386966010
Country of origin:	HU
Custom tariff no.:	84137075

On request MTR 10-10/10 A-W-A-HUUV 50 Hz



Note! All units are in [mm] unless others are stated.
Disclaimer: This simplified dimensional drawing does not show all details.

On request MTR 10-10/10 A-W-A-HUUV 50 Hz



IEC TP211 THERMALLY PROTECTED WHEN THE THERMISTORS ARE
CONNECTED TO AMPLIFIER RELAY FOR CONTROL OF MAIN SUPPLY
THERMISTORS PTC ACCORDING TO DIN 44082

Note! All units are in [mm] unless others are stated.

