
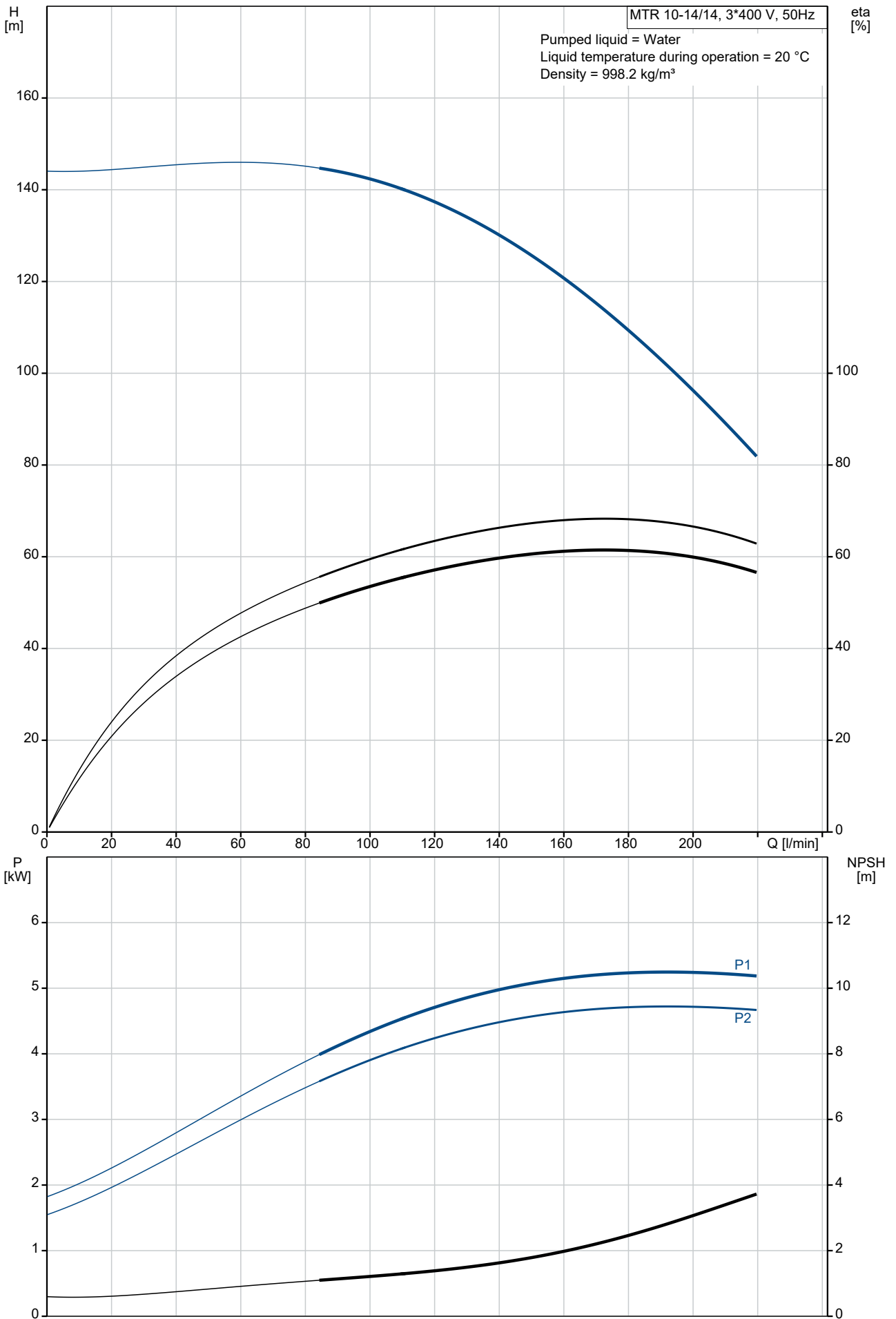


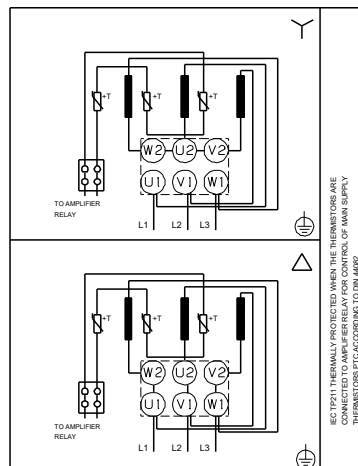
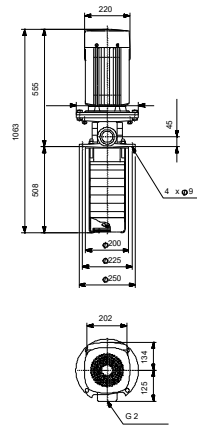
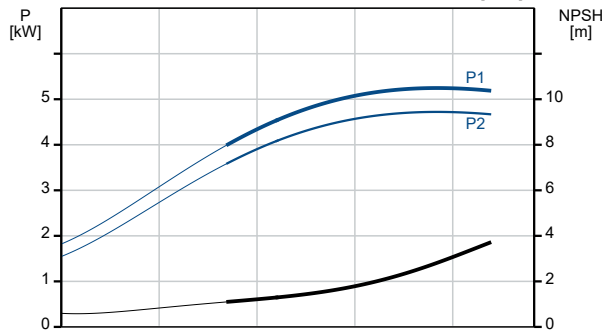
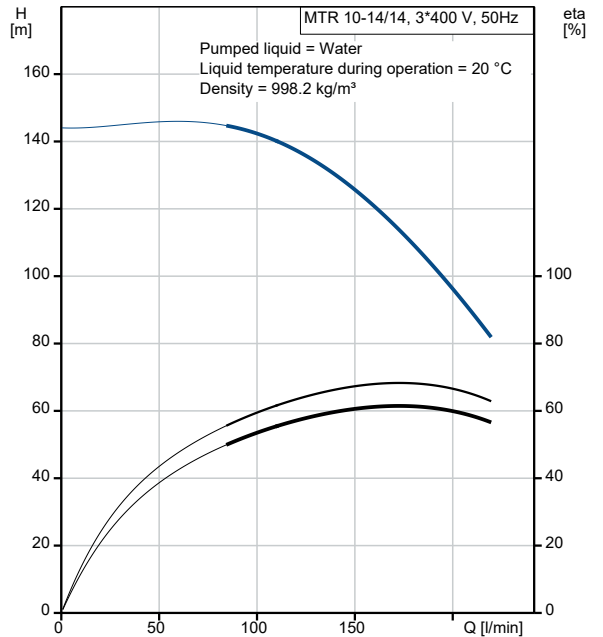
Qty.	Description
1	<p data-bbox="204 163 515 185">MTR 10-14/14 A-W-A-HUUV</p>  <p data-bbox="204 483 480 506">Product No.: On request</p> <p data-bbox="204 544 1430 618">Multistage, immersible, self-priming, centrifugal pump for vertical installation in tanks etc. The pump head and base are in cast iron – all other wetted parts are in stainless steel. The pump has the following characteristics:</p> <ul data-bbox="240 629 1117 745" style="list-style-type: none"> • Dimensions according to DIN 5440. • Impellers, intermediate chambers and spline shaft are made of Stainless steel. • Mechanical shaft seal according to EN 12756. • Power transmission via sintered metal split coupling. <p data-bbox="204 752 1430 797">A cartridge shaft seal ensures high reliability, safe handling, and easy access and service. The pump is fitted with a 3-phase, fan-cooled asynchronous motor.</p> <p data-bbox="204 835 300 857">Controls:</p> <p data-bbox="204 864 638 887">Frequency converter: NONE</p> <p data-bbox="204 925 276 947">Liquid:</p> <p data-bbox="204 954 695 1070">Pumped liquid: Water Liquid temperature range: -10 .. 90 °C Selected liquid temperature: 20 °C Density: 998.2 kg/m³</p> <p data-bbox="204 1104 316 1126">Technical:</p> <p data-bbox="204 1133 818 1395">Pump speed on which pump data are based: 2919 rpm Rated flow: 167 l/min Rated head: 116.7 m Chambers: 14 Drainage back to tank: N Pump orientation: Vertical Code for shaft seal: HUUV Approvals: CE,EAC Curve tolerance: ISO9906:2012 3B</p> <p data-bbox="204 1429 308 1451">Materials:</p> <p data-bbox="204 1458 802 1630">Pump head: Cast iron EN 1561 EN-GJL-200 ASTM A48-25B Impeller: Stainless steel EN 1.4301 AISI 304</p> <p data-bbox="204 1664 323 1686">Installation:</p> <p data-bbox="204 1693 746 1899">t max amb: 60 °C Maximum operating pressure: 25 bar Max pressure at stated temp: 25 bar / 90 °C Type of connection: G internal thread Size of outlet connection: 2 inch Immersion depth: 508 mm Flange size for motor: FF265</p> <p data-bbox="204 1933 363 1955">Electrical data:</p> <p data-bbox="204 1962 643 2078">Motor standard: IEC Motor type: 132SC IE Efficiency class: IE3 Rated power - P2: 5.5 kW</p>

Qty.	Description																																																
1	<table> <tr> <td>Mains frequency:</td> <td>50 Hz</td> </tr> <tr> <td>Suitable for 50/60 Hz:</td> <td>N</td> </tr> <tr> <td>Rated voltage:</td> <td>3 x 380-415D V</td> </tr> <tr> <td>Rated current:</td> <td>11 A</td> </tr> <tr> <td>Starting current:</td> <td>1080-1180 %</td> </tr> <tr> <td>Cos phi - power factor:</td> <td>0.87-0.82</td> </tr> <tr> <td>Rated speed:</td> <td>2920-2940 rpm</td> </tr> <tr> <td>Efficiency:</td> <td>IE3 89,2%</td> </tr> <tr> <td>Motor efficiency at full load:</td> <td>89.2 %</td> </tr> <tr> <td>Motor efficiency at 3/4 load:</td> <td>90.0 %</td> </tr> <tr> <td>Motor efficiency at 1/2 load:</td> <td>89.6 %</td> </tr> <tr> <td>Number of poles:</td> <td>2</td> </tr> <tr> <td>Enclosure class (IEC 34-5):</td> <td>55 Dust/Jetting</td> </tr> <tr> <td>Insulation class (IEC 85):</td> <td>F</td> </tr> <tr> <td>Motor No:</td> <td>85U17417</td> </tr> <tr> <td colspan="2">Others:</td> </tr> <tr> <td>Terminal box position:</td> <td>6</td> </tr> <tr> <td>Minimum efficiency index, MEI ≥:</td> <td>0.70</td> </tr> <tr> <td>Net weight:</td> <td>64.7 kg</td> </tr> <tr> <td>Gross weight:</td> <td>85.6 kg</td> </tr> <tr> <td>Shipping volume:</td> <td>0.279 m³</td> </tr> <tr> <td>Danish VVS No.:</td> <td>386966014</td> </tr> <tr> <td>Country of origin:</td> <td>HU</td> </tr> <tr> <td>Custom tariff no.:</td> <td>84137075</td> </tr> </table>	Mains frequency:	50 Hz	Suitable for 50/60 Hz:	N	Rated voltage:	3 x 380-415D V	Rated current:	11 A	Starting current:	1080-1180 %	Cos phi - power factor:	0.87-0.82	Rated speed:	2920-2940 rpm	Efficiency:	IE3 89,2%	Motor efficiency at full load:	89.2 %	Motor efficiency at 3/4 load:	90.0 %	Motor efficiency at 1/2 load:	89.6 %	Number of poles:	2	Enclosure class (IEC 34-5):	55 Dust/Jetting	Insulation class (IEC 85):	F	Motor No:	85U17417	Others:		Terminal box position:	6	Minimum efficiency index, MEI ≥:	0.70	Net weight:	64.7 kg	Gross weight:	85.6 kg	Shipping volume:	0.279 m ³	Danish VVS No.:	386966014	Country of origin:	HU	Custom tariff no.:	84137075
Mains frequency:	50 Hz																																																
Suitable for 50/60 Hz:	N																																																
Rated voltage:	3 x 380-415D V																																																
Rated current:	11 A																																																
Starting current:	1080-1180 %																																																
Cos phi - power factor:	0.87-0.82																																																
Rated speed:	2920-2940 rpm																																																
Efficiency:	IE3 89,2%																																																
Motor efficiency at full load:	89.2 %																																																
Motor efficiency at 3/4 load:	90.0 %																																																
Motor efficiency at 1/2 load:	89.6 %																																																
Number of poles:	2																																																
Enclosure class (IEC 34-5):	55 Dust/Jetting																																																
Insulation class (IEC 85):	F																																																
Motor No:	85U17417																																																
Others:																																																	
Terminal box position:	6																																																
Minimum efficiency index, MEI ≥:	0.70																																																
Net weight:	64.7 kg																																																
Gross weight:	85.6 kg																																																
Shipping volume:	0.279 m ³																																																
Danish VVS No.:	386966014																																																
Country of origin:	HU																																																
Custom tariff no.:	84137075																																																

On request MTR 10-14/14 A-W-A-HUUV 50 Hz

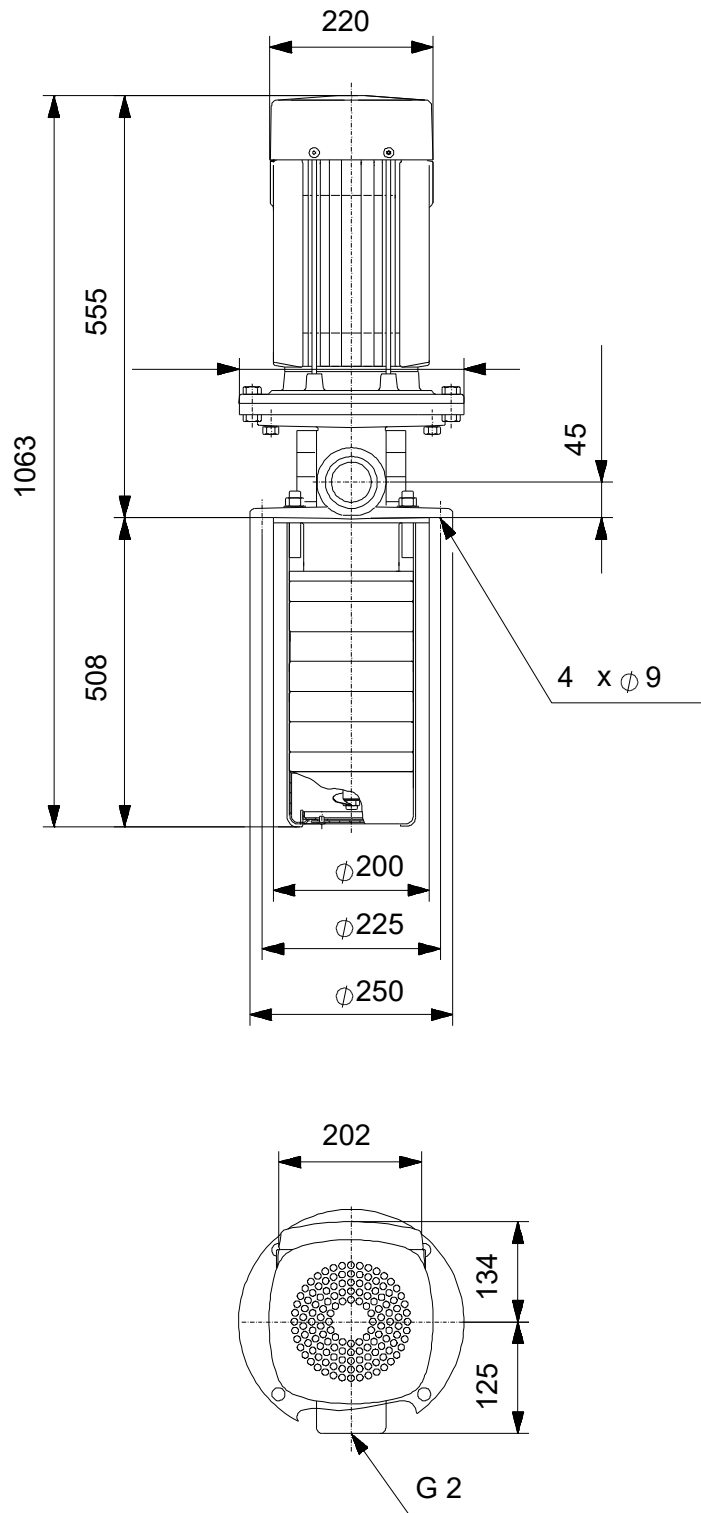


Description	Value
General information:	
Product name:	MTR 10-14/14 A-W-A-HUUV
Product No:	On request
EAN number:	On request
Technical:	
Pump speed on which pump data are based:	2919 rpm
Rated flow:	167 l/min
Rated head:	116.7 m
Chambers:	14
Impellers:	14
Number of reduced-diameter impellers:	0
Drainage back to tank:	N
Pump orientation:	Vertical
Code for shaft seal:	HUUV
Approvals:	CE,EAC
Curve tolerance:	ISO9906:2012 3B
Pump version:	A
Model:	A
Materials:	
Pump head:	Cast iron
Pump head:	EN 1561 EN-GJL-200
Pump head:	ASTM A48-25B
Impeller:	Stainless steel
Impeller:	EN 1.4301
Impeller:	AISI 304
Material code:	A
Installation:	
t max amb:	60 °C
Maximum operating pressure:	25 bar
Max pressure at stated temp:	25 bar / 90 °C
Type of connection:	G internal thread
Size of outlet connection:	2 inch
Immersion depth:	508 mm
Flange size for motor:	FF265
Connect code:	W
Liquid:	
Pumped liquid:	Water
Liquid temperature range:	-10 .. 90 °C
Selected liquid temperature:	20 °C
Density:	998.2 kg/m ³
Electrical data:	
Motor standard:	IEC
Motor type:	132SC
IE Efficiency class:	IE3
Rated power - P2:	5.5 kW
Mains frequency:	50 Hz
Suitable for 50/60 Hz:	N
Rated voltage:	3 x 380-415D V
Rated current:	11 A
Starting current:	1080-1180 %
Cos phi - power factor:	0.87-0.82
Rated speed:	2920-2940 rpm
Efficiency:	IE3 89,2%
Motor efficiency at full load:	89.2 %
Motor efficiency at 3/4 load:	90.0 %
Motor efficiency at 1/2 load:	89.6 %
Number of poles:	2
Enclosure class (IEC 34-5):	55 Dust/Jetting
Insulation class (IEC 85):	F
Built-in motor protection:	PTC
Motor No:	85U17417
Controls:	



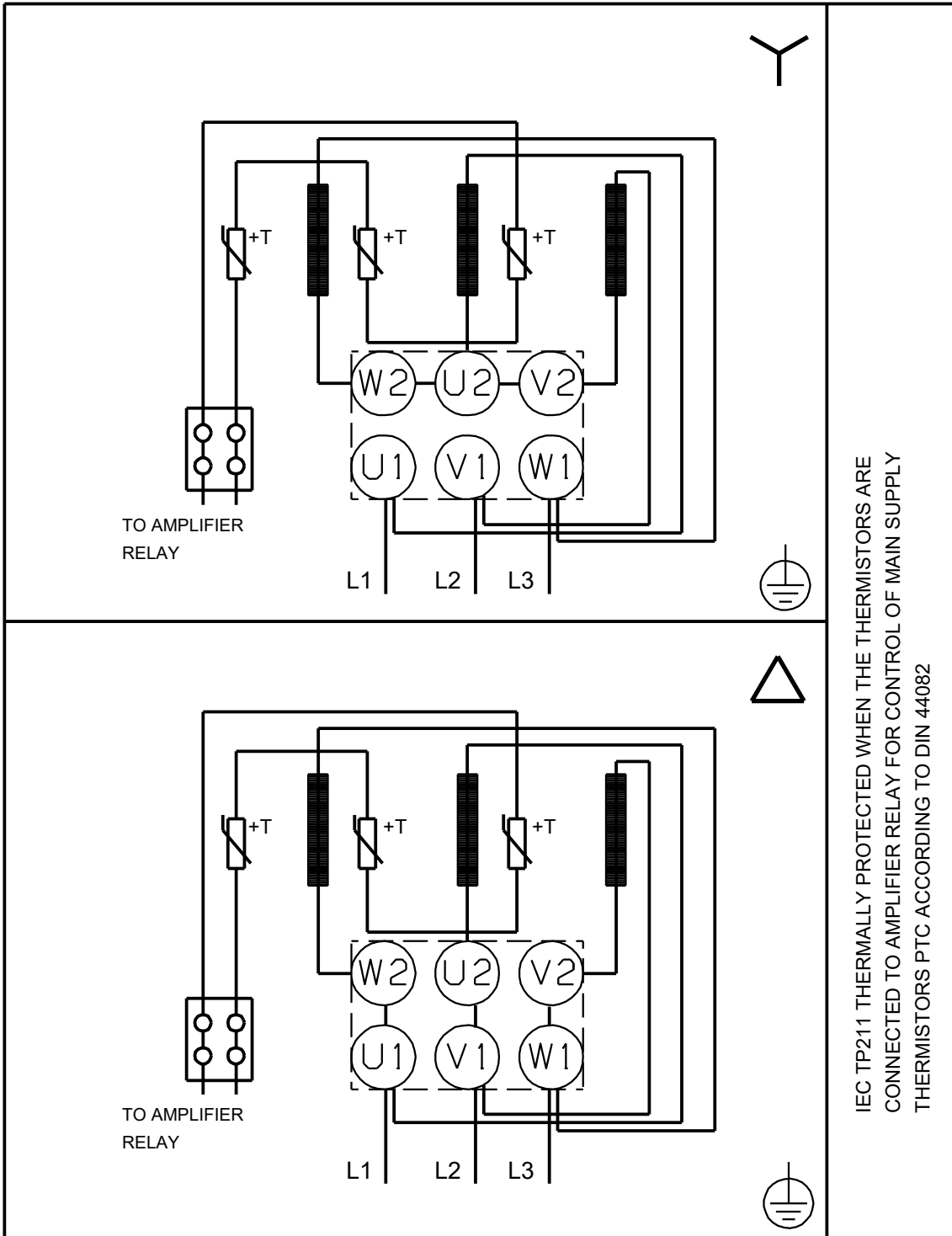
Description	Value
Frequency converter:	NONE
Others:	
Terminal box position:	6
Minimum efficiency index, MEI ≥:	0.70
Net weight:	64.7 kg
Gross weight:	85.6 kg
Shipping volume:	0.279 m ³
Danish VVS No.:	386966014
Country of origin:	HU
Custom tariff no.:	84137075

On request MTR 10-14/14 A-W-A-HUUV 50 Hz



Note! All units are in [mm] unless others are stated.
Disclaimer: This simplified dimensional drawing does not show all details.

On request MTR 10-14/14 A-W-A-HUUV 50 Hz



IEC TP211 THERMALLY PROTECTED WHEN THE THERMISTORS ARE
 CONNECTED TO AMPLIFIER RELAY FOR CONTROL OF MAIN SUPPLY
 THERMISTORS PTC ACCORDING TO DIN 44082

Note! All units are in [mm] unless others are stated.

