
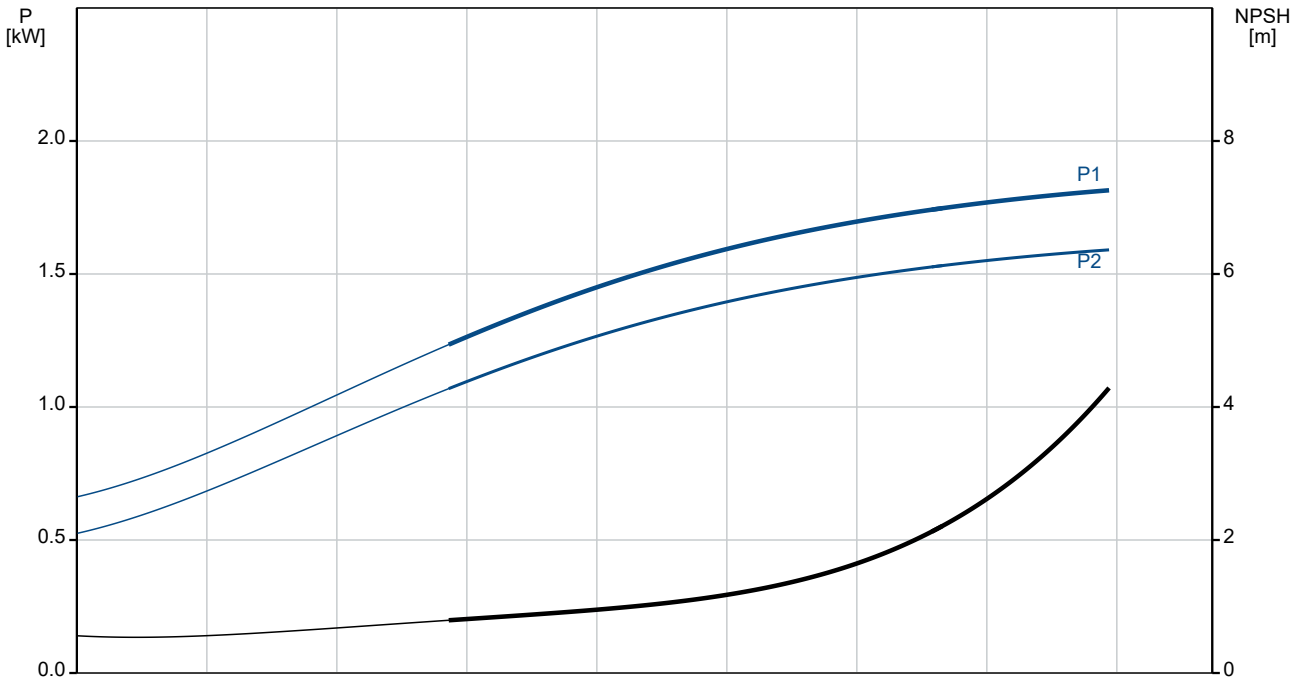
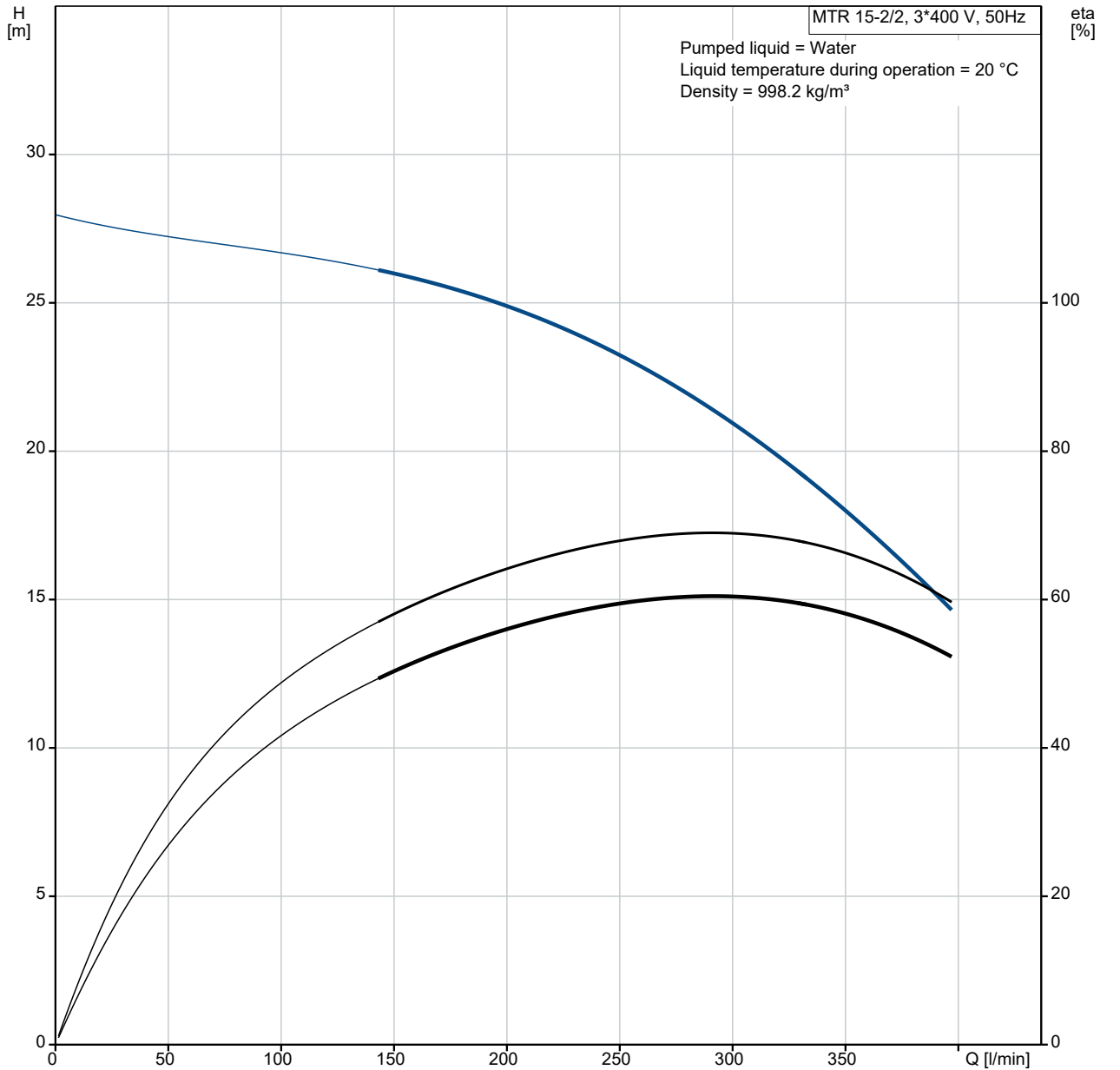


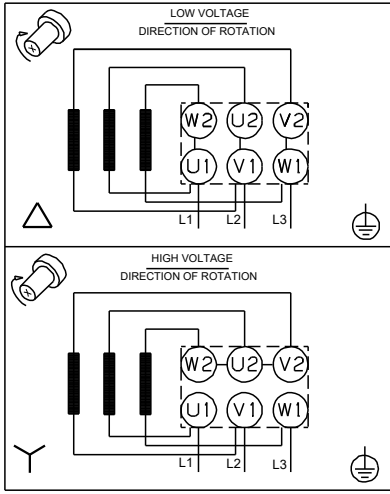
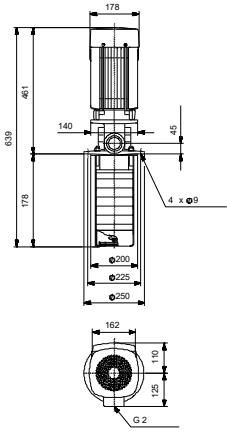
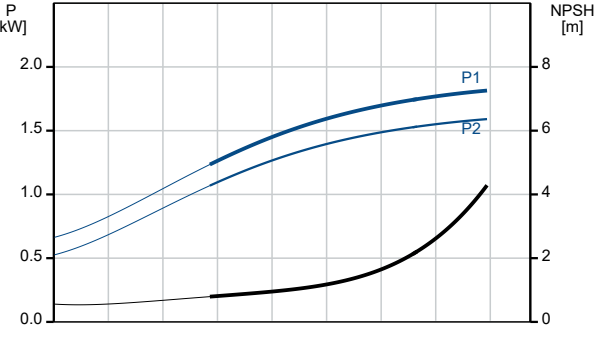
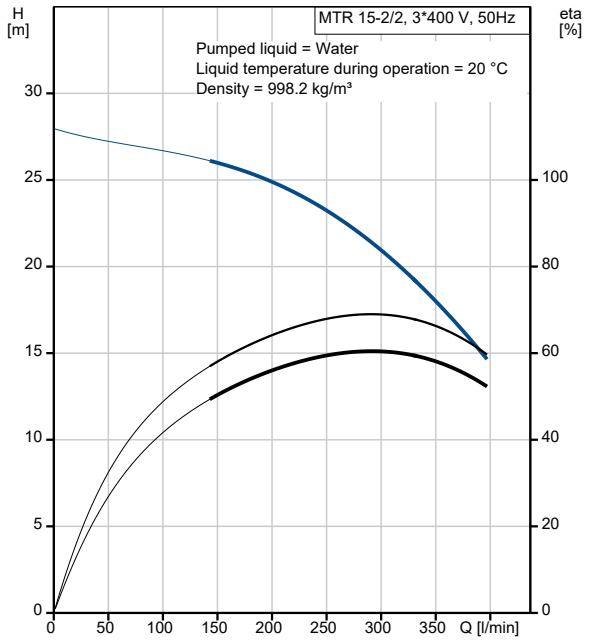
Qty.	Description
1	<p data-bbox="199 159 491 190">MTR 15-2/2 A-W-A-HUUV</p>  <p data-bbox="199 481 480 512">Product No.: On request</p> <p data-bbox="199 542 1430 622">Multistage, immersible, self-priming, centrifugal pump for vertical installation in tanks etc. The pump head and base are in cast iron – all other wetted parts are in stainless steel. The pump has the following characteristics:</p> <ul data-bbox="240 629 1117 745" style="list-style-type: none"> • Dimensions according to DIN 5440. • Impellers, intermediate chambers and spline shaft are made of Stainless steel. • Mechanical shaft seal according to EN 12756. • Power transmission via sintered metal split coupling. <p data-bbox="199 748 1430 801">A cartridge shaft seal ensures high reliability, safe handling, and easy access and service. The pump is fitted with a 3-phase, fan-cooled asynchronous motor.</p> <p data-bbox="199 835 304 866">Controls:</p> <p data-bbox="199 866 638 898">Frequency converter: NONE</p> <p data-bbox="199 925 277 956">Liquid:</p> <p data-bbox="199 956 697 1077">Pumped liquid: Water Liquid temperature range: -10 .. 90 °C Selected liquid temperature: 20 °C Density: 998.2 kg/m³</p> <p data-bbox="199 1104 316 1135">Technical:</p> <p data-bbox="199 1135 820 1400">Pump speed on which pump data are based: 2899 rpm Rated flow: 283 l/min Rated head: 23 m Chambers: 2 Drainage back to tank: N Pump orientation: Vertical Code for shaft seal: HUUV Approvals: CE,EAC Curve tolerance: ISO9906:2012 3B</p> <p data-bbox="199 1429 309 1460">Materials:</p> <p data-bbox="199 1460 802 1637">Pump head: Cast iron EN 1561 EN-GJL-200 ASTM A48-25B Impeller: Stainless steel EN 1.4301 AISI 304</p> <p data-bbox="199 1666 328 1697">Installation:</p> <p data-bbox="199 1697 750 1906">t max amb: 60 °C Maximum operating pressure: 25 bar Max pressure at stated temp: 25 bar / 90 °C Type of connection: G internal thread Size of outlet connection: 2 inch Immersion depth: 178 mm Flange size for motor: FT115</p> <p data-bbox="199 1935 363 1966">Electrical data:</p> <p data-bbox="199 1966 644 2087">Motor standard: IEC Motor type: 90LE IE Efficiency class: IE3 Rated power - P2: 2.2 kW</p>

Qty.	Description																																														
1	<table> <tr> <td>Mains frequency:</td> <td>50 Hz</td> </tr> <tr> <td>Suitable for 50/60 Hz:</td> <td>N</td> </tr> <tr> <td>Rated voltage:</td> <td>3 x 380-415D V</td> </tr> <tr> <td>Rated current:</td> <td>4.65 A</td> </tr> <tr> <td>Starting current:</td> <td>840-920 %</td> </tr> <tr> <td>Cos phi - power factor:</td> <td>0.86-0.80</td> </tr> <tr> <td>Rated speed:</td> <td>2890-2910 rpm</td> </tr> <tr> <td>Efficiency:</td> <td>IE3 85,9%</td> </tr> <tr> <td>Motor efficiency at full load:</td> <td>85.9-85.9 %</td> </tr> <tr> <td>Motor efficiency at 3/4 load:</td> <td>88.2 %</td> </tr> <tr> <td>Motor efficiency at 1/2 load:</td> <td>88.0 %</td> </tr> <tr> <td>Number of poles:</td> <td>2</td> </tr> <tr> <td>Enclosure class (IEC 34-5):</td> <td>55 Dust/Jetting</td> </tr> <tr> <td>Insulation class (IEC 85):</td> <td>F</td> </tr> <tr> <td>Motor No:</td> <td>85U11908</td> </tr> <tr> <td colspan="2">Others:</td> </tr> <tr> <td>Terminal box position:</td> <td>6</td> </tr> <tr> <td>Minimum efficiency index, MEI ≥:</td> <td>0.70</td> </tr> <tr> <td>Net weight:</td> <td>35.9 kg</td> </tr> <tr> <td>Gross weight:</td> <td>39.4 kg</td> </tr> <tr> <td>Shipping volume:</td> <td>0.081 m³</td> </tr> <tr> <td>Country of origin:</td> <td>HU</td> </tr> <tr> <td>Custom tariff no.:</td> <td>84137075</td> </tr> </table>	Mains frequency:	50 Hz	Suitable for 50/60 Hz:	N	Rated voltage:	3 x 380-415D V	Rated current:	4.65 A	Starting current:	840-920 %	Cos phi - power factor:	0.86-0.80	Rated speed:	2890-2910 rpm	Efficiency:	IE3 85,9%	Motor efficiency at full load:	85.9-85.9 %	Motor efficiency at 3/4 load:	88.2 %	Motor efficiency at 1/2 load:	88.0 %	Number of poles:	2	Enclosure class (IEC 34-5):	55 Dust/Jetting	Insulation class (IEC 85):	F	Motor No:	85U11908	Others:		Terminal box position:	6	Minimum efficiency index, MEI ≥:	0.70	Net weight:	35.9 kg	Gross weight:	39.4 kg	Shipping volume:	0.081 m ³	Country of origin:	HU	Custom tariff no.:	84137075
Mains frequency:	50 Hz																																														
Suitable for 50/60 Hz:	N																																														
Rated voltage:	3 x 380-415D V																																														
Rated current:	4.65 A																																														
Starting current:	840-920 %																																														
Cos phi - power factor:	0.86-0.80																																														
Rated speed:	2890-2910 rpm																																														
Efficiency:	IE3 85,9%																																														
Motor efficiency at full load:	85.9-85.9 %																																														
Motor efficiency at 3/4 load:	88.2 %																																														
Motor efficiency at 1/2 load:	88.0 %																																														
Number of poles:	2																																														
Enclosure class (IEC 34-5):	55 Dust/Jetting																																														
Insulation class (IEC 85):	F																																														
Motor No:	85U11908																																														
Others:																																															
Terminal box position:	6																																														
Minimum efficiency index, MEI ≥:	0.70																																														
Net weight:	35.9 kg																																														
Gross weight:	39.4 kg																																														
Shipping volume:	0.081 m ³																																														
Country of origin:	HU																																														
Custom tariff no.:	84137075																																														

On request MTR 15-2/2 A-W-A-HUUV 50 Hz

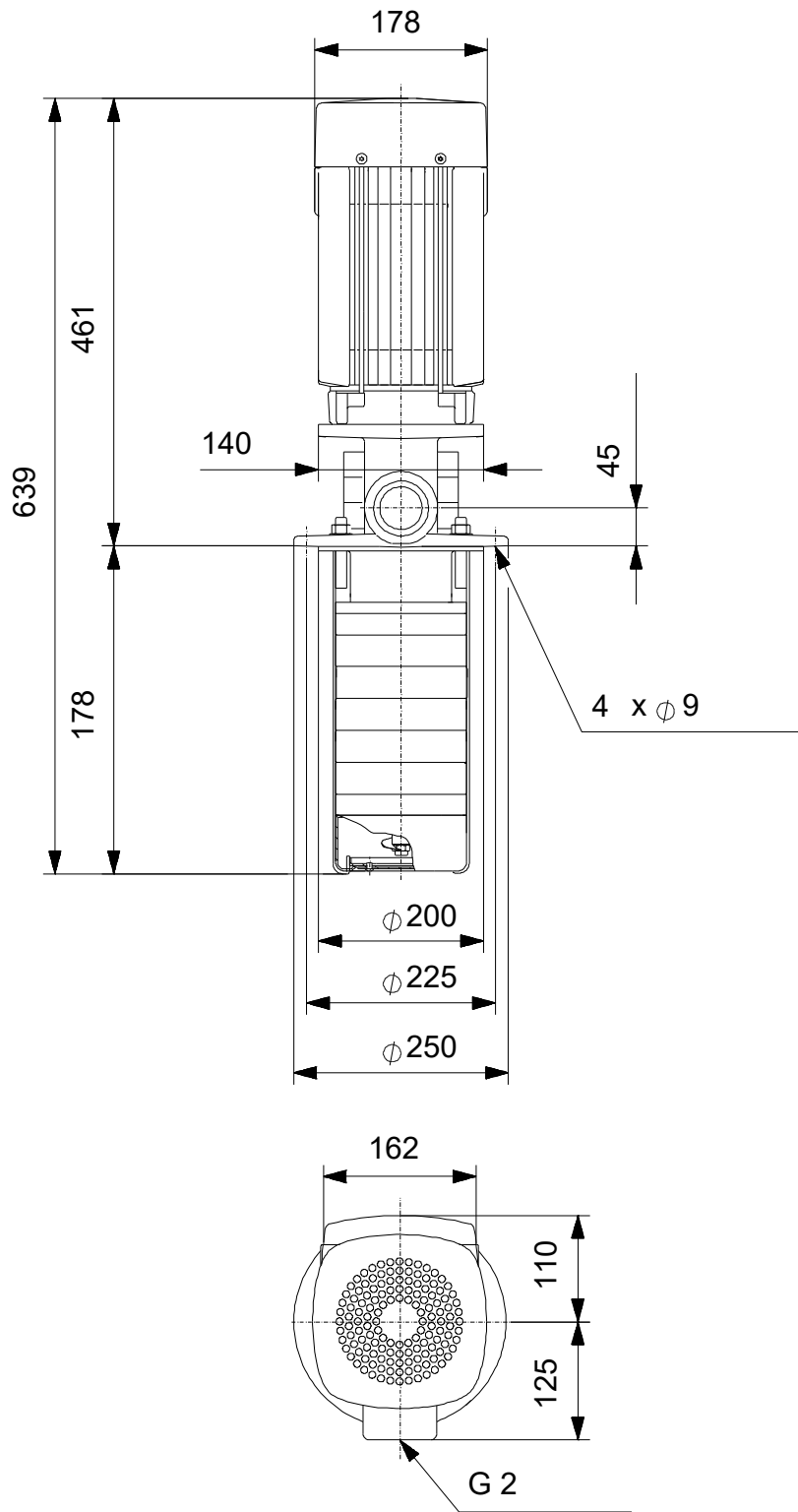


Description	Value
General information:	
Product name:	MTR 15-2/2 A-W-A-HUUUV
Product No:	On request
EAN number:	On request
Technical:	
Pump speed on which pump data are based:	2899 rpm
Rated flow:	283 l/min
Rated head:	23 m
Chambers:	2
Impellers:	2
Number of reduced-diameter impellers:	0
Drainage back to tank:	N
Pump orientation:	Vertical
Code for shaft seal:	HUUUV
Approvals:	CE,EAC
Curve tolerance:	ISO9906:2012 3B
Pump version:	A
Model:	A
Materials:	
Pump head:	Cast iron
Pump head:	EN 1561 EN-GJL-200
Pump head:	ASTM A48-25B
Impeller:	Stainless steel
Impeller:	EN 1.4301
Impeller:	AISI 304
Material code:	A
Installation:	
t max amb:	60 °C
Maximum operating pressure:	25 bar
Max pressure at stated temp:	25 bar / 90 °C
Type of connection:	G internal thread
Size of outlet connection:	2 inch
Immersion depth:	178 mm
Flange size for motor:	FT115
Connect code:	W </td
Liquid:	
Pumped liquid:	Water
Liquid temperature range:	-10 .. 90 °C
Selected liquid temperature:	20 °C
Density:	998.2 kg/m ³
Electrical data:	
Motor standard:	IEC
Motor type:	90LE
IE Efficiency class:	IE3
Rated power - P2:	2.2 kW
Mains frequency:	50 Hz
Suitable for 50/60 Hz:	N
Rated voltage:	3 x 380-415D V
Rated current:	4.65 A
Starting current:	840-920 %
Cos phi - power factor:	0.86-0.80
Rated speed:	2890-2910 rpm
Efficiency:	IE3 85,9%
Motor efficiency at full load:	85.9-85.9 %
Motor efficiency at 3/4 load:	88.2 %
Motor efficiency at 1/2 load:	88.0 %
Number of poles:	2
Enclosure class (IEC 34-5):	55 Dust/Jetting
Insulation class (IEC 85):	F
Built-in motor protection:	NONE
Motor No:	85U11908
Controls:	



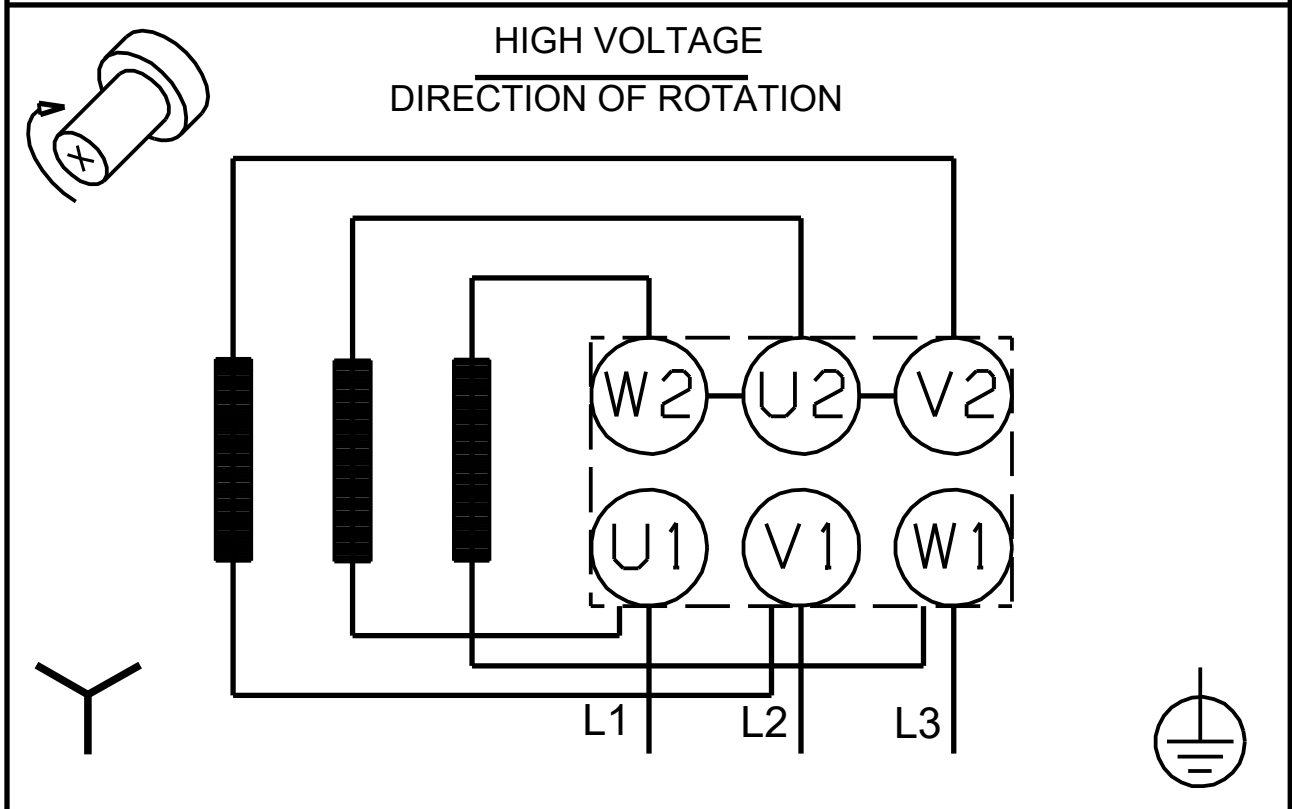
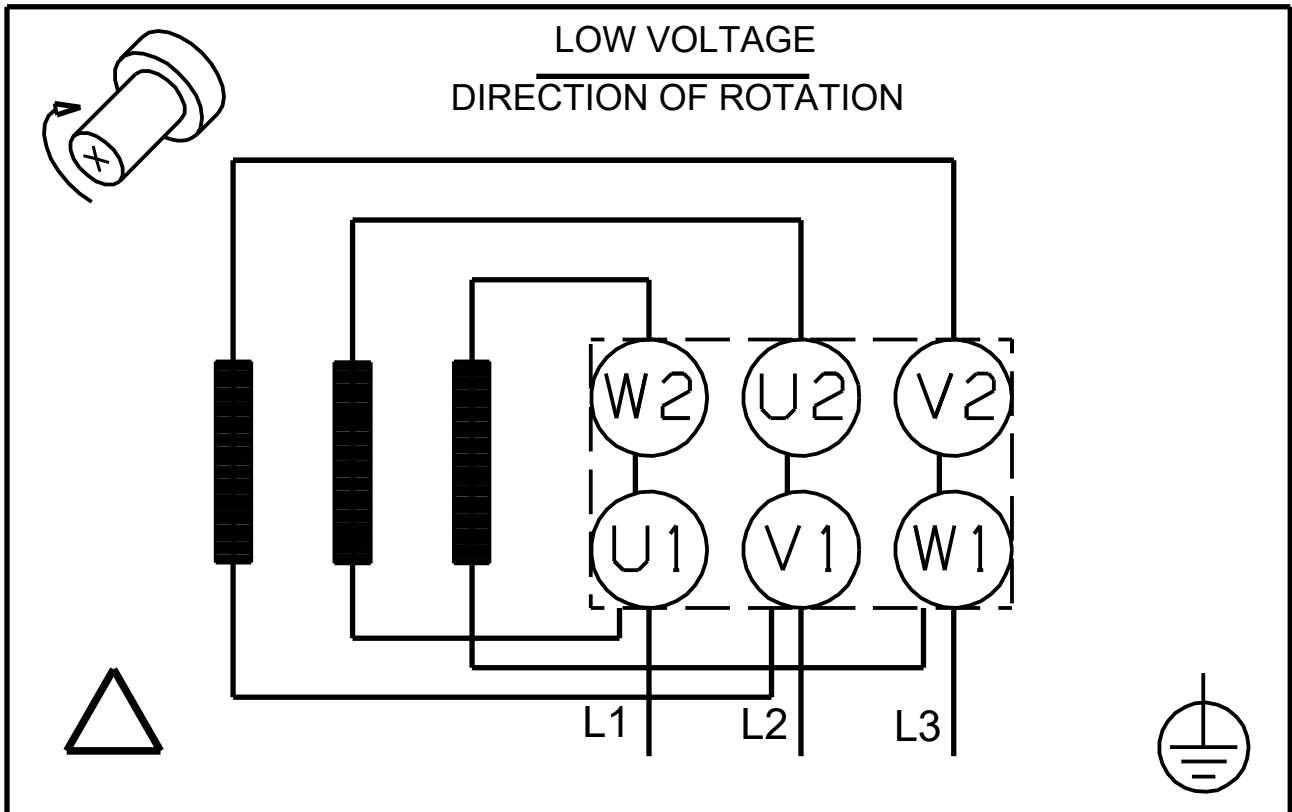
Description	Value
Frequency converter:	NONE
Others:	
Terminal box position:	6
Minimum efficiency index, MEI ≥:	0.70
Net weight:	35.9 kg
Gross weight:	39.4 kg
Shipping volume:	0.081 m ³
Country of origin:	HU
Custom tariff no.:	84137075

On request MTR 15-2/2 A-W-A-HUUV 50 Hz



Note! All units are in [mm] unless others are stated.
Disclaimer: This simplified dimensional drawing does not show all details.

On request MTR 15-2/2 A-W-A-HUUV 50 Hz



Note! All units are in [mm] unless others are stated.

